

Description

This adapter consists of a SMA female on one end and a TNC female on the other. It is typically used to convert a SMA male cable to a TNC female cable.

Physical Characteristics

Connector Plating Nickel

Connectors

Connector A SMA Female

Connector B TNC Female

Performance

Impedance 50 Ohm

Product Support

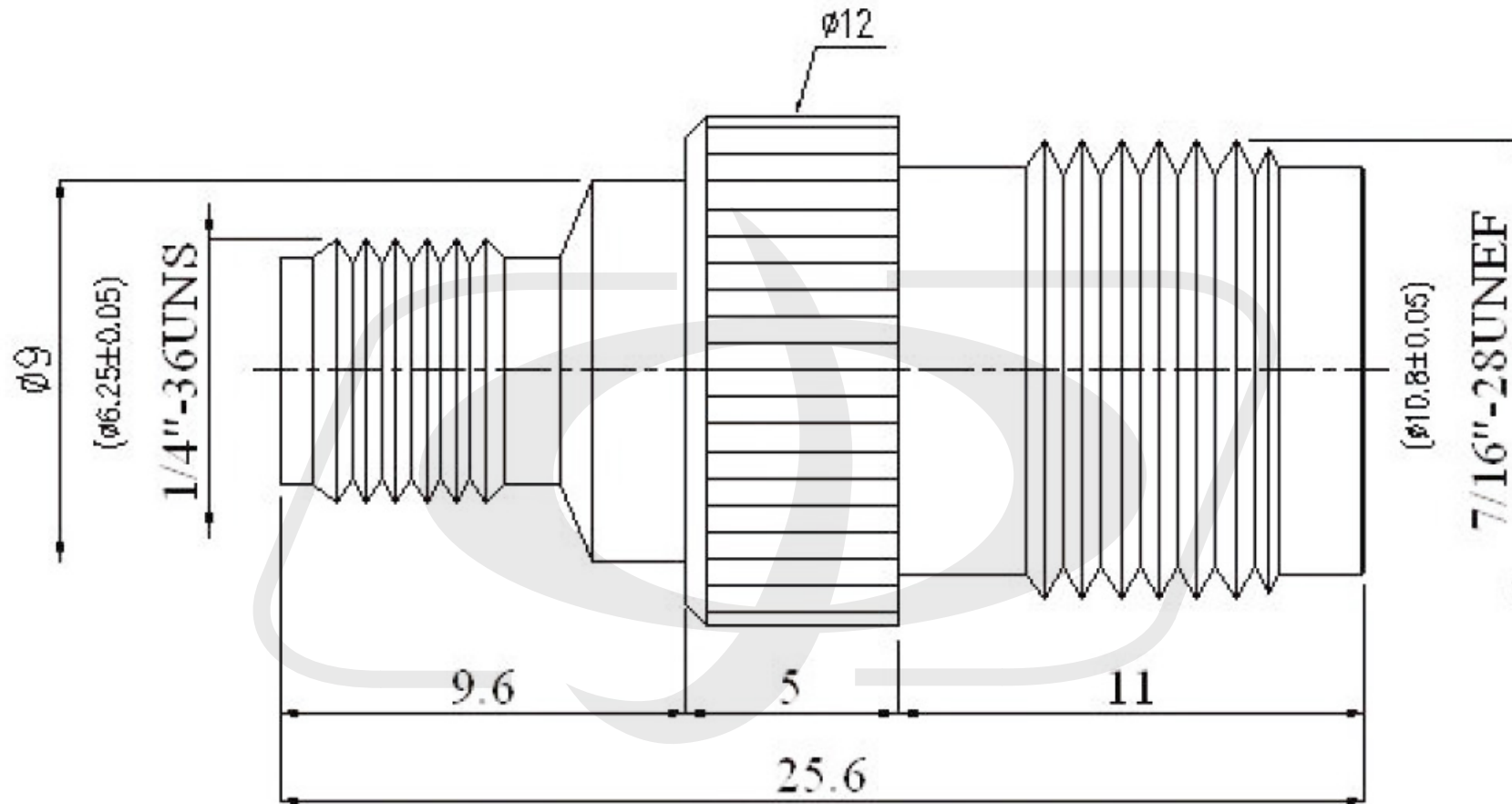
Country of Origin Taiwan

Packaging Information

Package Quantity 1

Product Weight 0.02lbs





Tolerance

x.	± 0.2
xx.	± 0.1
xxx.	± 0.05