

Description

This adapter consists of a SMA female on one end and a SMA female on the other. It is typically used to join 2 SMA male cables together.

Physical Characteristics

Connector Plating Nickel Plated Brass

Connectors

Connector A SMA Female

Connector B SMA Female

Performance

Impedance 50 Ohm

Product Support

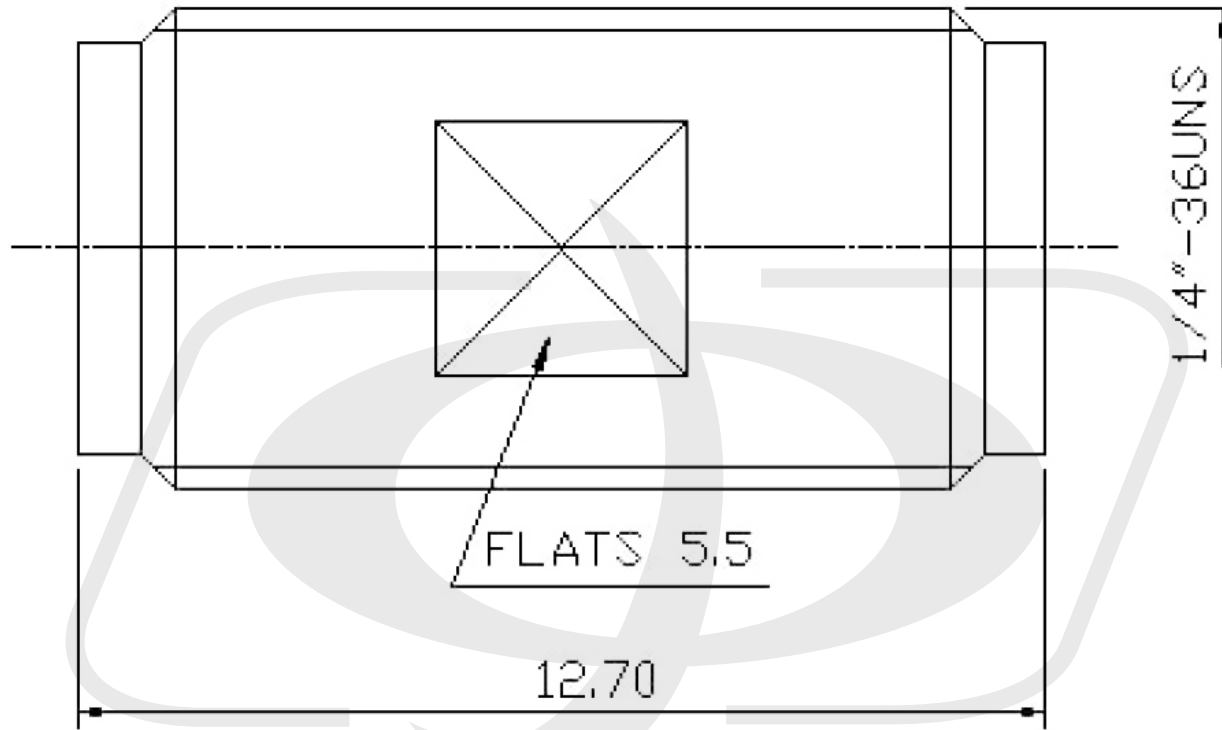
Country of Origin Taiwan

Packaging Information

Package Quantity 1

Product Weight 0.02lbs





Tolerance

x.	±0.2
xx.	±0.1
xxx.	±0.05
Angle	±0.5