



SMA Female to 2 x SMA Female - Tee Adapter

AD-11-FFF - Specifications

Description

This adapter consists of a SMA female on one end and 2 x SMA female on the other. It is typically used to convert a SMA male cable to dual SMA male cables.

Physical Characteristics

Connector Plating Nickel Plated Brass

Body Style Tee Shaped

Connectors

Connector A SMA Female

Connector B SMA Female

Connector C SMA Female

Performance

Impedance 50 Ohm

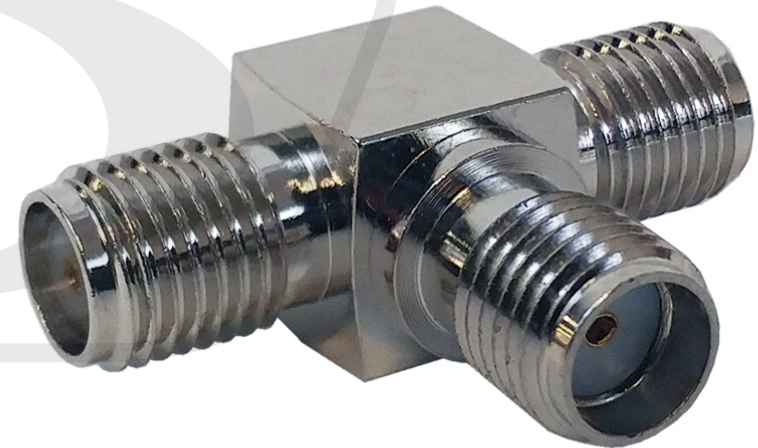
Product Support

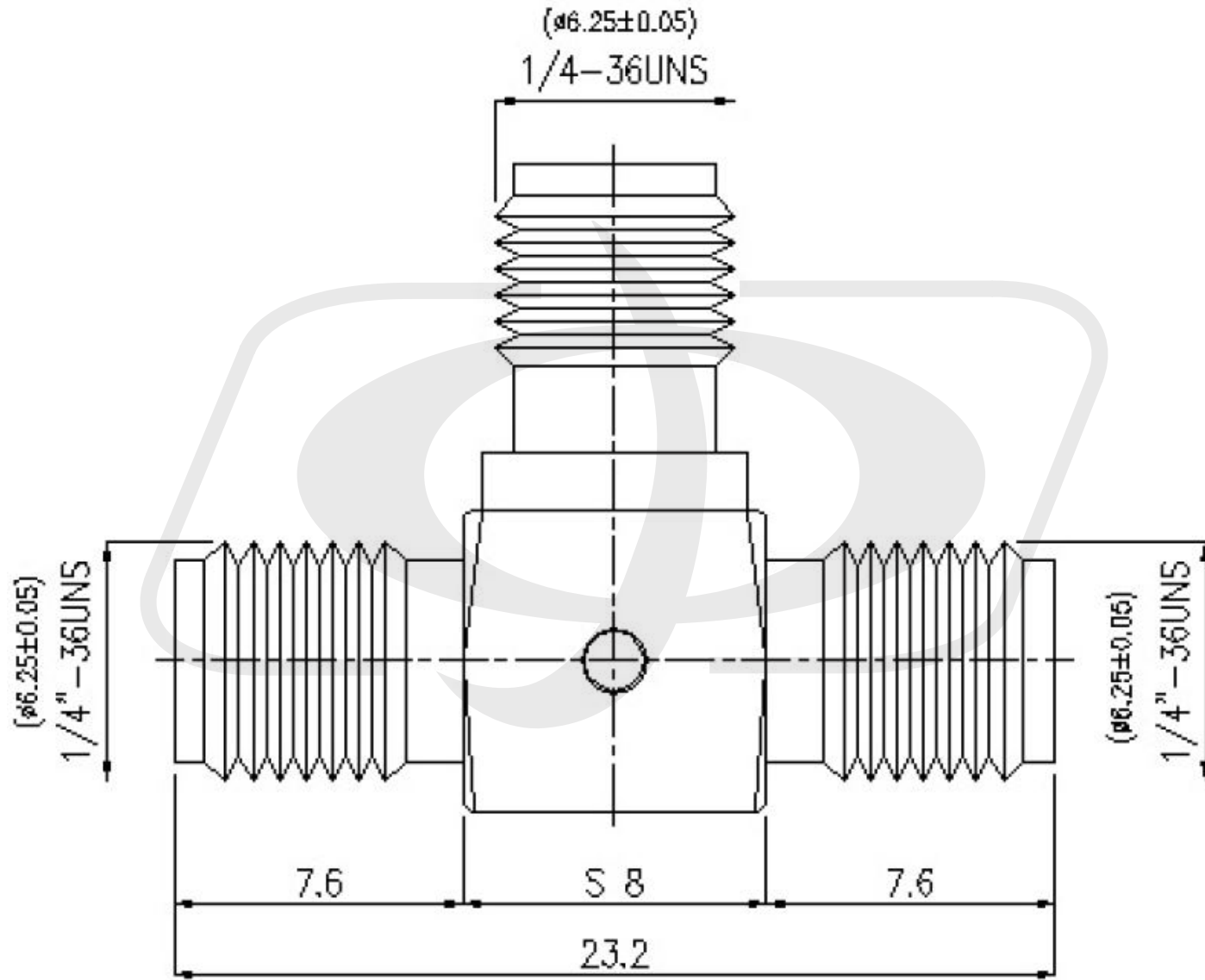
Country of Origin Taiwan

Packaging Information

Package Quantity 1

Product Weight 0.02 lbs





Tolerance

x.	±0.2
xx.	±0.1
xxx.	±0.05
Angle	±0.5°