

Description

This adapter consists of a SMA male on one end and a SMA-RP female on the other. It is typically used to convert a SMA-RP male to a SMA male cable.

Physical Characteristics

Connector Plating Nickel

Connectors

Connector A SMA Male

Connector B SMA-RP Female

Performance

Impedance 50 Ohm

Product Support

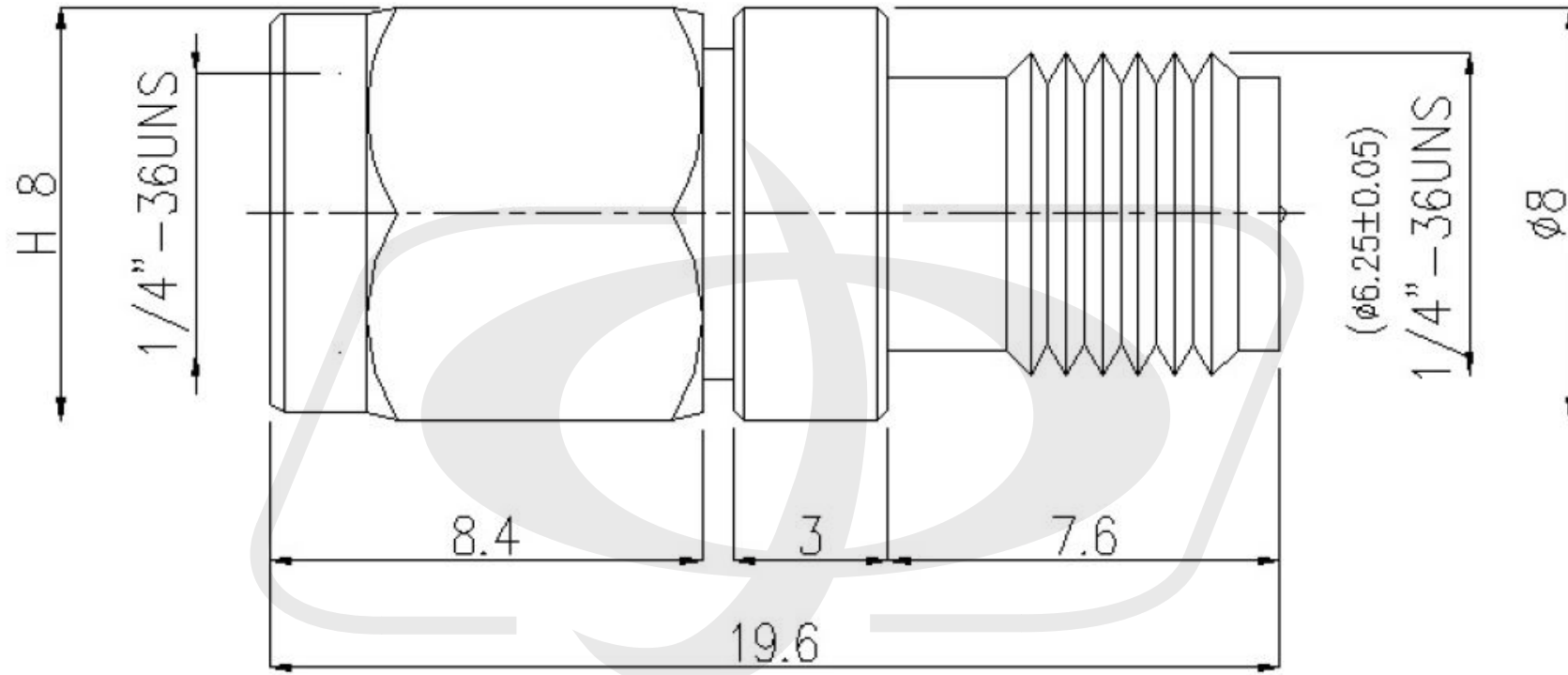
Country of Origin Taiwan

Packaging Information

Package Quantity 1

Product Weight 0.02lbs





Tolerance

x.	± 0.2
xx.	± 0.1
xxx.	± 0.05
Angle	$\pm 0.5^\circ$