

Description

This adapter consists of a N-Type female on one end and a BNC male on the other. This adapter is typically used to convert a N-Type male cable to a BNC male cable.

Physical Characteristics

Connector Plating Nickel

Connectors

Connector A N-Type Female

Connector B BNC Male

Performance

Impedance 50 Ohm

Product Support

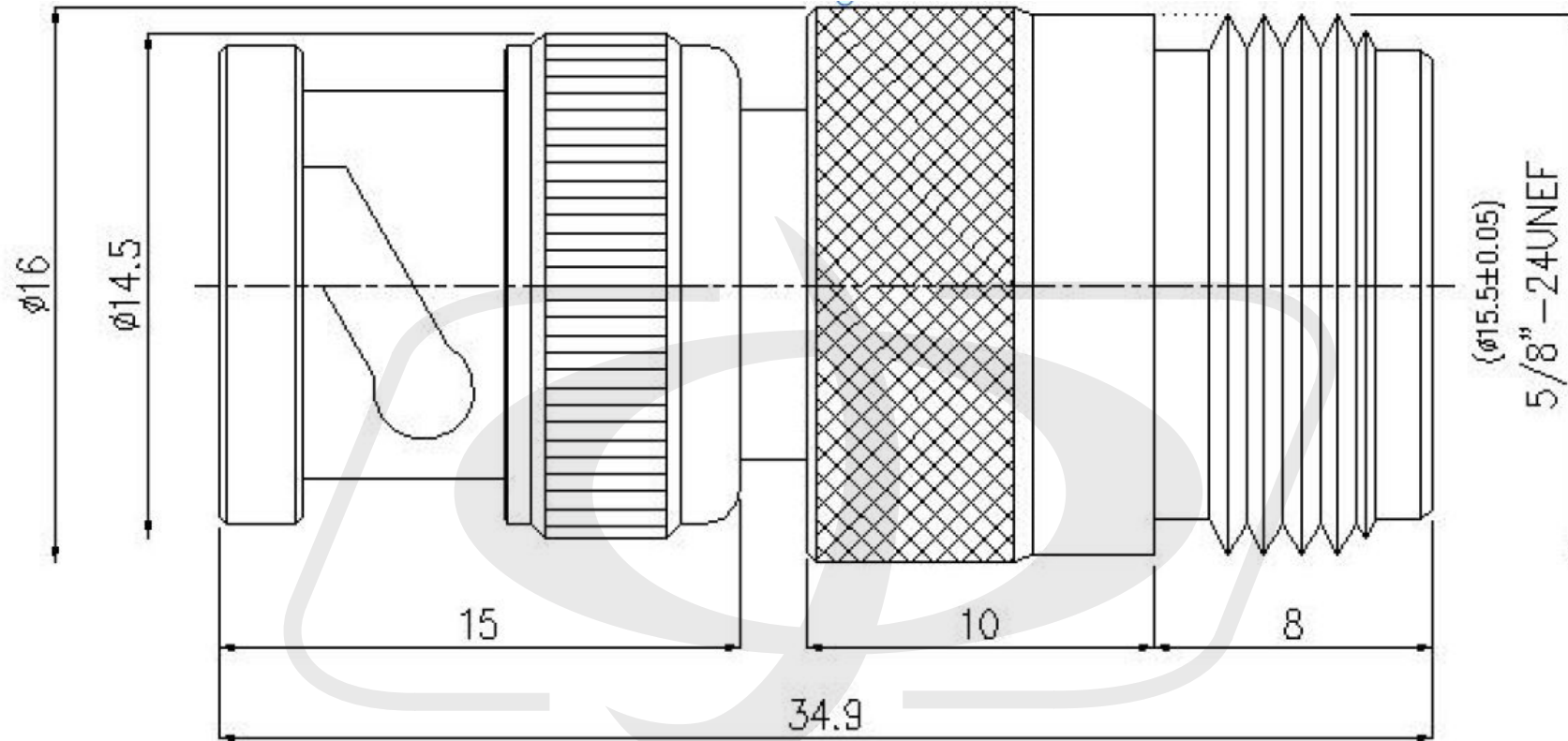
Country of Origin Taiwan

Packaging Information

Package Quantity 1

Product Weight 0.02lbs





Tolerance

x.	± 0.2
xx.	± 0.1
xxx.	± 0.05
Angle	$\pm 0.5^\circ$