



# N-Type Male to UHF Female Adapter

AD-0051 - Specifications

## Description

This adapter consists of a N-Type male on one end and a UHF female on the other. It is typically used to convert a UHF male cable to a N-Type male cable.

## Physical Characteristics

Connector Plating Nickel

## Connectors

Connector A N-Type Male

Connector B UHF Female

## Performance

Impedance 50 Ohm

## Product Support

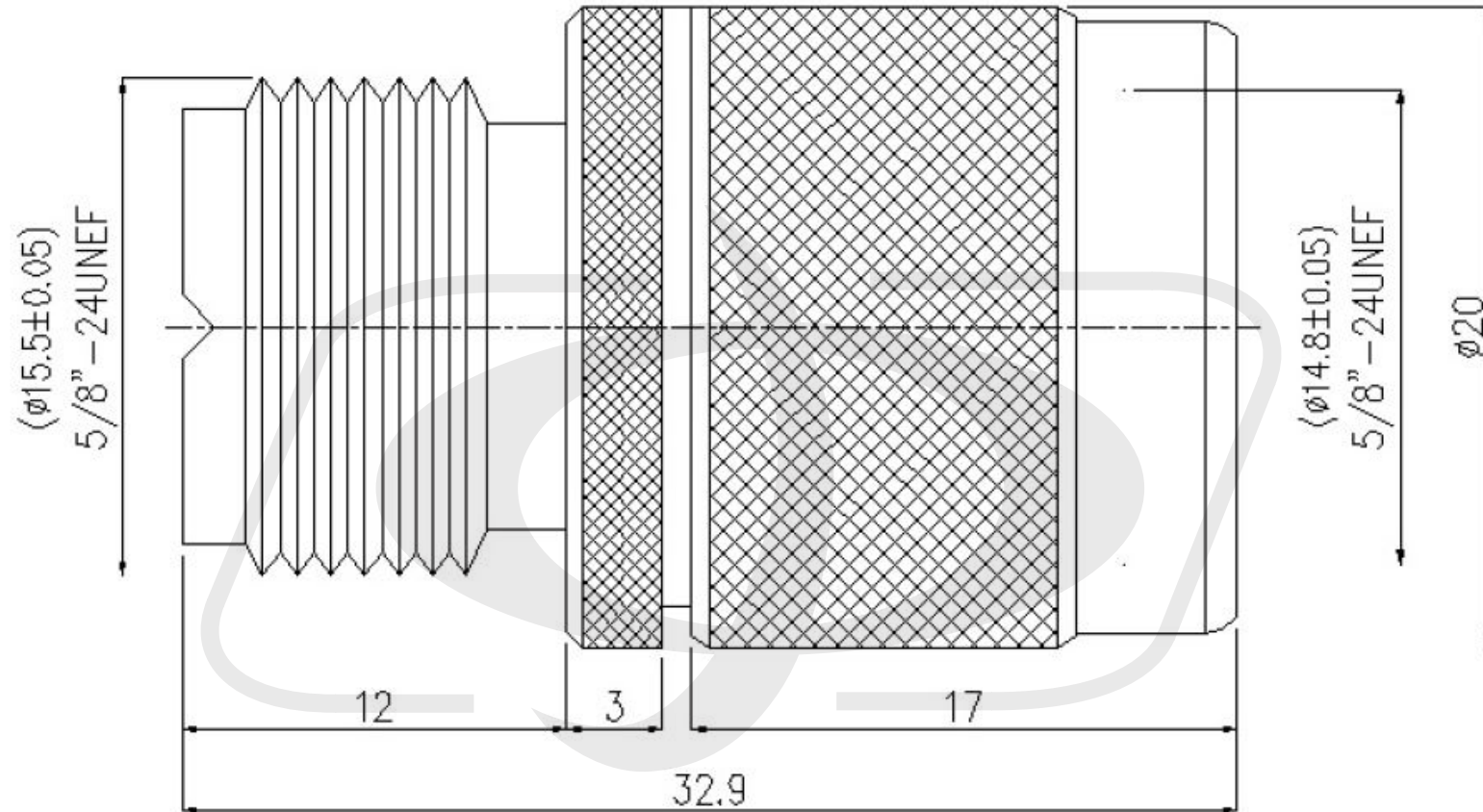
Country of Origin Taiwan

## Packaging Information

Package Quantity 1

Product Weight 0.02 lbs





### Tolerance

|       |                 |
|-------|-----------------|
| x.    | $\pm 0.2$       |
| xx.   | $\pm 0.1$       |
| xxx.  | $\pm 0.05$      |
| Angle | $\pm 0.5^\circ$ |