

Description

This adapter consists of a N-Type male on one end and a SMA-RP (reverse polarity) male on the other. It is typically used to convert a SMA-RP female cable to a N-Type male cable.

Physical Characteristics

Connector Plating Nickel

Connectors

Connector A N-Type Male

Connector B SMA-RP (Reverse Polarity) Male

Performance

Impedance 50 Ohm

Product Support

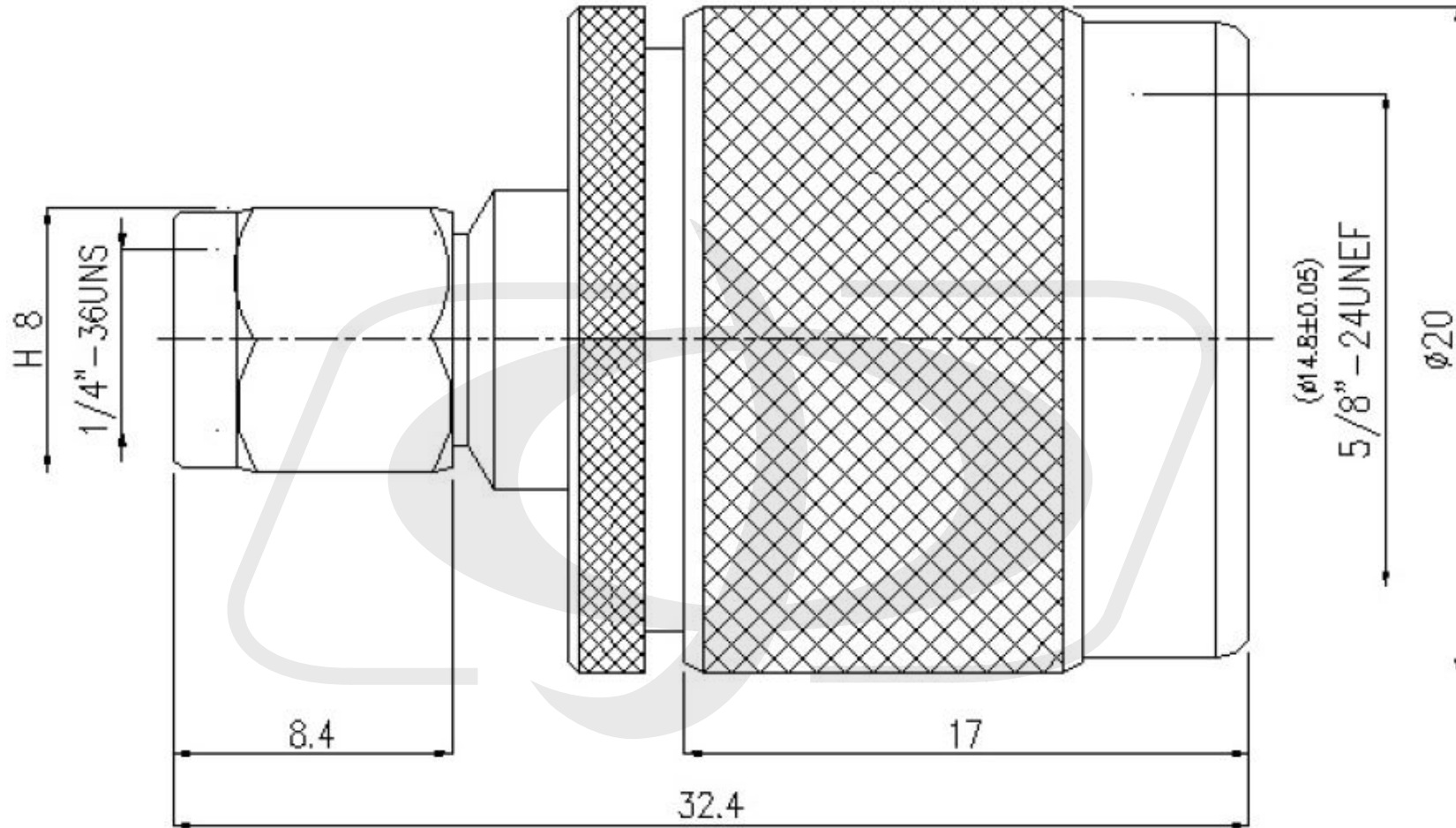
Country of Origin Taiwan

Packaging Information

Package Quantity 1

Product Weight 0.02lbs





Tolerance

x.	±0.2
xx.	±0.1
xxx.	±0.05
Angle	±0.5°