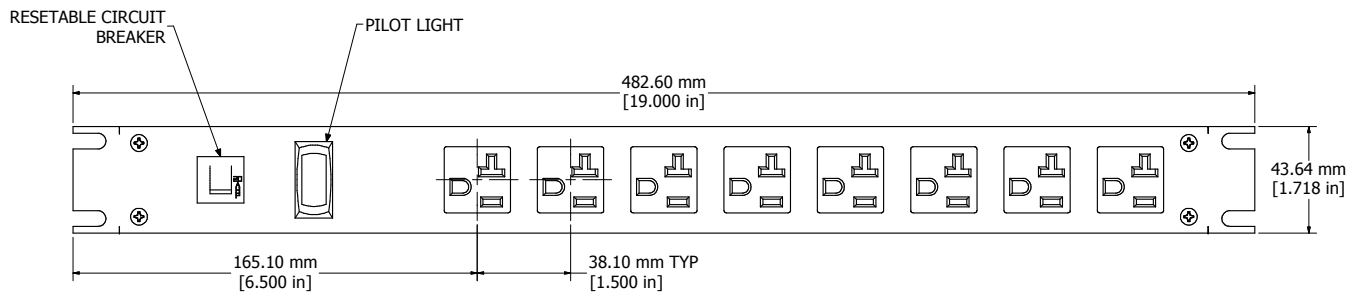
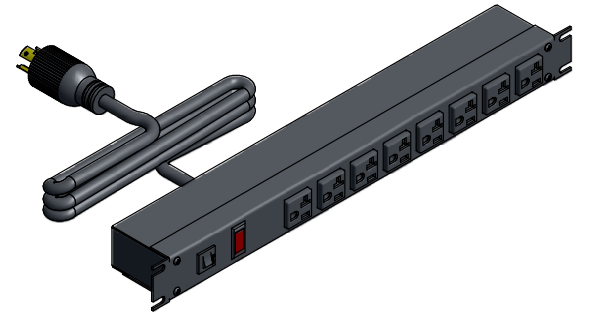


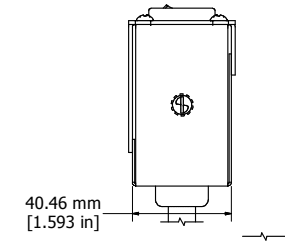
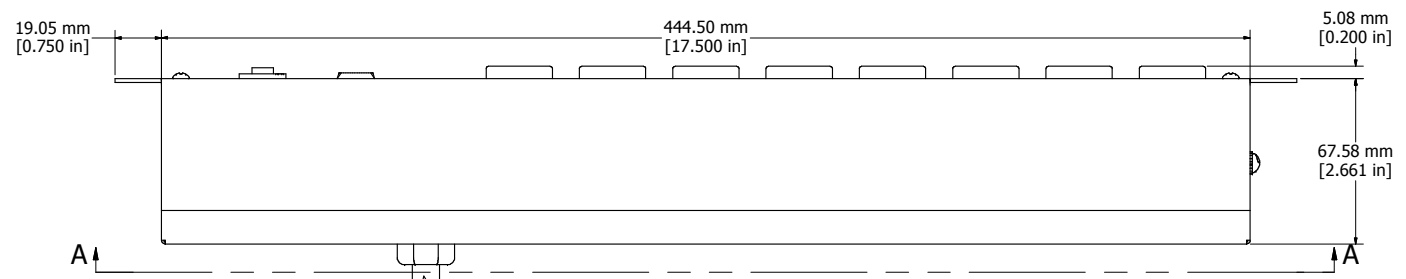
8 | 7 | 6 | 5 | 4 | 3 | 2 | 1



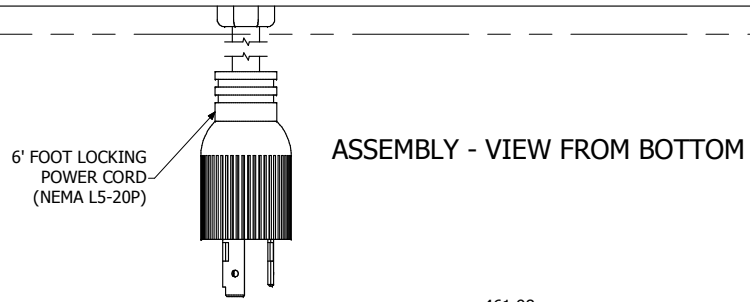
ASSEMBLY - VIEW FROM FRONT



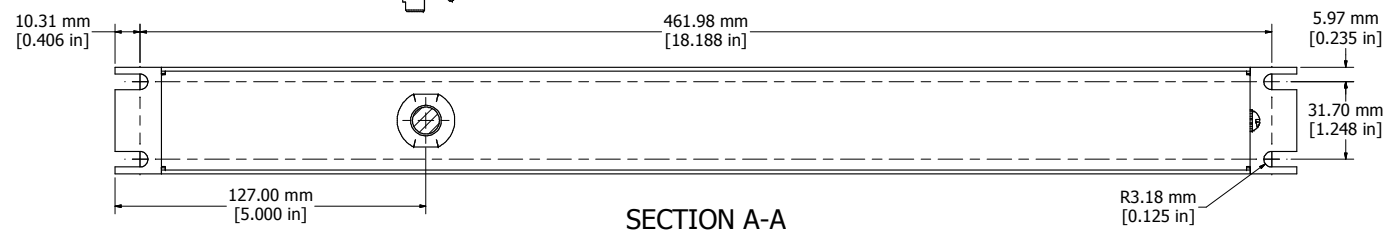
ISOMETRIC VIEW



ASSEMBLY - VIEW FROM SIDE



ASSEMBLY - VIEW FROM BOTTOM



SECTION A-A

<b>1589T8C1BKRF</b>
Finish - Front - Black Painted Steel
Back - Black Painted Steel
Rated - 125 VAC, 60 Hz, 20 Amps
Approvals - CSA Certified Standards C22.2 (No. 21-95, 42-99)
- UL Recognized Standard UL1363

**HAMMOND  
MANUFACTURING™**  
**1589T8C1BKRF**  
www.hammondmfg.com

8 | 7 | 6 | 5 | 4 | 3 | 2 | 1