






## Instructions of Safety and Warnings:

- Any failure to comply with the safety and installation instructions in this manual may cause serious bodily injury.
- Any incomplete observation of the instructions, warnings and additional information marked with the "Note" and "⚠" may result in serious damage to the system or its components.
- This product can be used by children aged from 8 years and above if they have been given supervision or instruction concerning use of the appliance in a safe way and understand the hazards involved. Children shall not play with the appliance. Cleaning and user maintenance shall not be made by children without supervision. Unplug the desk when the system isn't in use, and place the power plug out of children reach.
- Persons with reduced physical, mental abilities and or lack of experience and knowledge must not use the product, unless they're under supervision, understand the hazards involved or they have been thoroughly instructed in the use of the apparatus by a person who is responsible for the safety of these persons.
- Users should make sure that they never sit on the desktop in order to prevent serious bodily injury.


### ⚠ Electrical Safety Instructions:

The product is powered by electricity. In order to avoid burns, fire and electric shock, please read the instructions carefully.

-  Don't clean the product with water while the power is still connected.
-  Never operate the system if it's in moist environment or its electrical components have contact with liquids.
-  Don't disassemble or replace components while the power is still connected.
-  Don't operate the system if the control box makes noise or odor. Alterations of the given power unit and control box aren't allowed.
-  Never operate the system with a damaged cord or plug. Please contact your point of purchase to replace the damaged parts.

### ⚠ Other Safety Instructions:

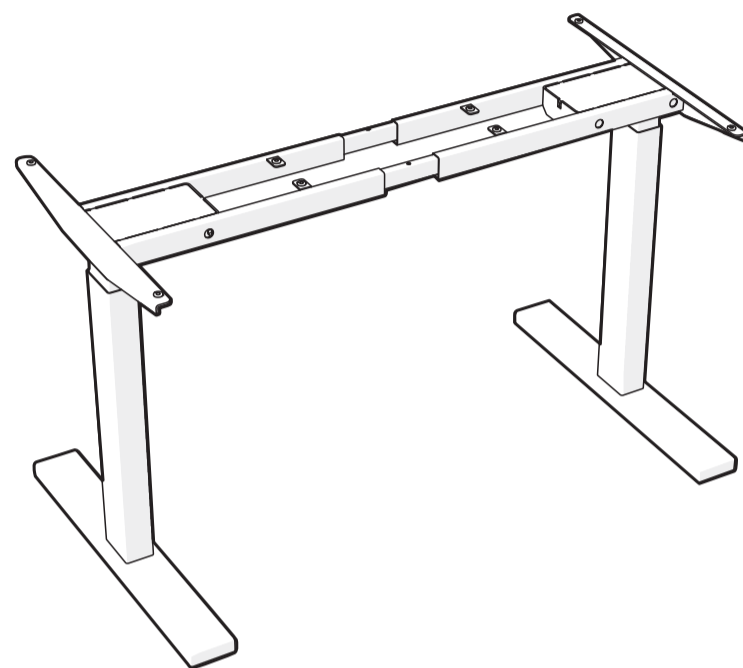
- Clear up all obstacles within the height adjustment range.
- Don't leave the cords or plug unorganized in order to prevent tripping hazards.
- Any attempts to reconstruct the desk frame aren't allowed.
- Don't add anything to the adjustable junctions of the desk frame.
- Outdoor use is prohibited.

 **Disposal:** The product with this mark indicates that this product shouldn't be disposed with other household wastes throughout the EU. To prevent possible harm to the environment or human health from uncontrolled waste disposal, recycle it responsibly to promote the sustainable reuse of material resources. To return your used device, please use the local recycle service or contact your point of purchase to withdraw the product.

# ELECTRIC SIT-STAND DESK

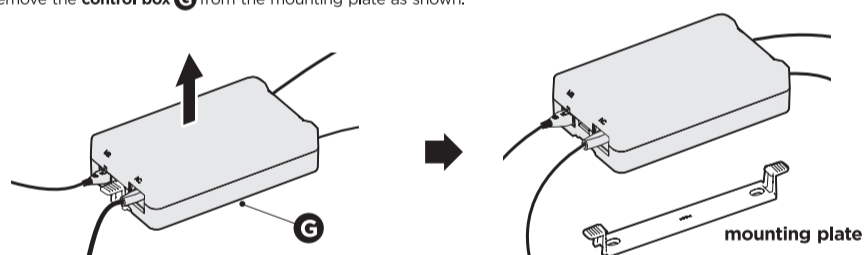
## Instruction Manual

IV-M9-P01&IV-M9-P02

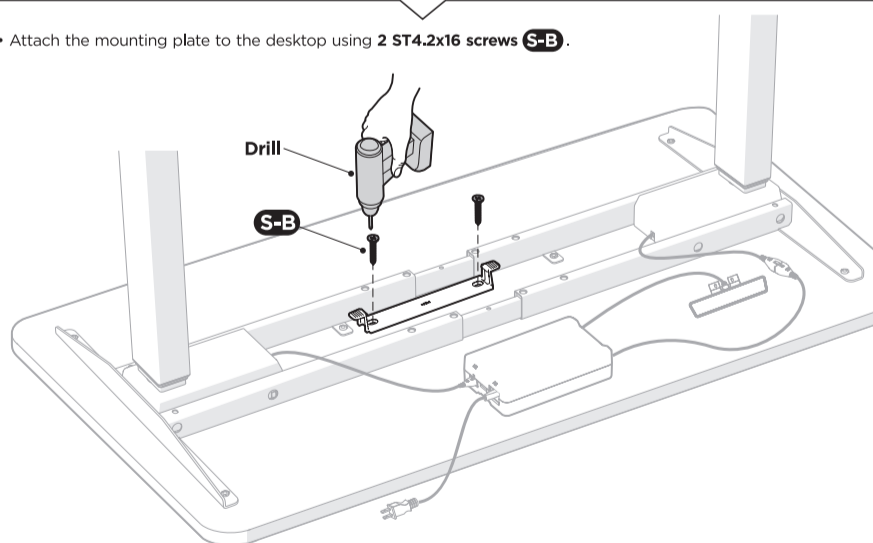


### 7. Attaching the Control Box

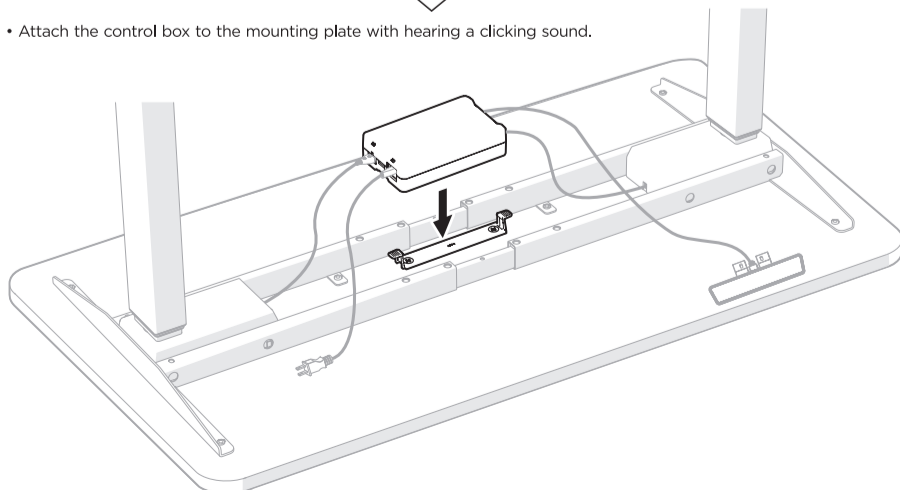
- Remove the control box **G** from the mounting plate as shown.



- Attach the mounting plate to the desktop using 2 **ST4.2x16 screws S-B**.



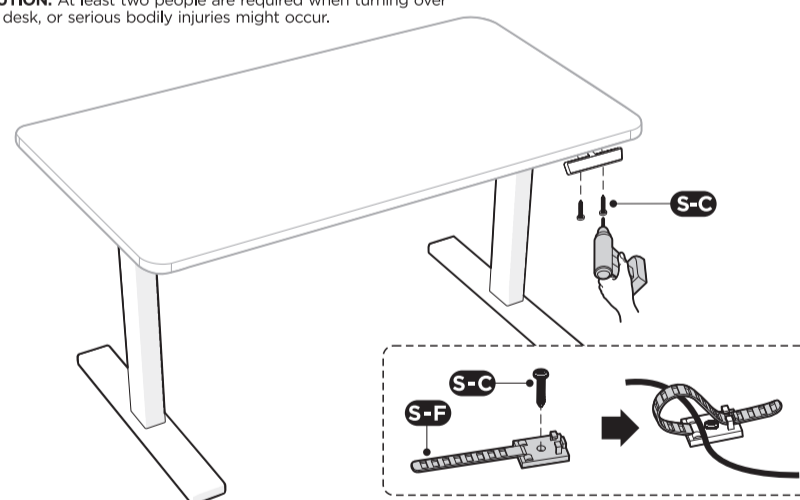
- Attach the control box to the mounting plate with hearing a clicking sound.



### 8. Attaching the Controller

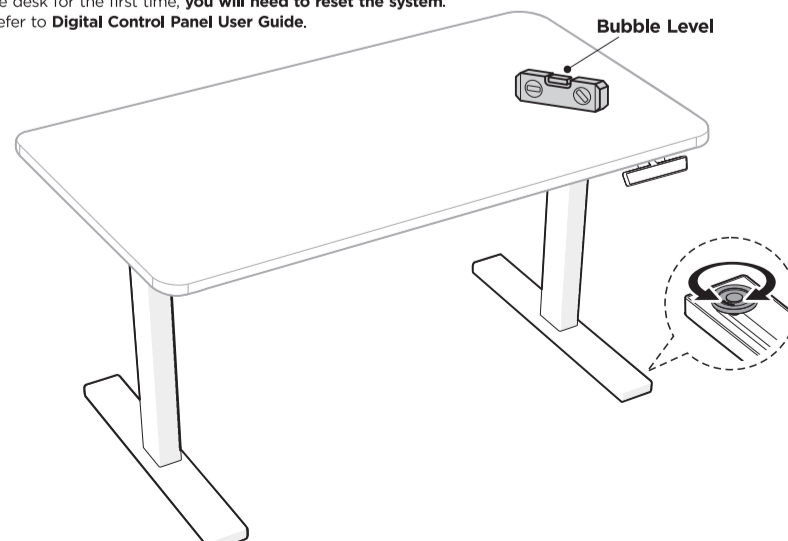
- Turn over the desk with the help of another person.
- Attach the controller to the desktop with 2 **ST3.5x12 screws S-C**.
- Run the cables through the **cable clips S-F** and attach the cable clips to the desktop with **ST3.5x12 screws S-C** to ensure clean and neat surface.

 **CAUTION:** At least two people are required when turning over the desk, or serious bodily injuries might occur.



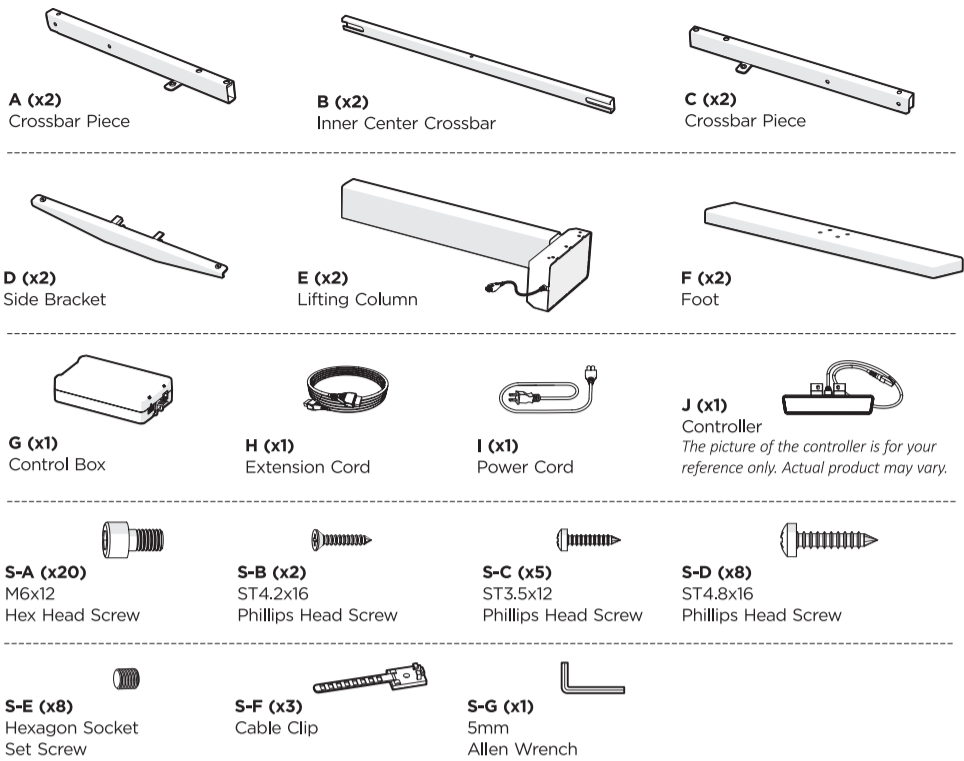
### 9. Adjusting the Desk

- There are two adjustable foot pads under each foot. If the floor isn't even, simply turn the pad to adjust the level to make the desk stable.
- **Tip:** Use a bubble level (not included) to check if the desktop is even.
- Using the desk for the first time, **you will need to reset the system.** Please refer to **Digital Control Panel User Guide**.



## Checklist and Installation

Please check all of the components shown in the component checklist. If any of the components are missing or damaged, contact your point of purchase for a replacement.



### What important specifications should know before installation?

Power Input (100-240V)

Operation Temperature (-5°C-+40°C)

### What tools are needed to assemble the desk frame?

Bubble Level

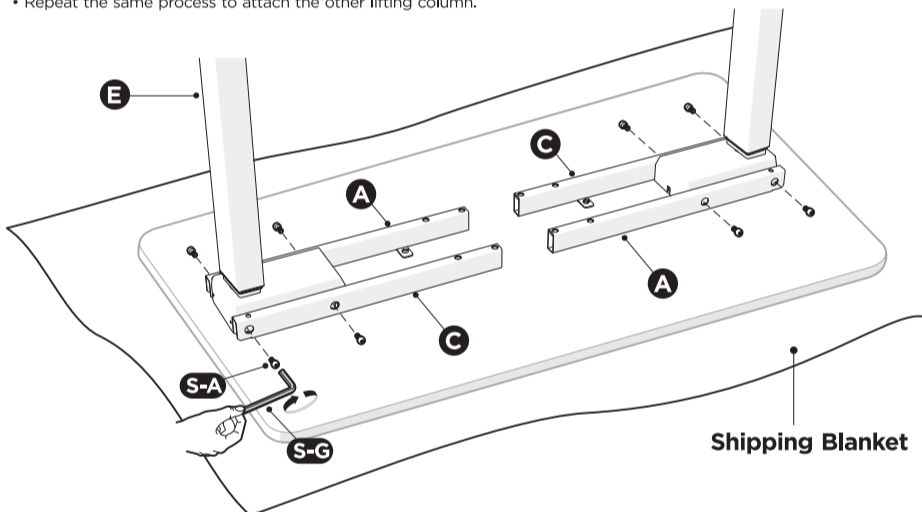
Allen Wrench (Included)

Drill

Phillips Screwdriver

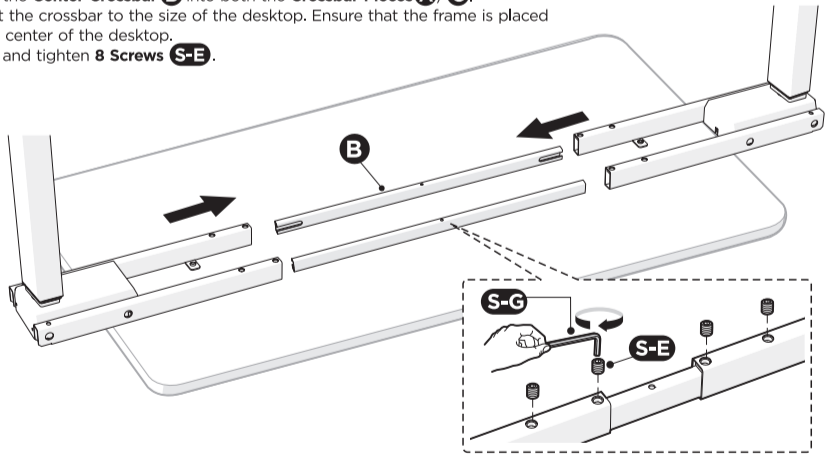
## 1. Attaching the Lifting Columns

- Carefully place the desktop (not included), **crossbar pieces A/C** upside down on the blanket/floor.
- Insert one **lifting column E** into one end of the crossbar with the head of the lifting column facing inward.
- Attaching the lifting column to the crossbar and side bracket using **4 M6x12 screws S-A**.
- Repeat the same process to attach the other lifting column.



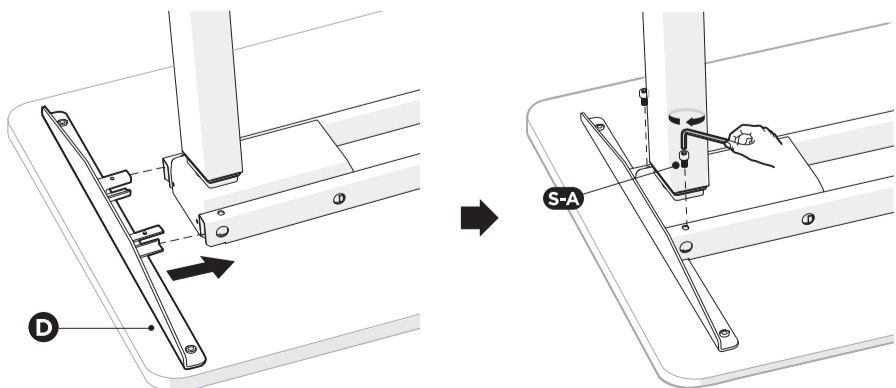
## 2. Adjusting the Frame

- Insert the **Center Crossbar B** into both the **Crossbar Pieces A/C**.
- Adjust the crossbar to the size of the desktop. Ensure that the frame is placed in the center of the desktop.
- Insert and tighten **8 Screws S-E**.



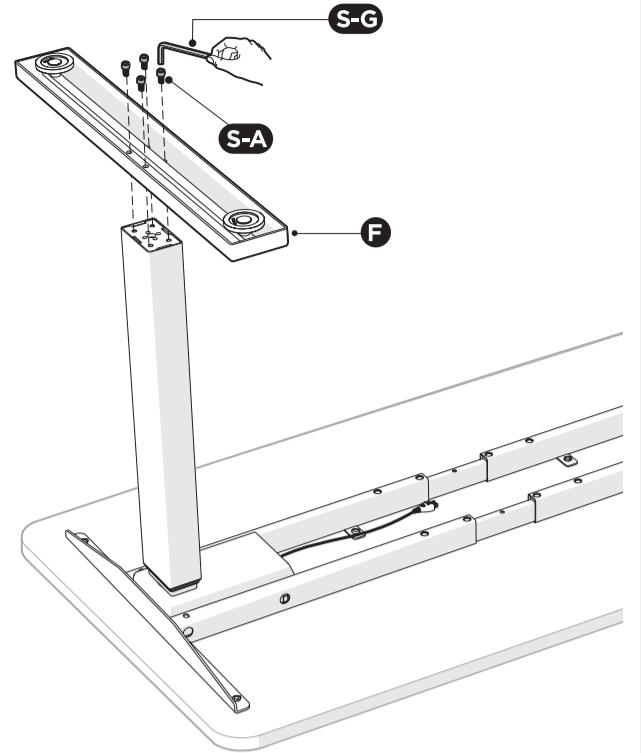
## 3. Attaching the Side Brackets

- Insert the **side bracket D** to each end of the crossbar as shown in the illustration.
- Fix each side bracket with crossbar using **2 M6x12 screws S-A**.
- Repeat the same process to attach the other side bracket.



## 4. Attaching the Feet

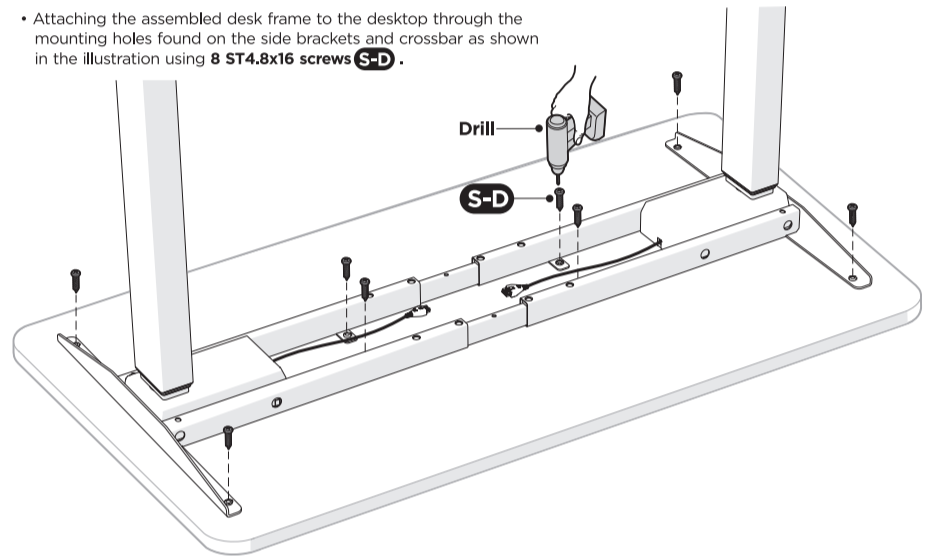
- Attaching the **foot F** to the lifting column using **4 M6x12 screws S-A**.
- Repeat the same process to attach the other foot.



## 5. Drilling to the Desktop

Attention: Please include cable tray hanger in this step if available.

- Attaching the assembled desk frame to the desktop through the mounting holes found on the side brackets and crossbar as shown in the illustration using **8 ST4.8x16 screws S-D**.

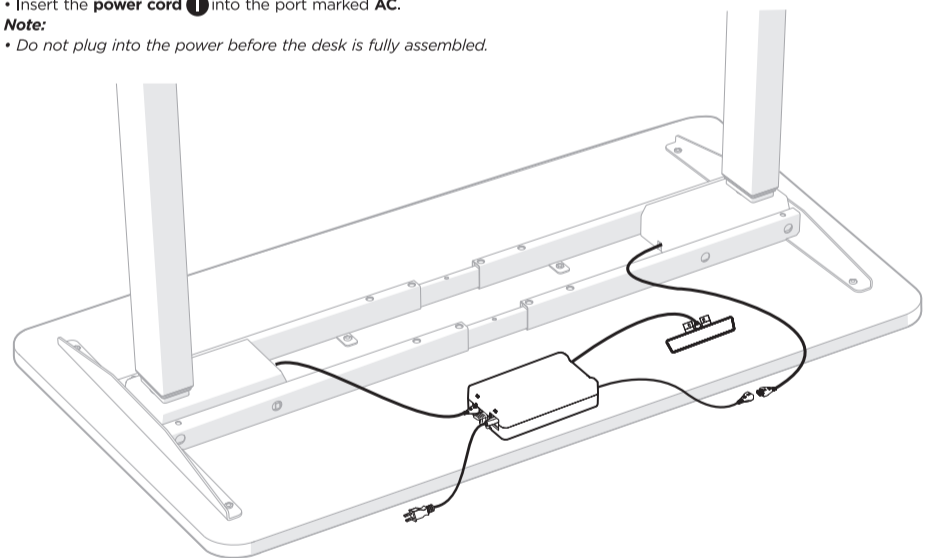


## 6. Inserting Cords into the Control Box

- Insert 2 motor cords into the ports marked **M1** and **M2**. You will use an **extension cable H** to extend the motor cord.
- Insert the **controller J** cord into the port marked **HS**.
- Insert the **power cord I** into the port marked **AC**.

### Note:

- Do not plug into the power before the desk is fully assembled.



Your desk will include one of the control boxes below. Once identified, connect the cables as shown in the illustration.

