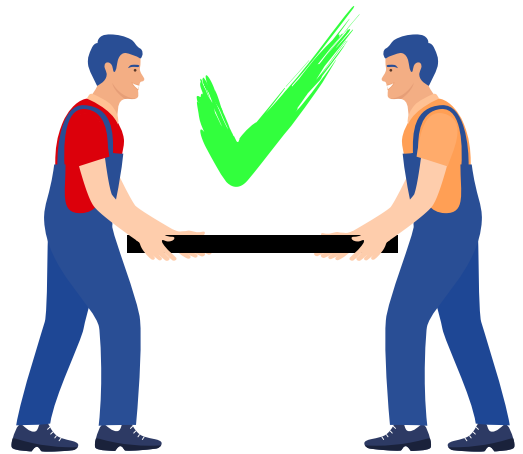
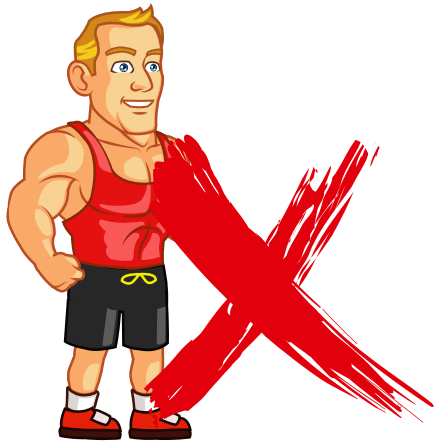


Light-Rama

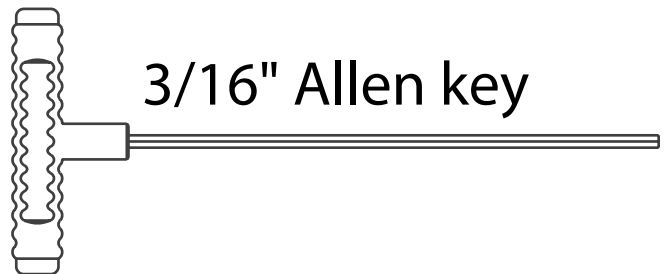
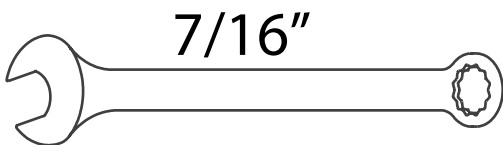
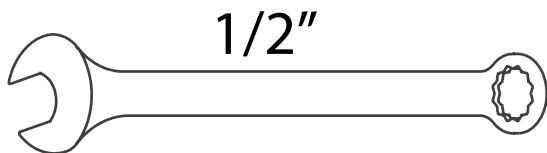
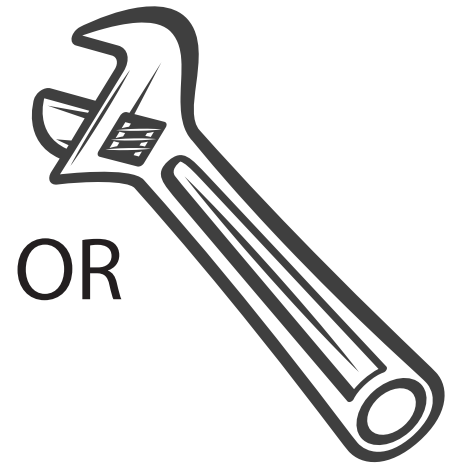
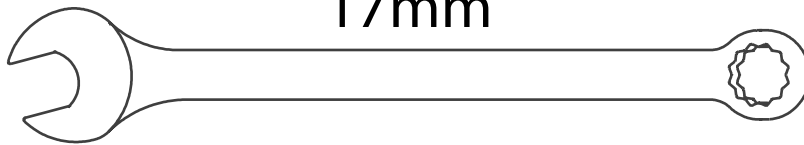
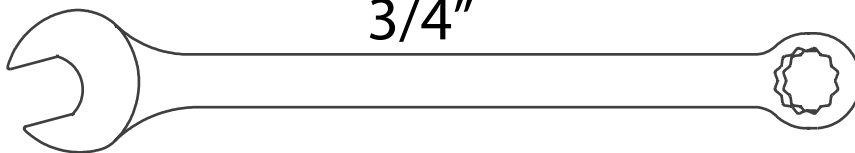
**SASQUATCH**  
**MEGATREE**

***ASSEMBLY  
INSTRUCTIONS***

# Sasquatch MegaTree Assembly Instructions

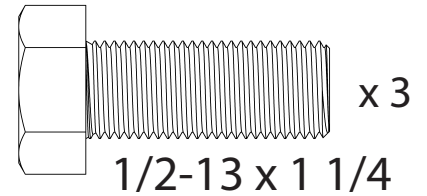
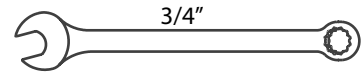
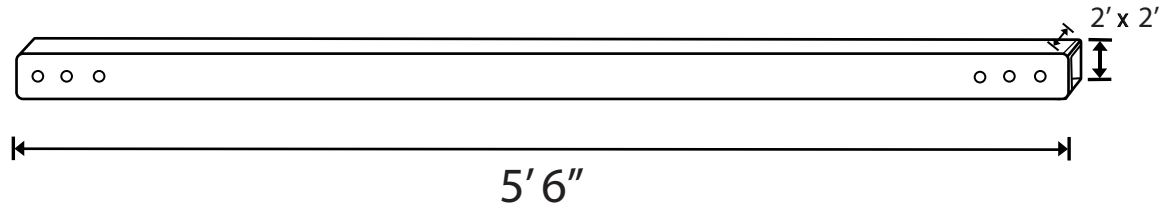


## Tools Need

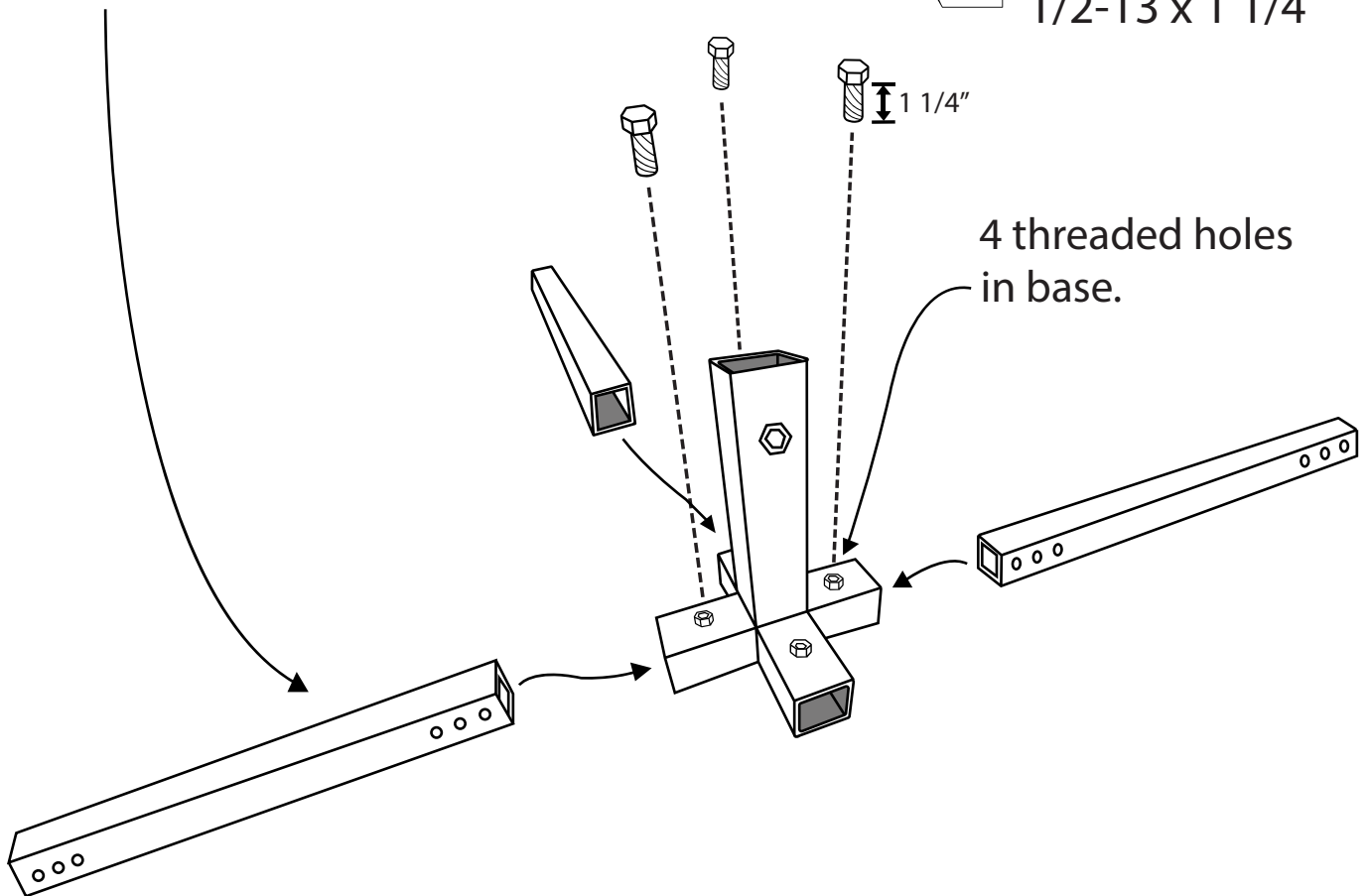


# Sasquatch Base Assembly

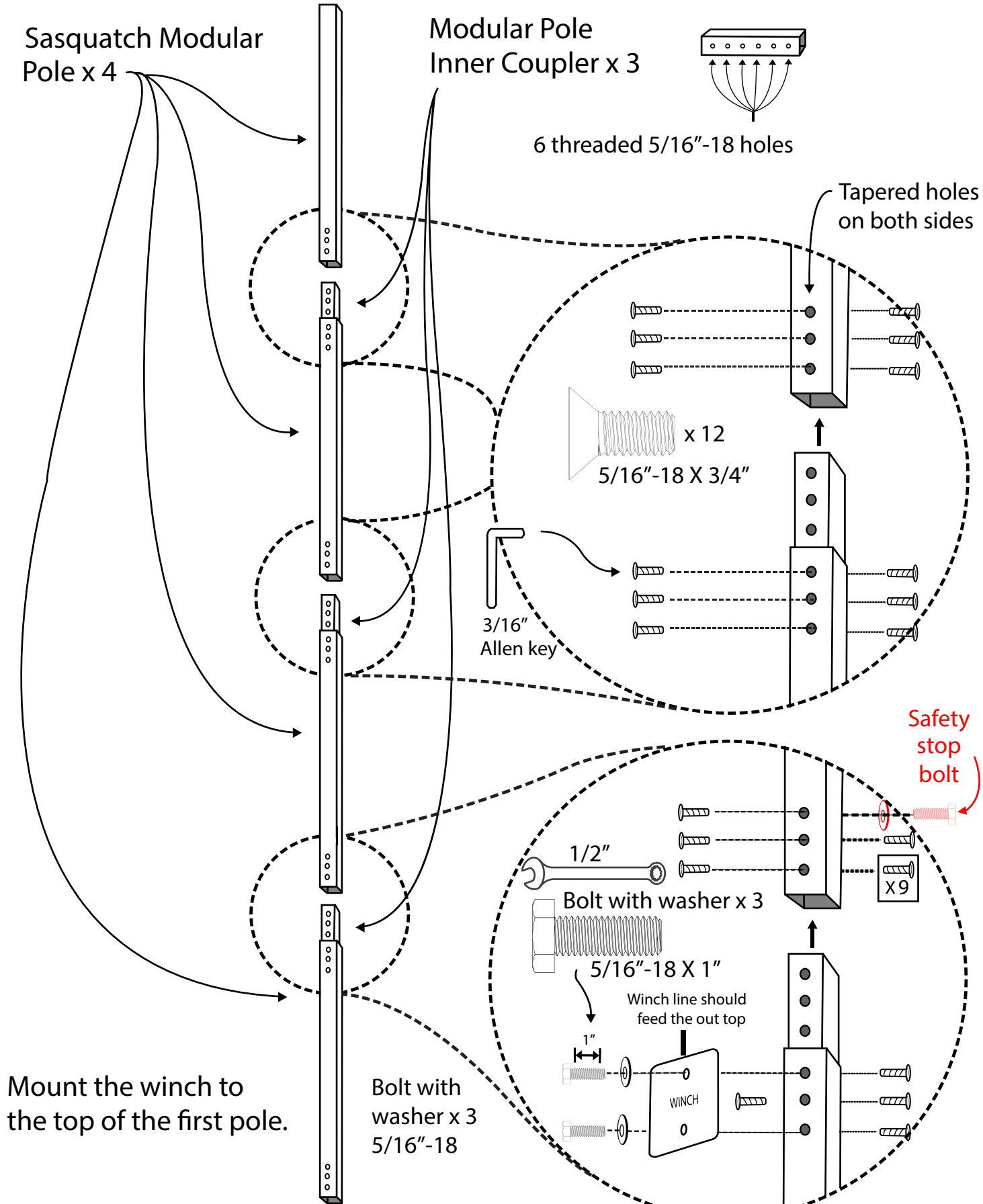
Sasquatch Modular Pole x 4



Insert each pole into the base with the holes facing to the side

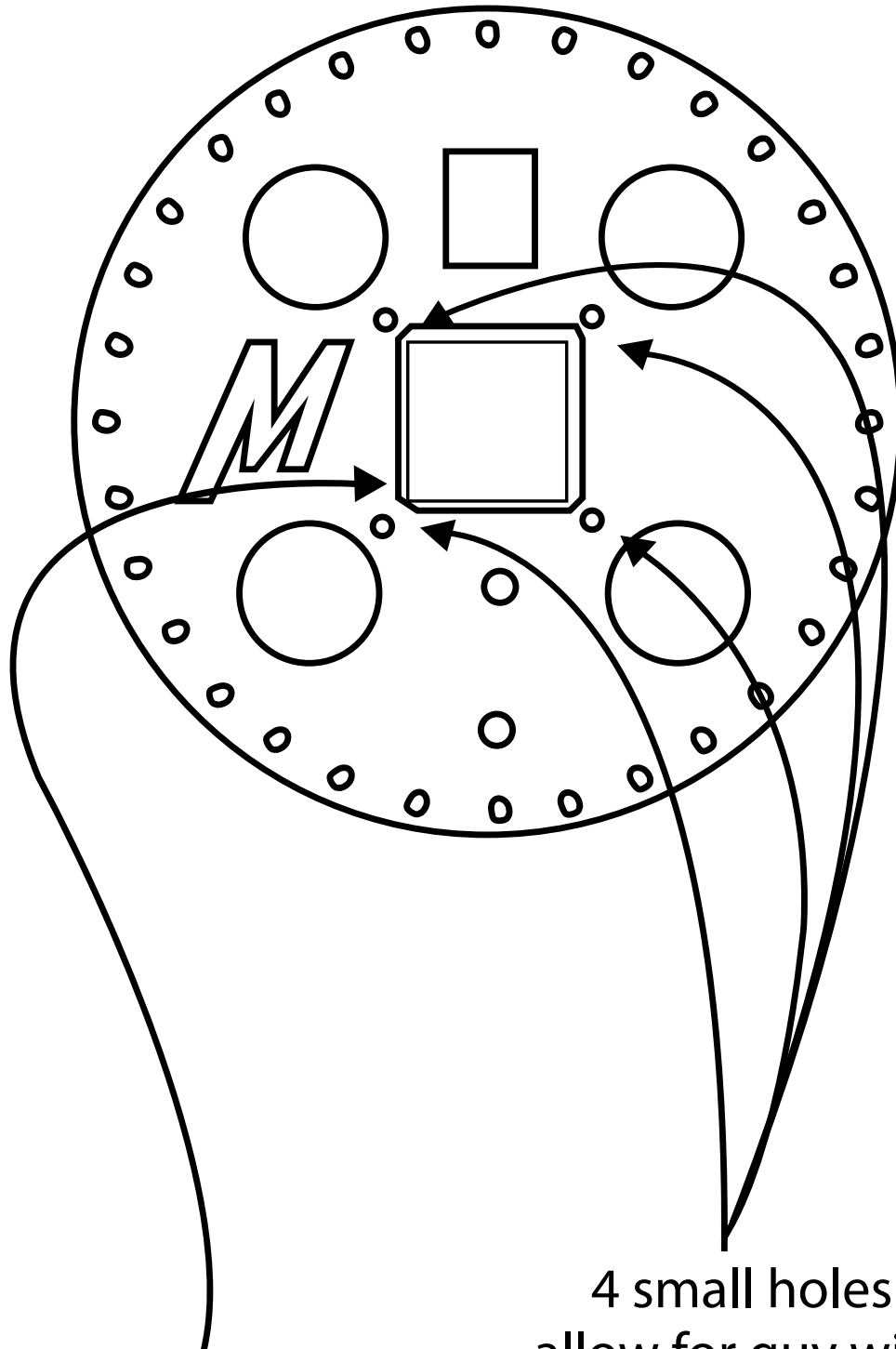


# Sasquatch Modular Main Pole Assembly



# Sasquatch Toppers

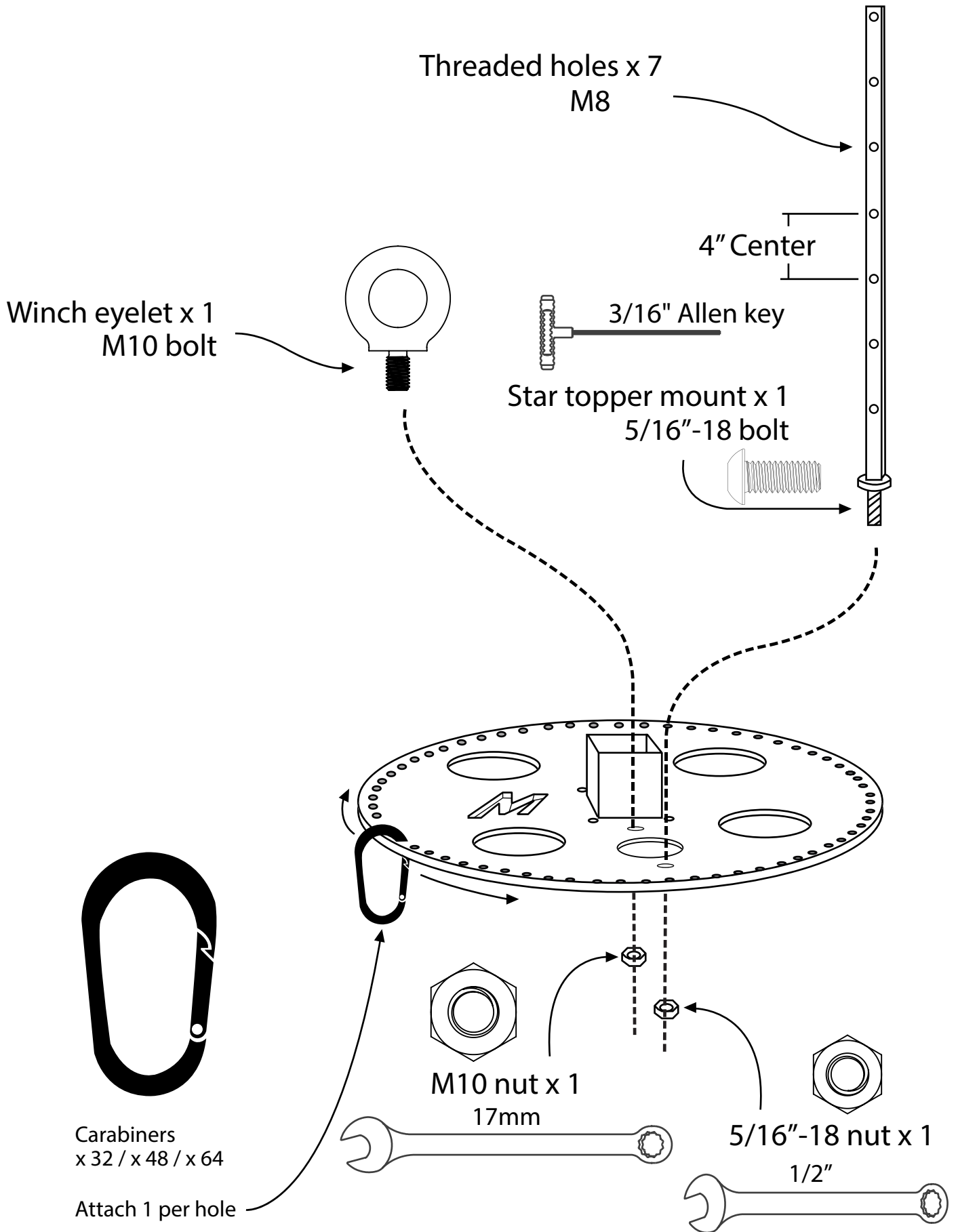
## 32 Hole Sasquatch Topper



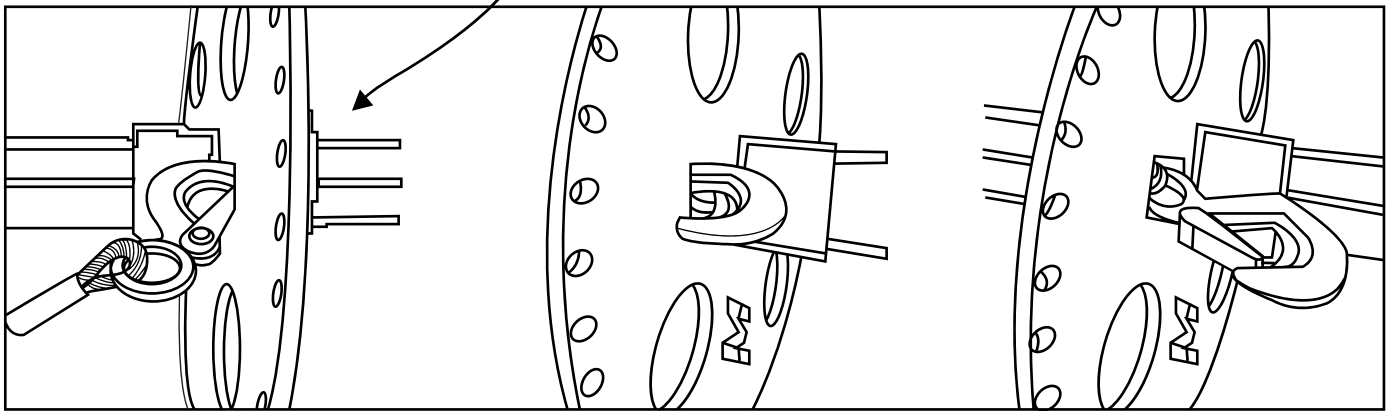
Center sleeve slides on 2"x2" square pole.

4 small holes allow for guy wire anchoring. (optional)

# Sasquatch Topper Assembly

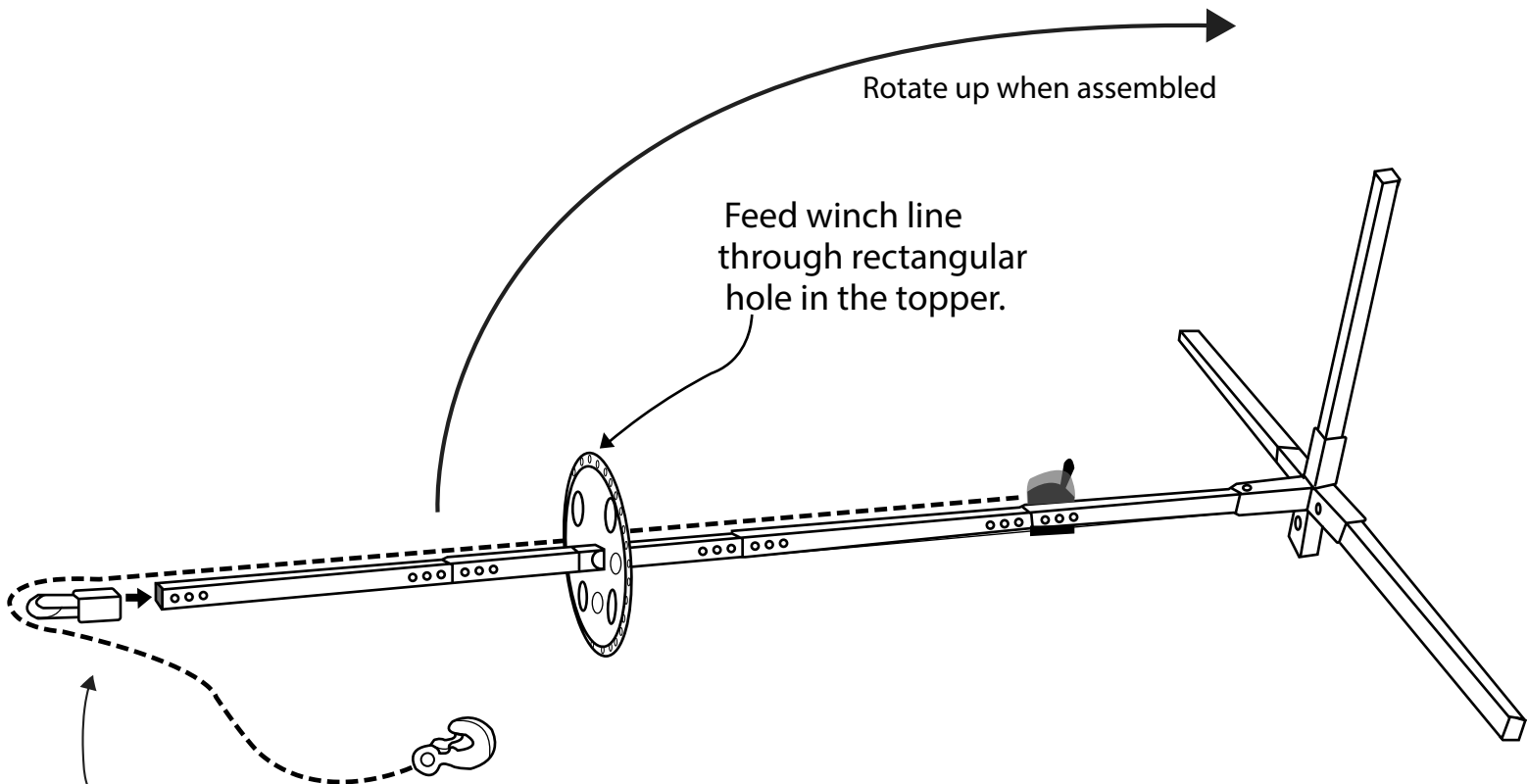


Feed winch line through rectangular hole in the topper.



Rotate up when assembled

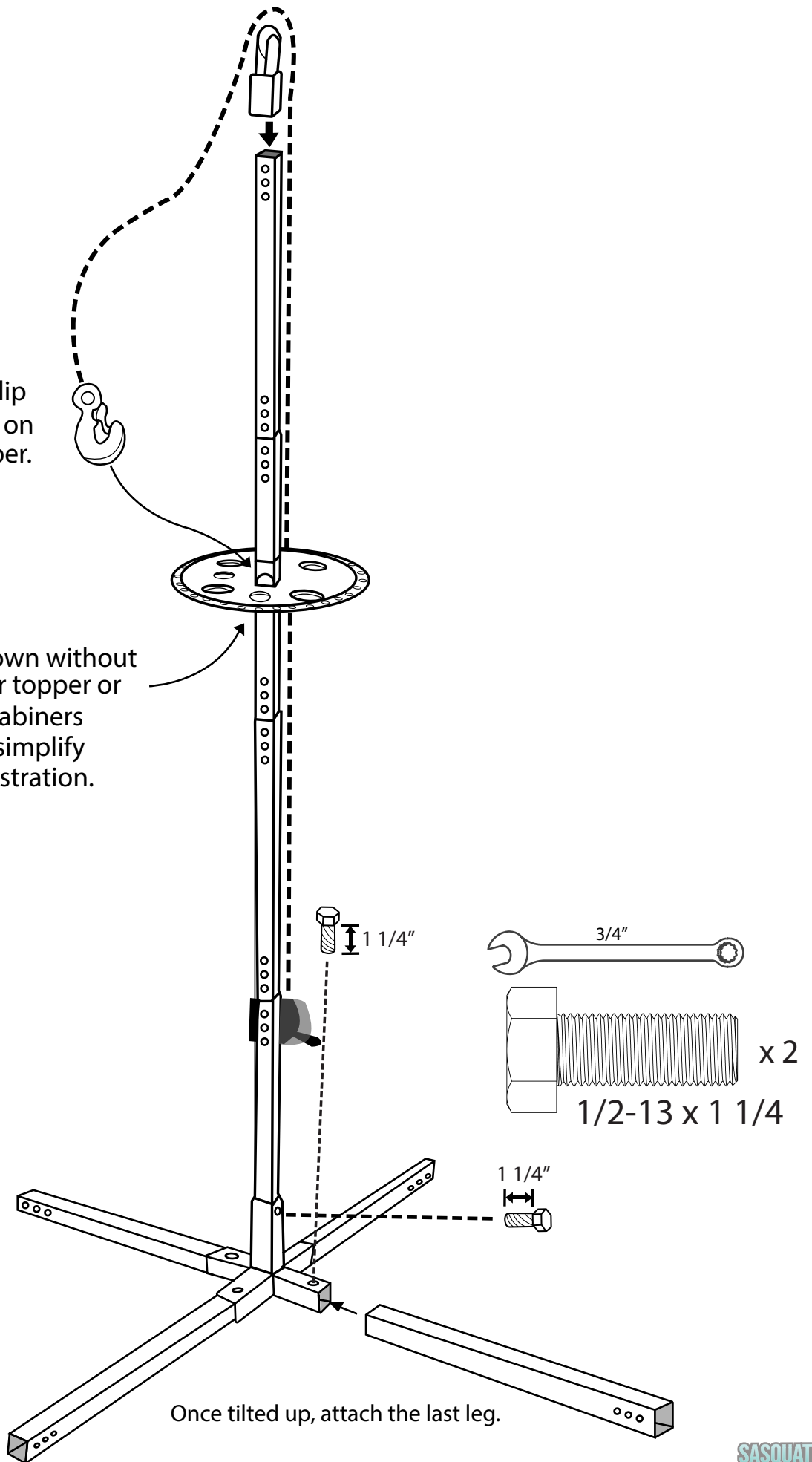
Feed winch line through rectangular hole in the topper.



Slide Pulley cap over top of pole and feed winch line over the top.

Attach the winch clip to the winch eyelet on the topper.

\*Shown without star topper or carabiners to simplify illustration.



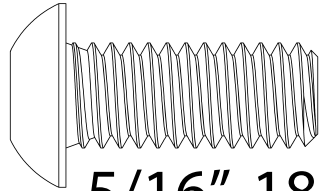


# Sasquatch Hoop Assembly

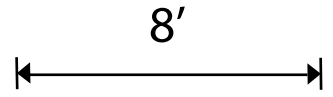


3/16" Allen key

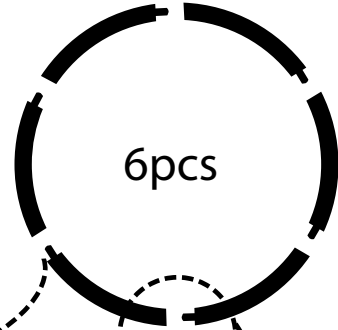
2 bolts per piece



5/16"-18 x 3/4

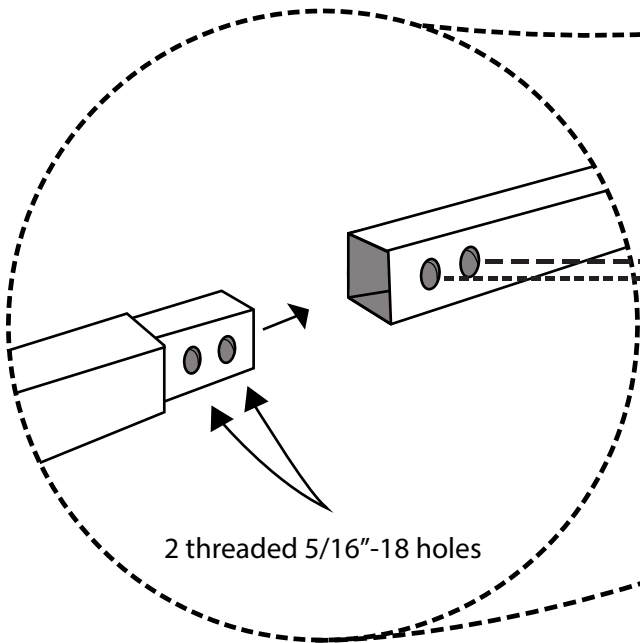


8'



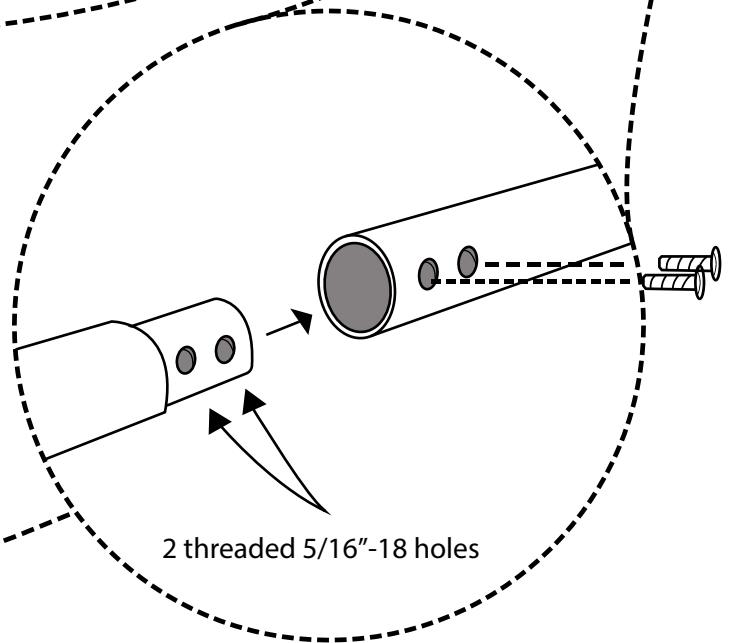
6pcs

x 12 bolts



2 threaded 5/16"-18 holes

Square Tube Option



2 threaded 5/16"-18 holes

Round Tube Option

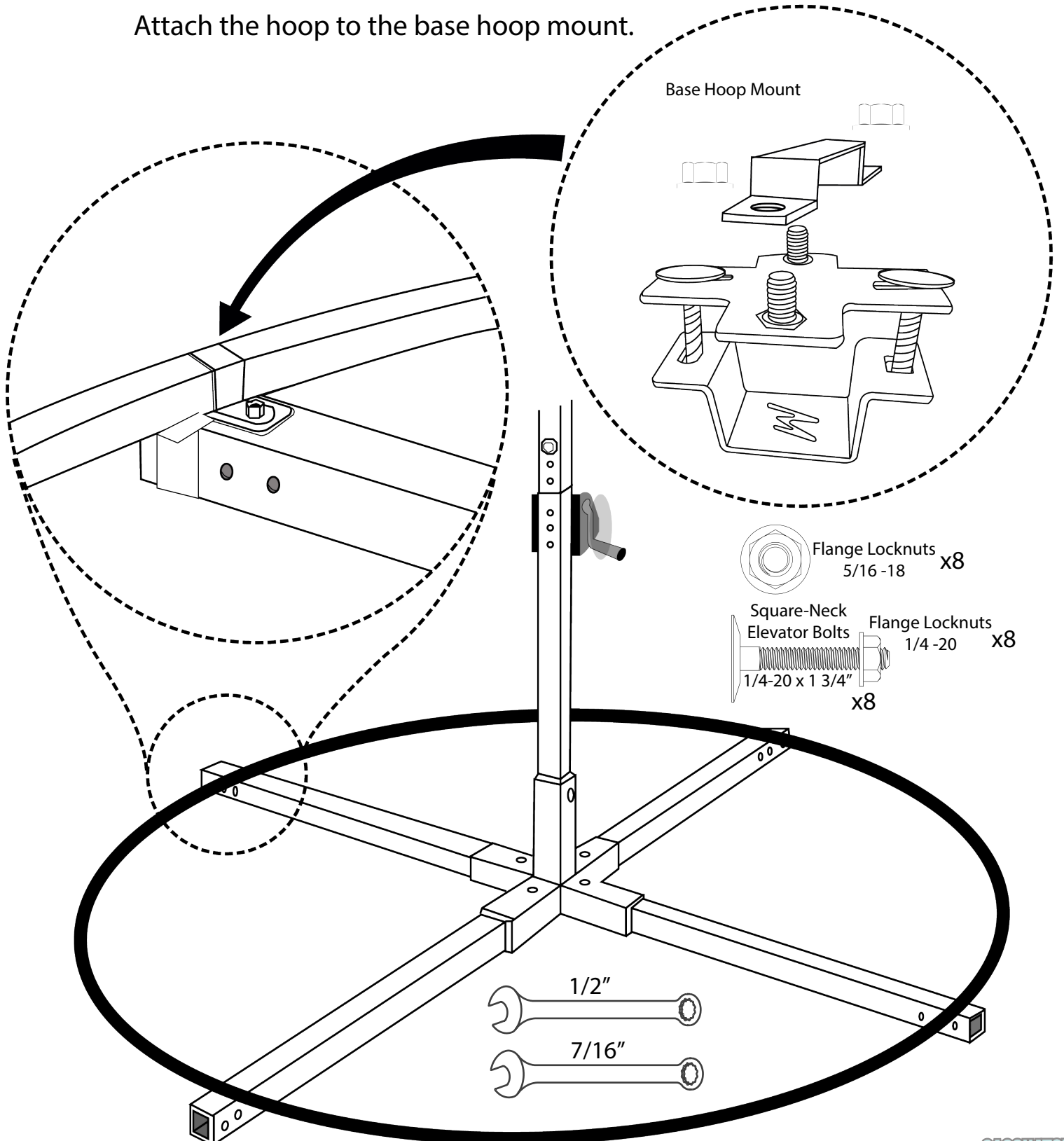
# Hoop Mounting Option A

## Stand Alone Base Hoop Mount Set Sku: SMTSAM

Disconnect 1 hoop seam to allow the hoop to wrap around the center pole and place on top of the base feet.

On each of the four base feet, attach a base hoop mount.

Attach the hoop to the base hoop mount.



# Light--Rama

