

Light-O-Rama "CPC" Package

8 Mini Trees - Assembly Instructions

Included in this Package:

- 8 Mini Trees - 100 Nodes Each. 80 Nodes for Tree and 20 Nodes for Star. "Pixel Path" for pixel pushing included on the back of each prop. 46" high by 17.5" wide
- 16 Strands of Black Bullet Pixels - 50 Ct (4" spacing). Two strands of 50 should be connected together per prop.
- Pixie8 Controller - Assembled -12V - With Black Dangles Included

Optional Package Additions:

- 8 Pixel Extensions - Black
- Cat5 Cable (Required for Connection)

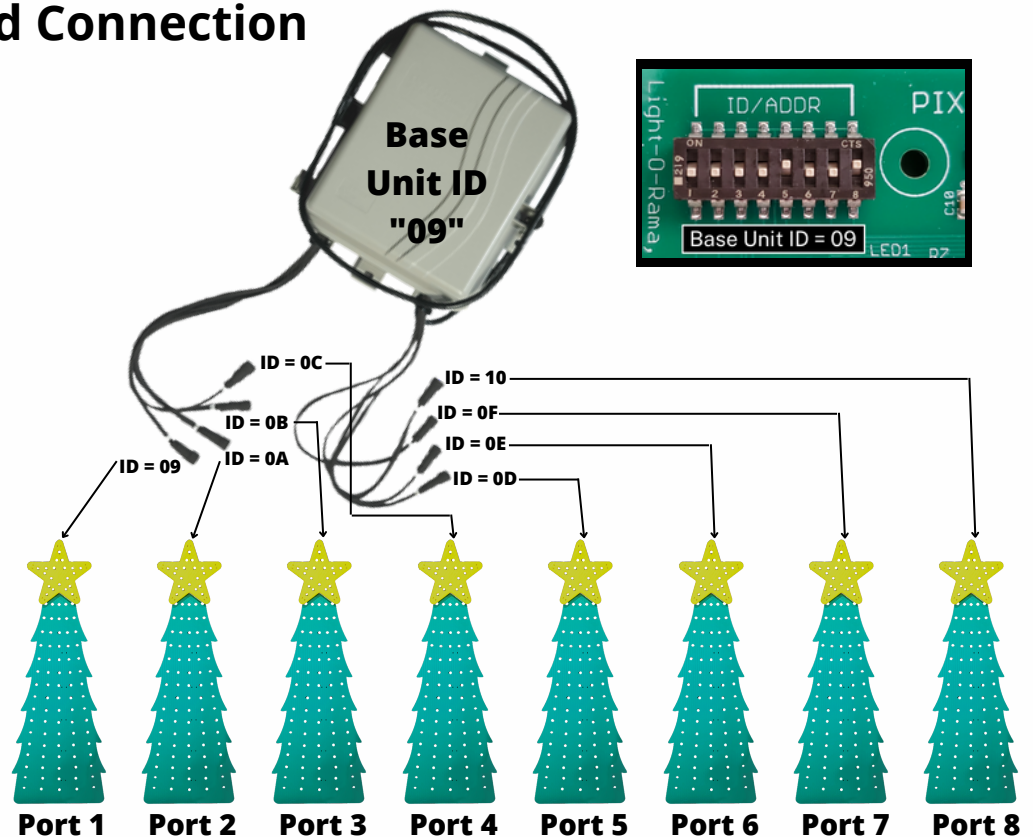
Customer Provided (If Applicable):

- Mounting material for home attachment
- Metal stakes or other ground mounting material

Prop Assembly and Connection

When viewing the Mini Tree from the back, the Pixel Path "star" (for "start") should be at the bottom right of the prop, with the pixel path continuing up and down the tree until it continues into the star and reaches the "square" for "stop."

When viewing the mini trees as the audience, the 1st tree should be on the left in a row and the 8th tree should be on the right.



Sequence Use

To use these props with RGBPlus Sequences, the Pixie controller must be connected to the AuxA (computer) or Net 2 (Director) network. You must be using 5.6.8 or higher in order to use RGBPlus Sequences with a computer. Effects for these props are not included in RTG or YCM sequences.

To use with RGBPlus sequences, the Pixie8 should be given a base Unit ID of 09; The eight Unit IDs for the eight ports of this Pixie8 controller (and therefore your Mini Trees) must be 09, 0A, 0B, 0C, 0D, 0E, 0F, and 10, both physically on your controller and in your Preview, which correspond to ports 1, 2, 3, 4, 5, 6, 7, and 8 of your Pixie8.

Scan the QR code to learn more about using this package with RGBPlus Sequences or modifying the IDs and Networks for your own custom layout.

