

Wall Mount Adjustable Basketball System

Installation Instructions

Model: WCV-54/60/72



WARNING



FAILURE TO COMPLY WITH ANY OF THE WARNINGS IN THESE INSTRUCTIONS MAY RESULT IN SERIOUS PERSONAL INJURY.

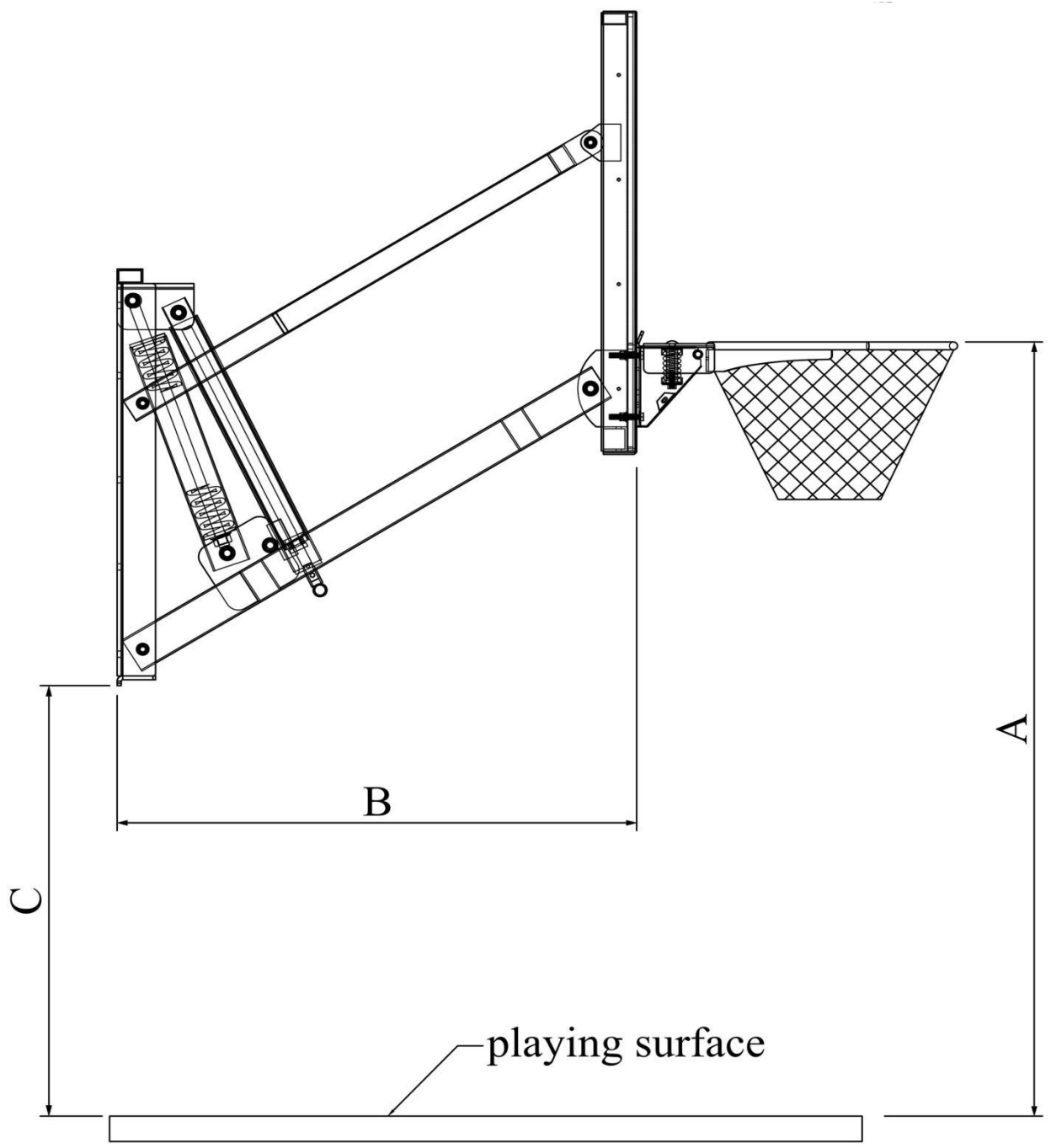
FAILURE TO COMPLY MAY ALSO RESULT IN PROPERTY DAMAGE. PLEASE HEED ALL WARNINGS AND CAUTIONS TO ENSURE YOUR SAFETY.

DO NOT ATTEMPT TO ASSEMBLE THIS SYSTEM WITHOUT CAREFULLY READING AND FOLLOWING ALL INSTRUCTIONS. BEGIN BY IDENTIFYING AND TAKING INVENTORY OF ALL PARTS USING THE PARTS LIST PROVIDED.



Keep this instruction manual in case you have to contact the manufacturer for replacement parts.

Ref	WCV-54	WCV-60	WCV-72	Description
0A	10	10	10	Stainless Expansion Bolt, M10x100
0B	10	10	10	Flat washer, 10mm
0C	10	10	10	Lock washer, 10mm
0D	10	10	10	Nut, 10mm
1A	2	2	2	Stainless Steel Bolt, M12x65
1B	4	4	4	Flat washer, 12mm
1C	2	2	2	Lock washer, 12mm
1D	4	4	4	Nylon washer, 12mm
1E	2	2	2	Lock nut, 12mm
1F	2	2	2	Stainless Steel Bolt, M12x90
2G	4	4	4	Flat washer, 12mm
3H	2	2	2	Lock washer, 12mm
4I	4	4	4	Nylon washer, 12mm
5J	2	2	2	Lock nut, 12mm
6A	1	1	1	Stainless Steel Bolts, M16x130
6B	2	2	2	Flat washer, 16mm
6C	1	1	1	Lock washer, 16mm
6D	2	2	2	Nylon washer, 16mm
7E	1	1	1	Lock nut, 16mm
7A	2	2	2	Stainless Steel Bolts, M12x50
7B	4	4	4	Flat washer, 12mm
7C	2	2	2	Lock washer, 12mm
7D	4	4	4	Nylon washer, 12mm
7E	2	2	2	Lock nut, 12mm
8A	1	1	1	Stainless Steel Bolts, M16x320
8B	2	2	2	Flat washer, 16mm
8C	1	1	1	Lock washer, 16mm
8D	2	2	2	Nylon washer, 16mm
8E	1	1	1	Lock nut, 16mm
9A	4	4	4	Stainless steel bolt, M10x60
9B	8	8	8	Flat washer, 10mm
9C	4	4	4	Lock washer, 10mm
9D	4	4	4	Lock nut, 10mm
10	2	2	2	Screw, M6x25



Goal Specification

Model	Backboard Size	Height Range(A)	Overhang(B) at 10'	Overhang(B) at 7.5'	Bottom of Frame Height(C)
WCV-54	54"x36"	7.5'-10'	36"(B)	43"(B)	93-4/5"
WCV-60	60"x36"	7.5'-10'	36"(B)	43"(B)	93-4/5"
WCV-72	72"x42"	7.5'-10'	36"(B)	43"(B)	93-4/5"

We can not assume liability for the instruction of any wall-mount structure. We recommend consulting a professional architect or contractor to determine a safe wall anchoring system to match the wall construction being used in your application.

IMPORTANT: safe assembly of the goal required two or three people in good physical condition and capable of lifting 80-100 lbs (36-45 kg).

NOTE: the type of wall fasteners and drill bits required ;are determined and provided by the customer and/or installer.

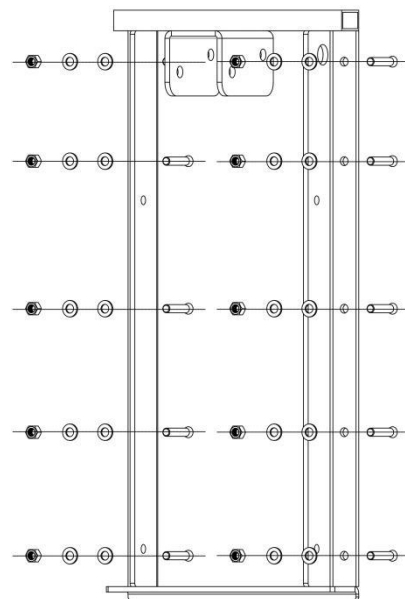
STEP 1 Wall Frame Assembly

A: Determine where to place frame on mounting surface.

B: Draw a 15" (384mm) horizontal line on the mounting surface and 93-4/5" (2371mm) up from playing surface, also level frame horizontally and vertically using a level.

C: Mark wall mounting holes needed for attachment of frame.

D: Set frame down, and drill holes through the stainless expansion bolts(0A) as needed in mounting surface, then using flat washers(0B), lock washers(0C) and nuts(0D) as shown.



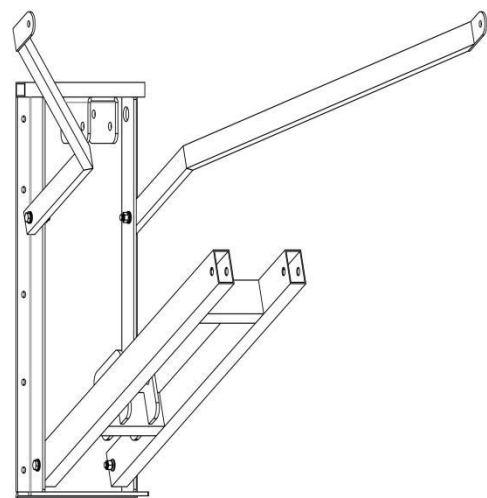
STEP 2 Upper and Lower Arm Assembly

A: Attach upper extension arm to frame, using two M12x65 stainless steel bolts(1A), four flat washers(1B), two lock washers(1C), four nylon washers(1D), and two lock nuts(1E) as show.

(Do not fully tighten for fear to adjust.)

B: Attach lower extension arm to frame, using two M12x90mm bolts(1F), four flat washers(2G), two lock washers(3H), four nylon washers(4H), and two lock nuts(5I) as shown. **(Do not tighten.)**

C: Tighten all frame assembly fasteners, but make sure free movement is maintained at pivot points.



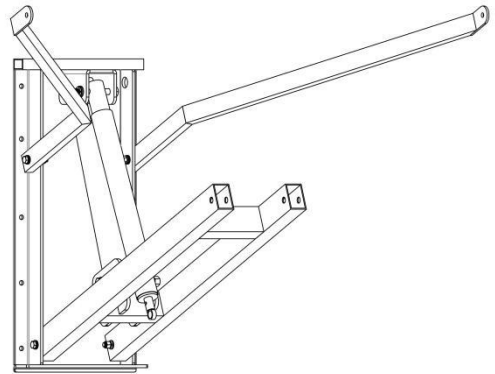
STEP 3 Actuator and Cylinder Assembly

A: Attach actuator to frame and lower extension arm. Using a M16x130mm bolt(6A), two flat washers(6B), one lock washer(6C), two nylon washers(6D) and a lock nut(6E).

B: Using a M16x130mm bolt(6A), two flat washers(6B), one lock washer(6C), two nylon washers(6D) and a lock nut(6E).

C: Attached a spring assist cylinder to frame(1) and lower extension arm. Using a M16x130mm bolt(6A), two flat washers(6B), one lock washer(6C), two nylon washers(6D) and a lock nut(6E).

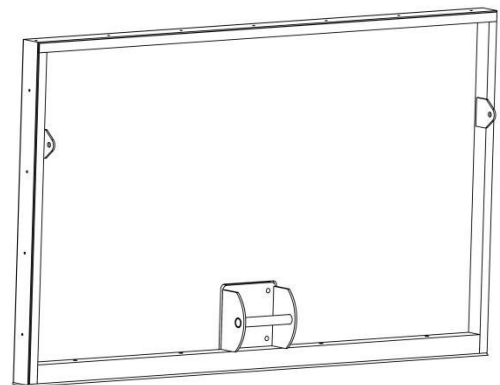
D: Using a M16x130mm bolt(6A), two flat washers(6B), one lock washer(6C), two nylon washers(6D) and a lock nut(6E).



STEP 4 Backboard Attachment

A: Remove backboard from box, using two M12x50mm stainless steel bolts(7A), four flat washers(7B), two lock washers(7C), four nylon washers(7D) and two lock nuts(7E) as shown.

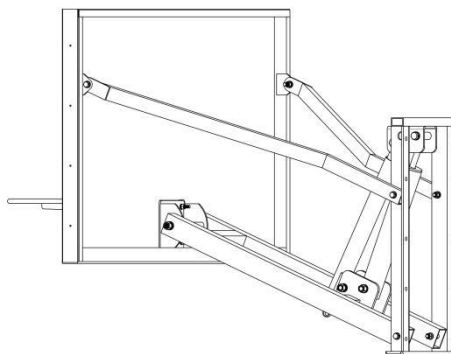
B: Attach lower extension arm to backboard. Using a M16x320 stainless steel bolt(8A), two flat washers(8B), one lock washer(8C), two nylon washer(8D) and a lock nut(8E) as listed.



STEP 5 Adjust and Raise Extension Arm

Note: Make sure extension arms are in lowered position.

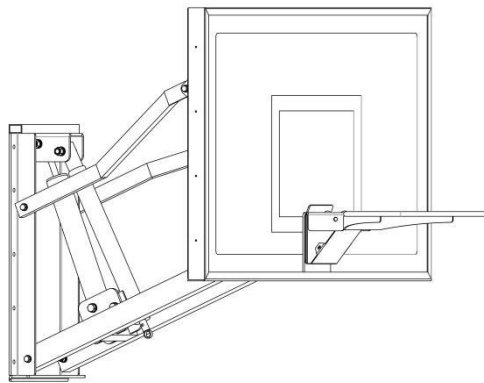
A: Secure the backboard to the main extension arm, lift into position and attach to the extension arms in place (**Do not over tighten**).

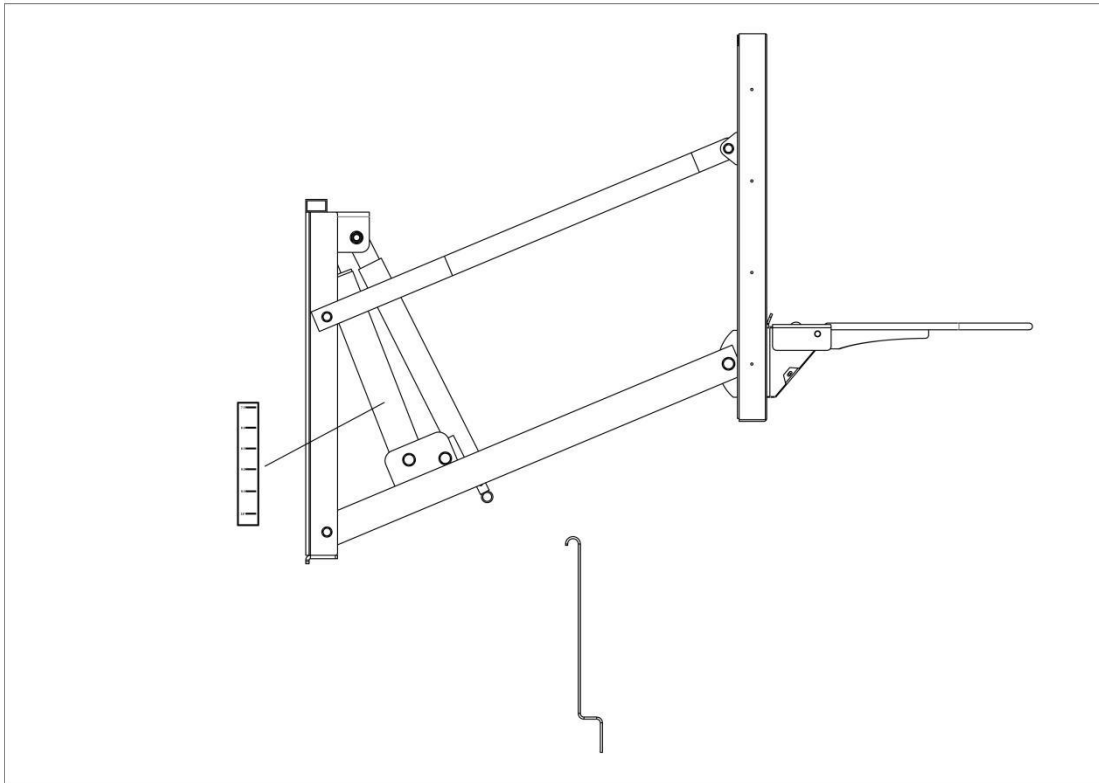


STEP 6 Rim Assembly

A: Rubber gasket is placed between rim plate and bottom of rim before assembling. Attach rim to backboard through top mounting holes with four M10x60 bolts (9A), eight flat washers (9B), four lock washers (9C) and four lock nuts (9D).

B: Use two M6x25 screws (10) to attach rim cover plate. Please make sure rim is level before fastening.





STEP 7 Height Sticker Attachment

A: Rotate crank handle prior to position top of rim 10' above playing surface. Measure distance with a tape measure for maximum accuracy.

B: When the backboard is adjusted to a certain height, you should attach the height sticker to the surface of the spring assist cylinder and align it with the end of the sleeves.

C: Make sure every step you fully tighten the fasteners.

D: Please check all bolts and screws are securely fastening before playing.

Maintenance

There are dozens of factors affecting the life of wall mount basketball hoop system. The climate, exposure to corrosives such as salt, organic materials, pesticides, or herbicides, and excessive use or misuse can all contribute to failure of the basketball system, which may cause property damage or personal injury. Before each use, check the system for loose hardware, excessive wear, abuse, or vandalism or signs of rust or corrosion.

For safety reasons, and to prolong the life of your basketball system, you must take the following preventative measures:

- Check all nuts and bolts. Inspect the threads and replace if necessary. If any are loose, tighten them.
- Check all parts for excessive wear and tear. If necessary, replace any parts that have been worn or damaged through usage.
- Check all sections of the system for visible rust or chipped or cracked paint, and if present, repair appropriately.

IF RUST OR CORROSION HAS PENETRATED ANY COMPONENT, DO NOT PLAY ON THE GOAL AND REPLACE PARTS IMMEDIATELY.

- Clean glass board regularly for maximum performance.
- Inspect the height sticker on the spring assist cylinder. If it is ripped, faded or illegible, contact us for a new replacement sticker.
- Contact us for replacement parts. Use of other parts may cause the goal system to fail, could result in death, serious injury or property damage, and will void the warranty.