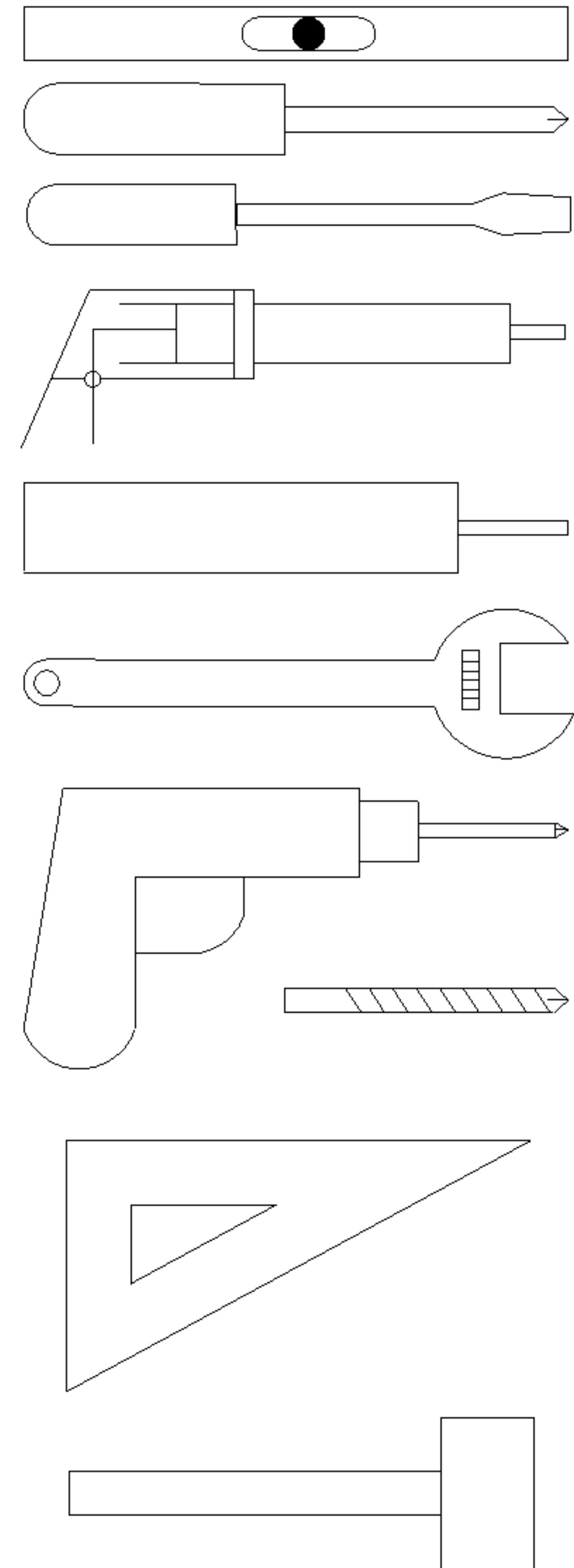
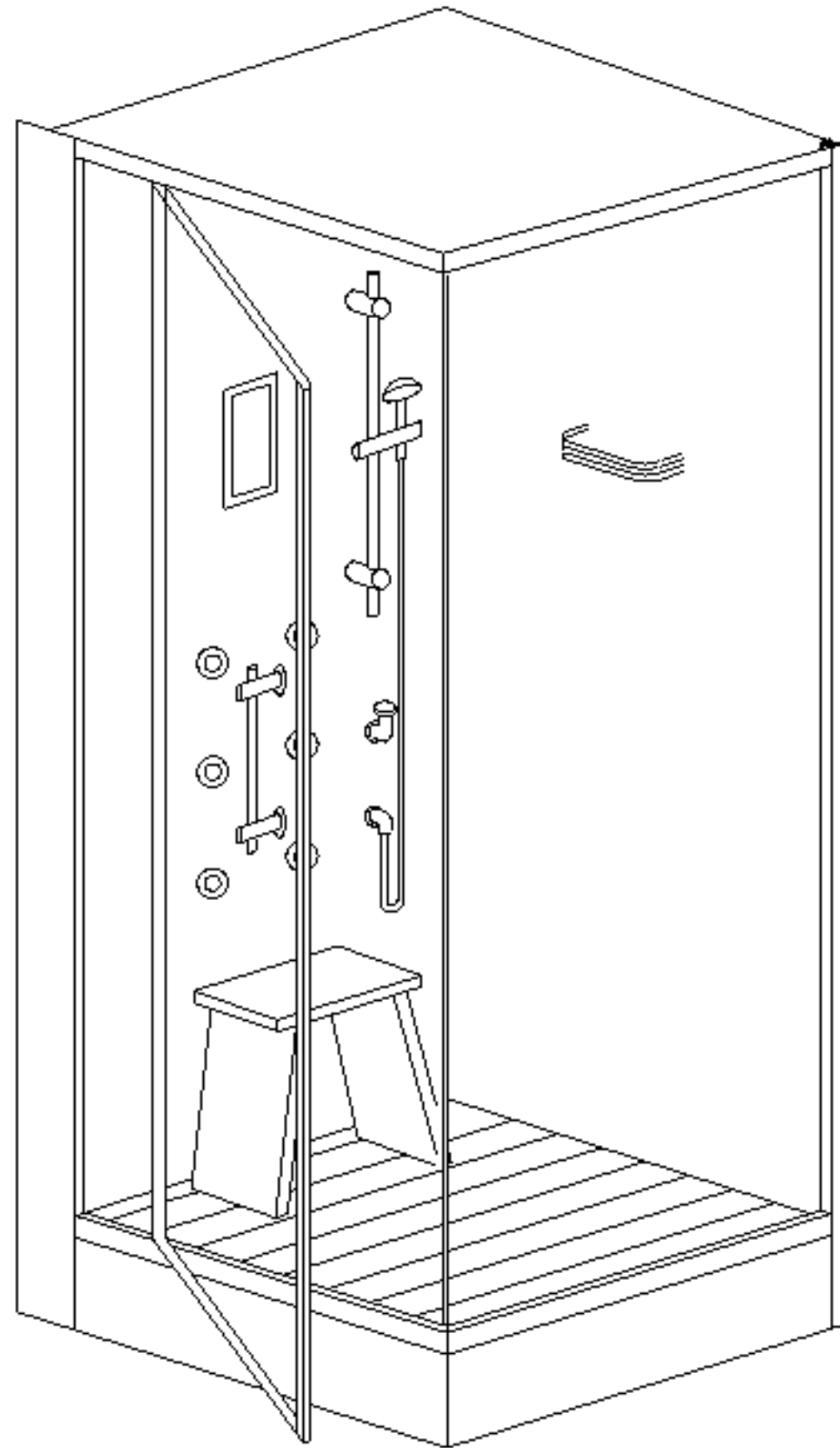
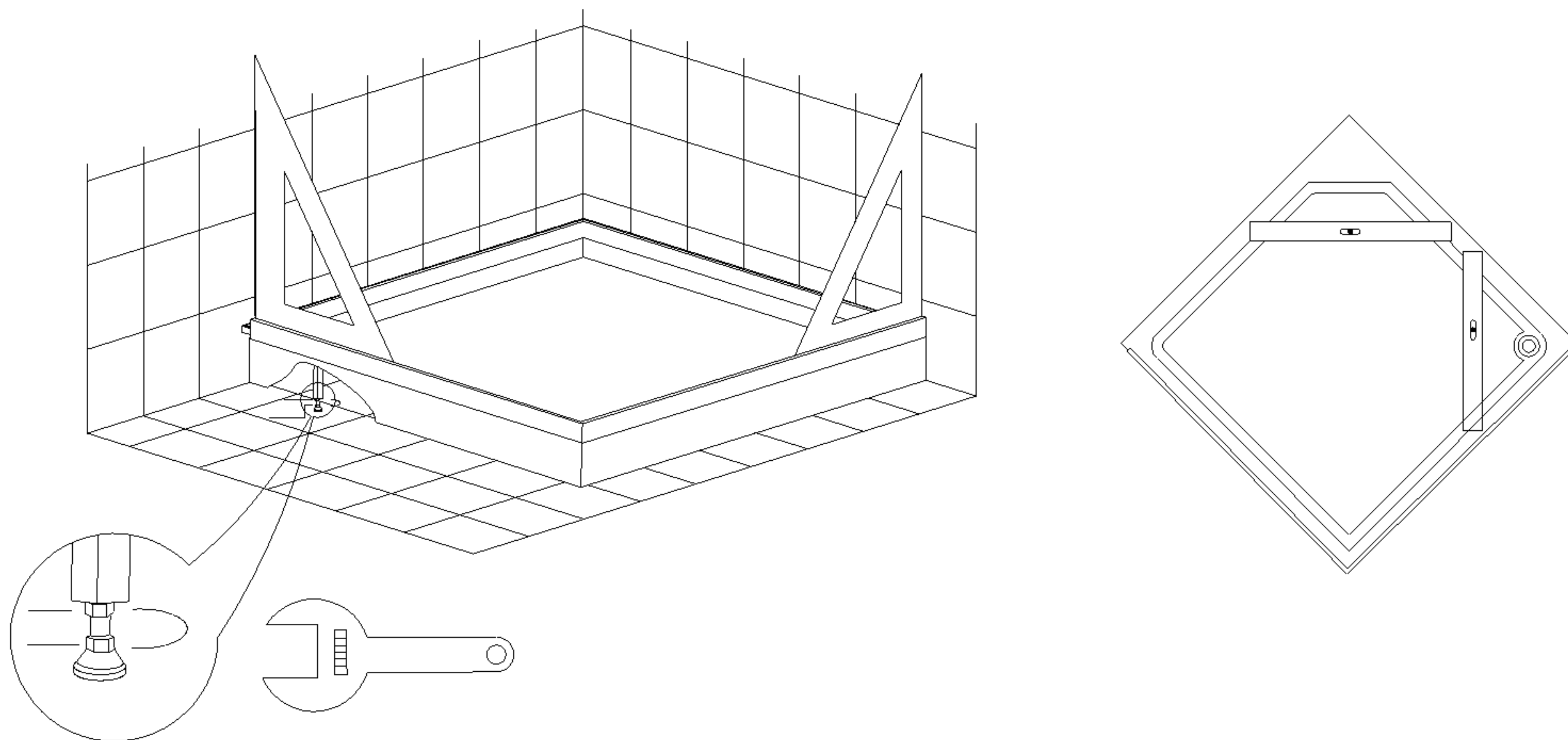


INSTALLATION INSTRUCTION
(FIXED TO WALL)

WS\WR106,107,108,109

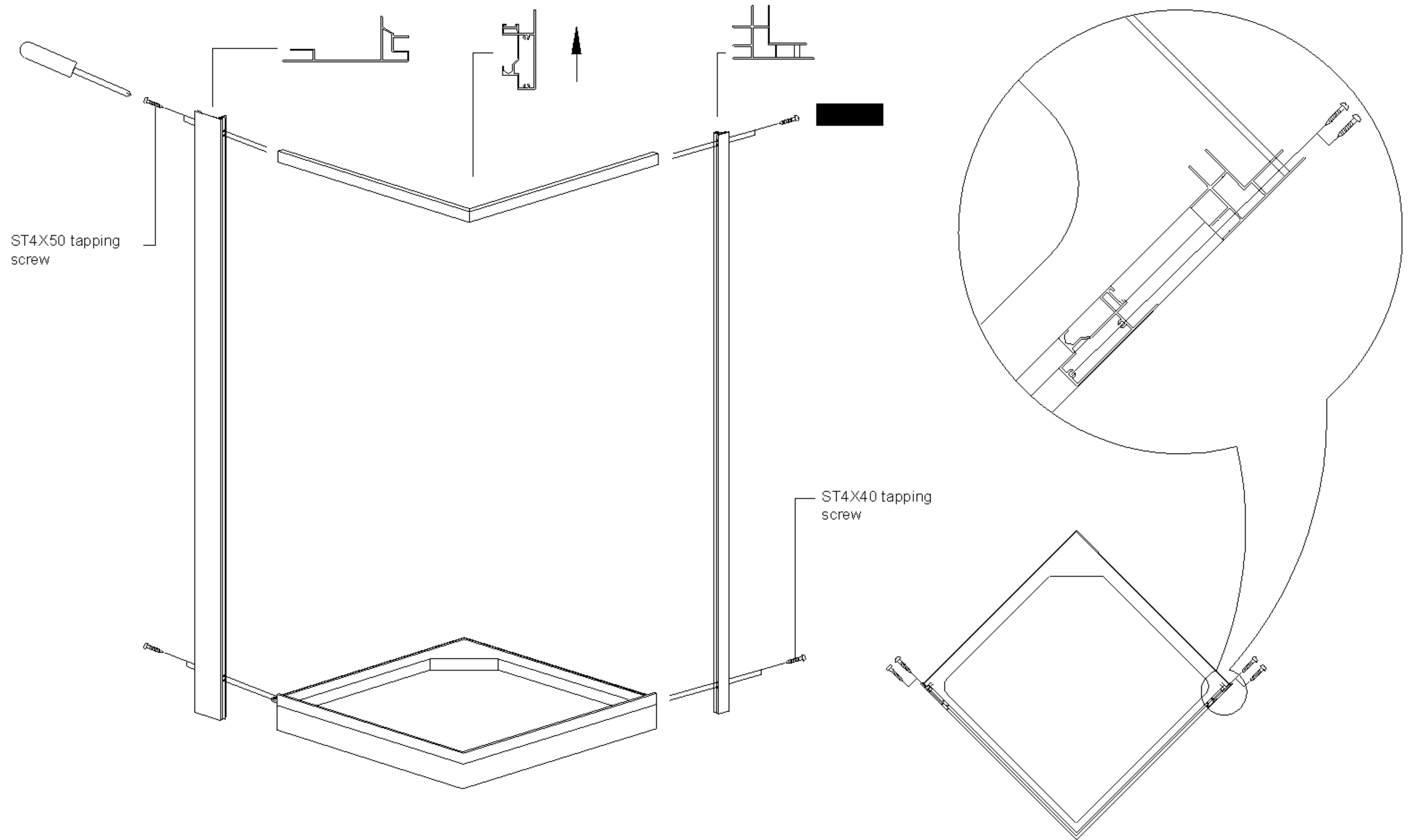


1. Tools used: gradienter, screwdriver, glue gun, glue, spanner, electric drill, $\phi 9$ aiguille, triangle ruler, hammer



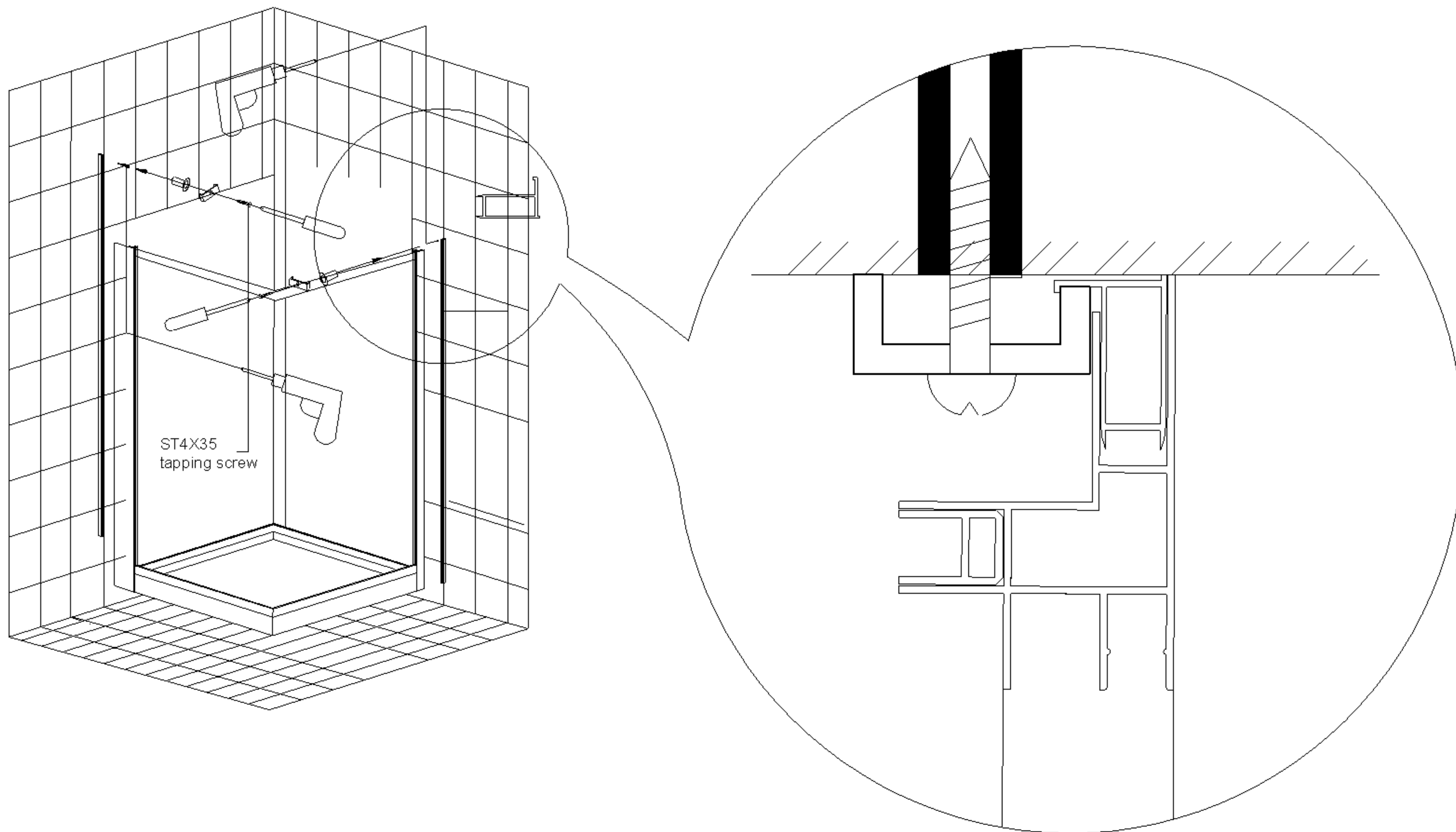
2. Adjust the legs of shower tray:

Adjust the shower tray to make sure the upper surface of the track is vertical with the wall. The upper side of the shower tray shall be level and all the legs shall reach the floor.



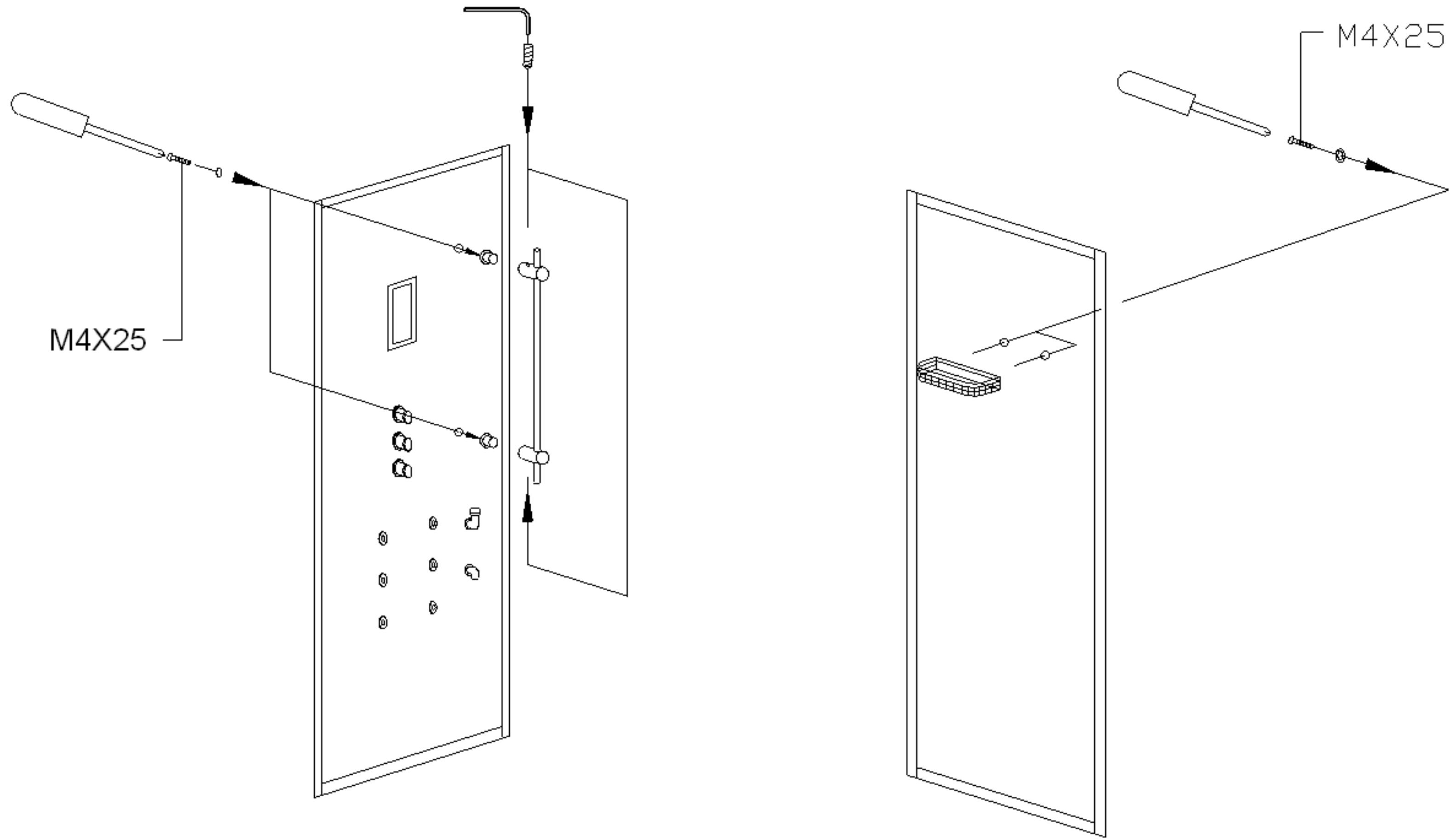
3. Install the door frame

- ① Get the door frame connected to the shower tray.
- ② Get the door frame aluminum profile connected to the upper track.

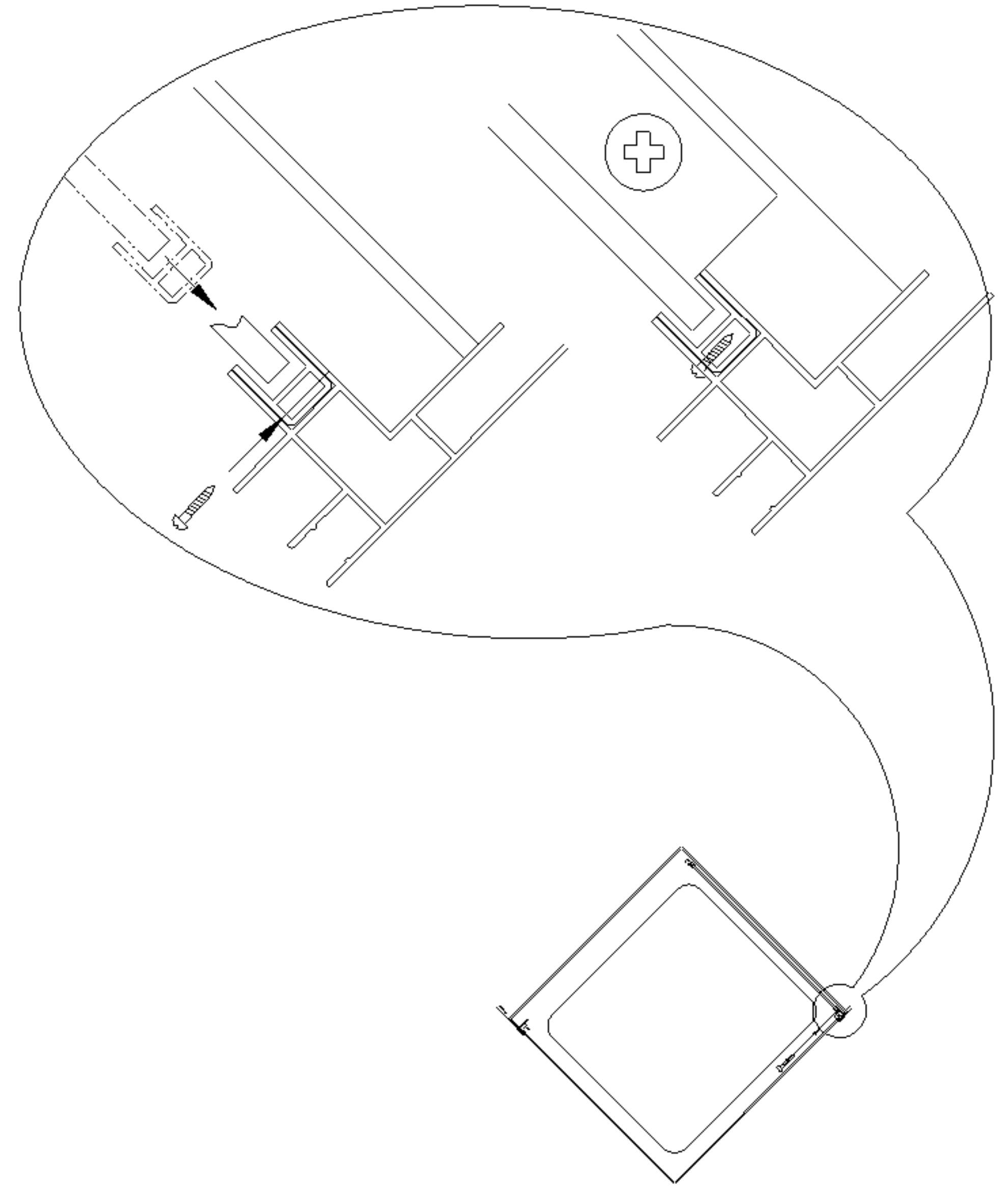
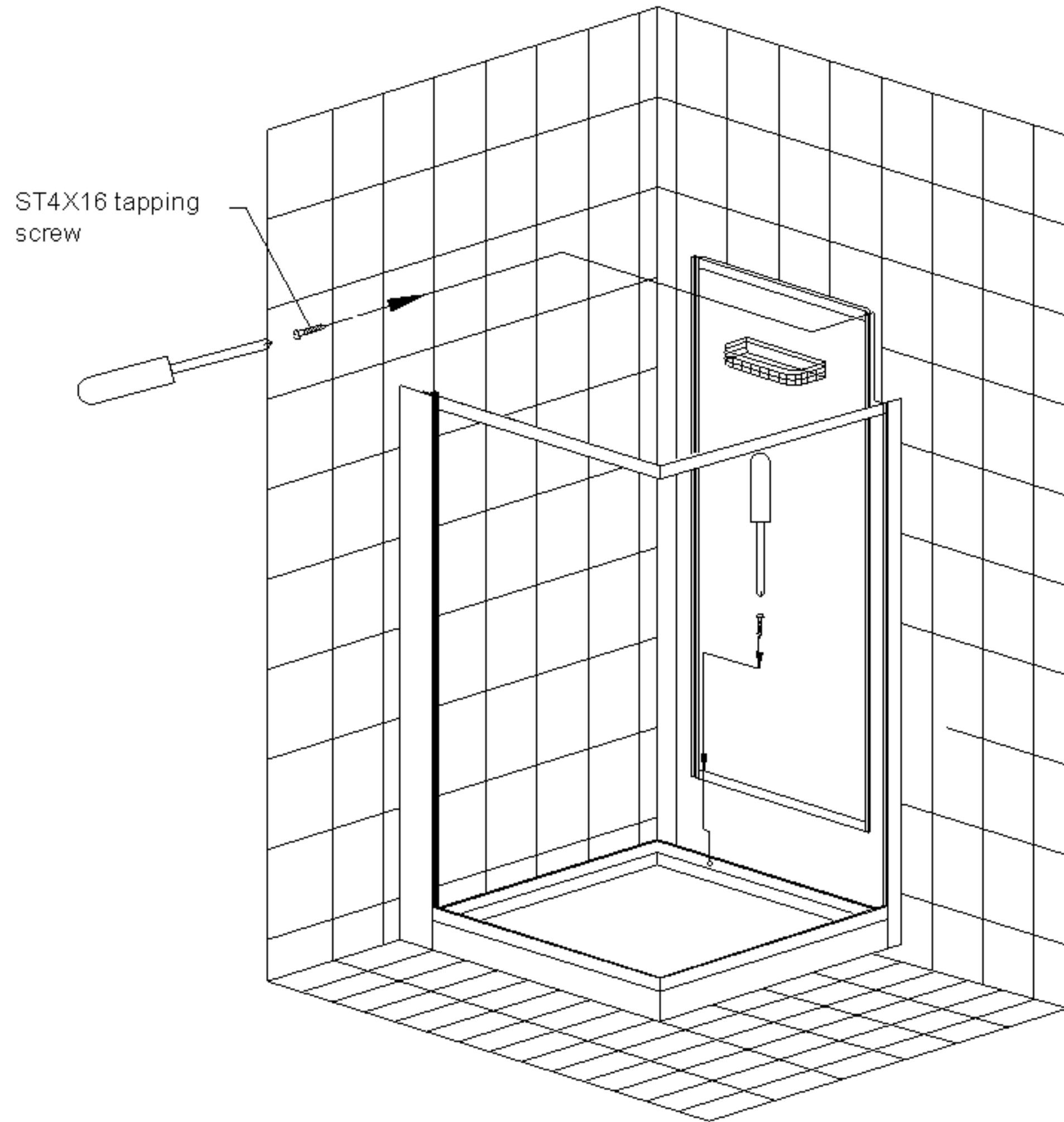


4. Install door frame onto the wall with blocks:

- (1) .Drill $\Phi 9$ holes on wall
- (2) .Install door frame on wall with blocks and tapping screws

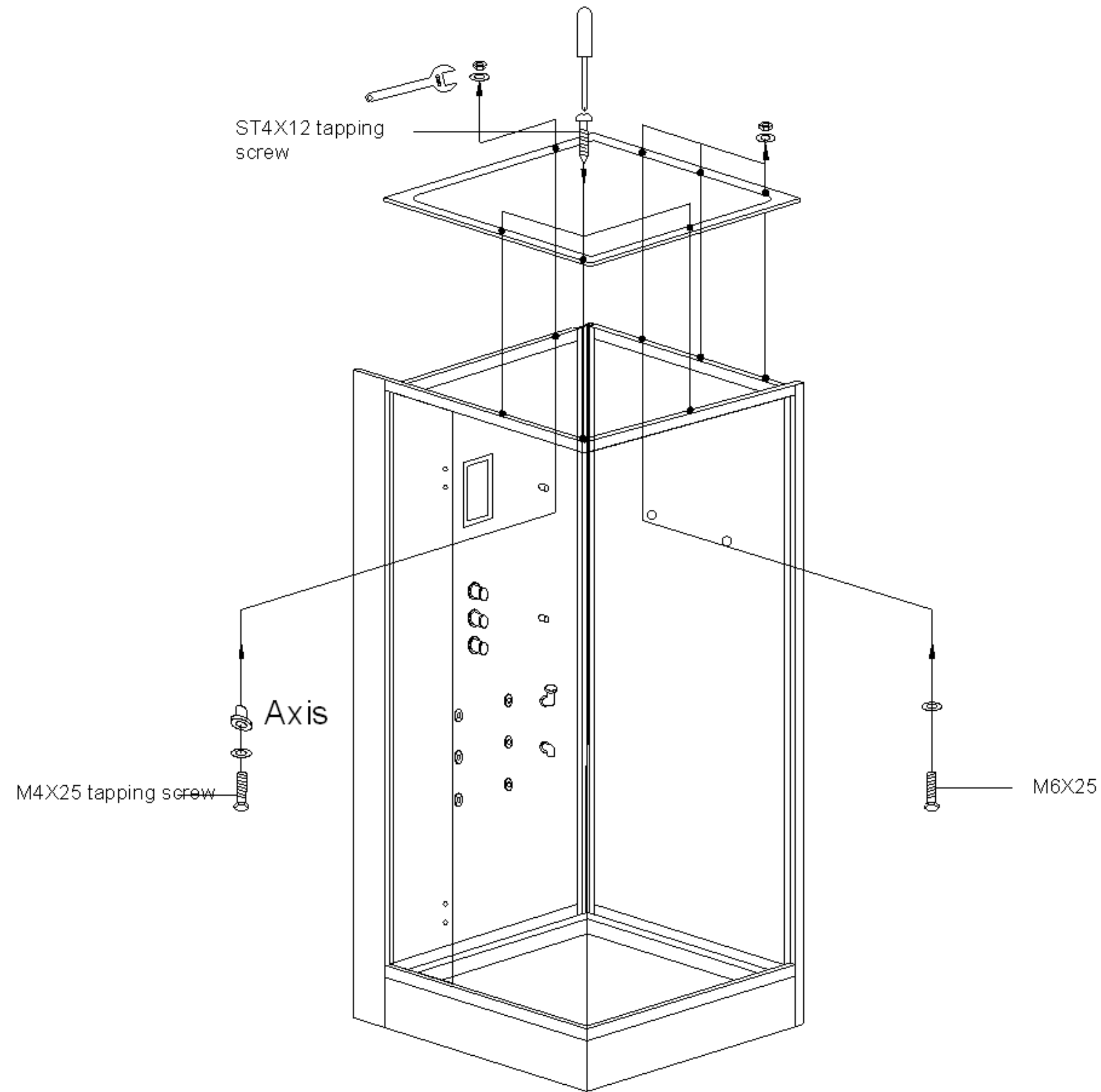


5. Install sliding shower bar and shampo holder



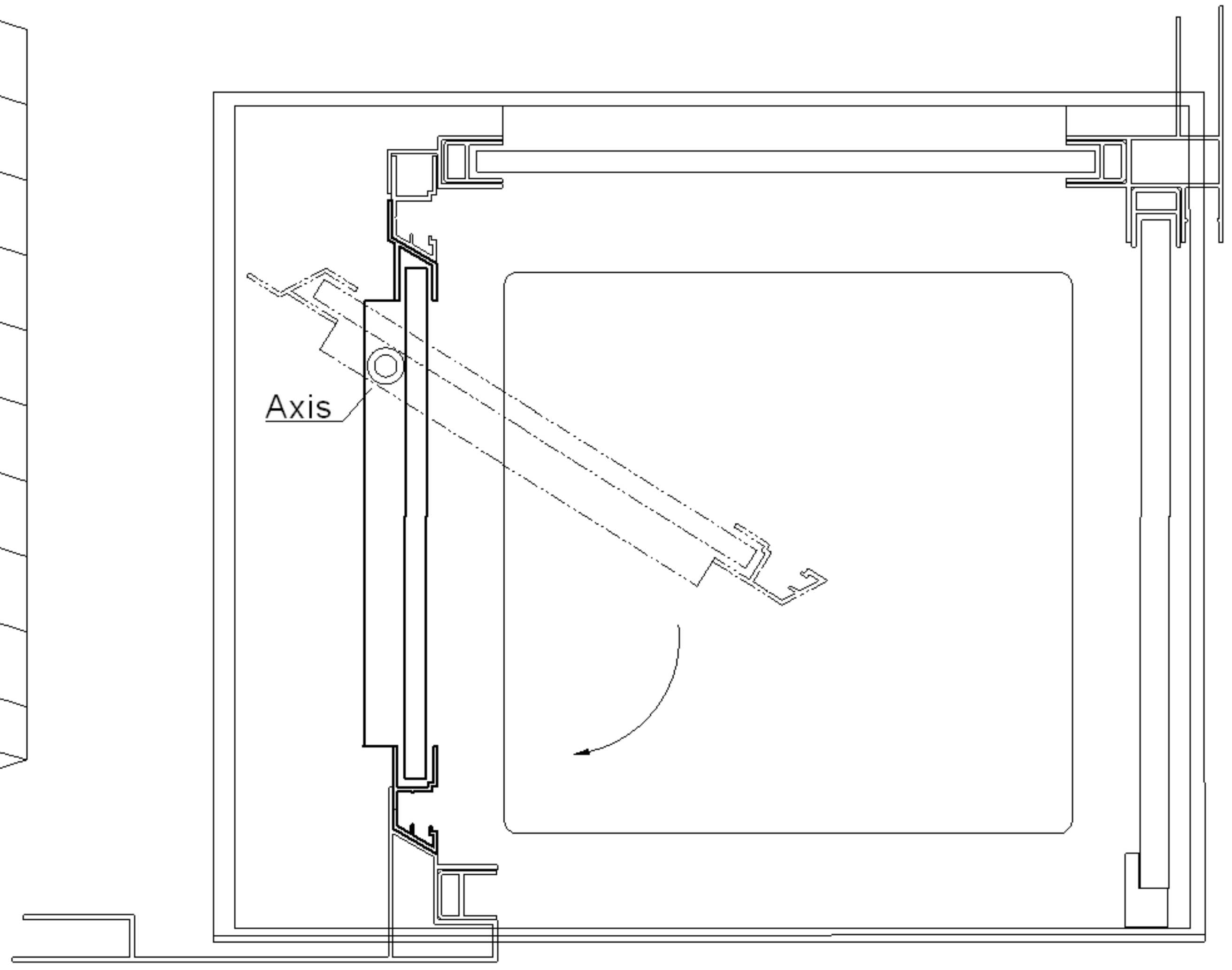
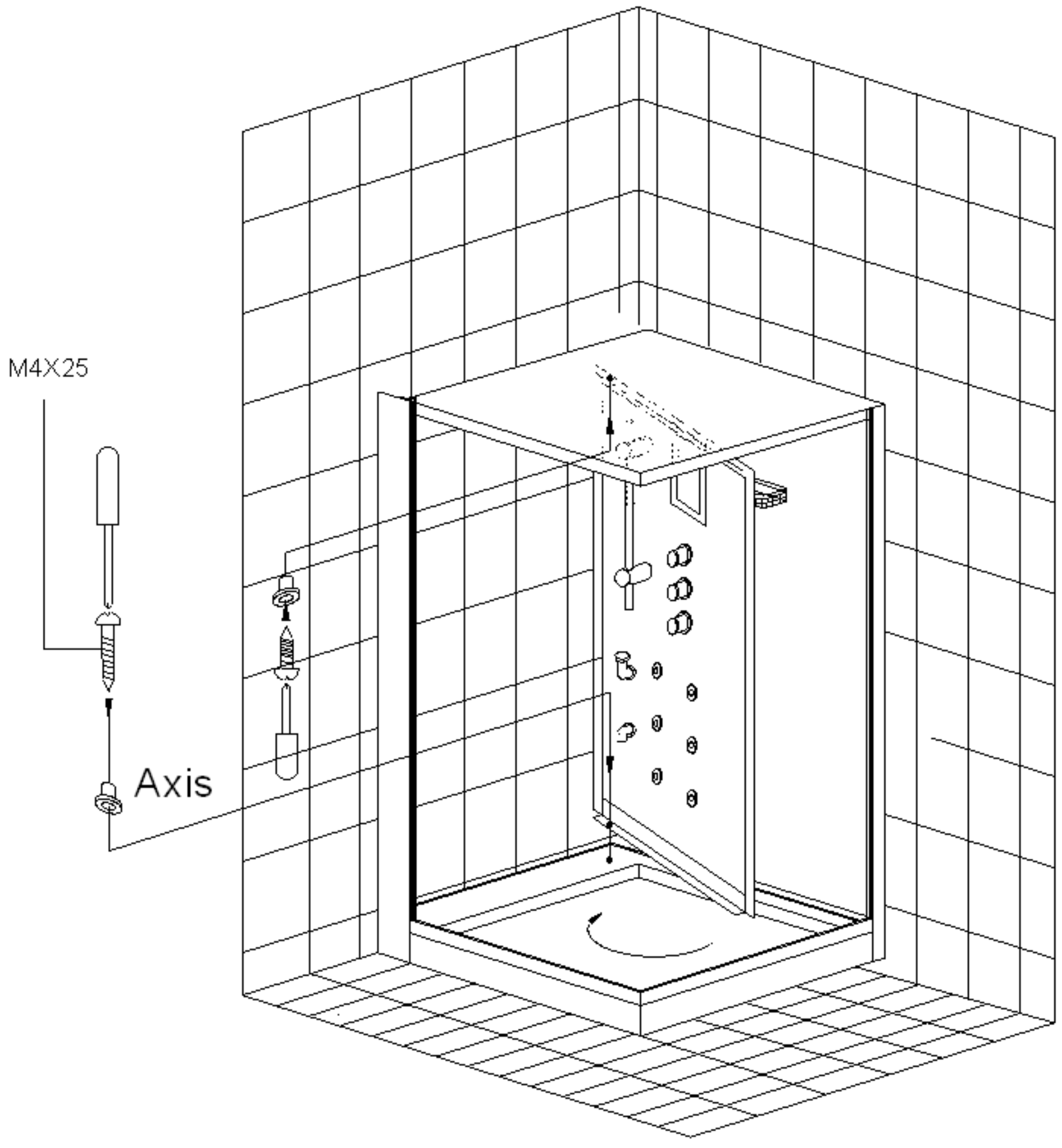
6. Install side back wall to the cabin

- ① Get the glass wall into the door frame and get it fixed with tapping screws.
- ② Fix the glass wall onto the shower tray.

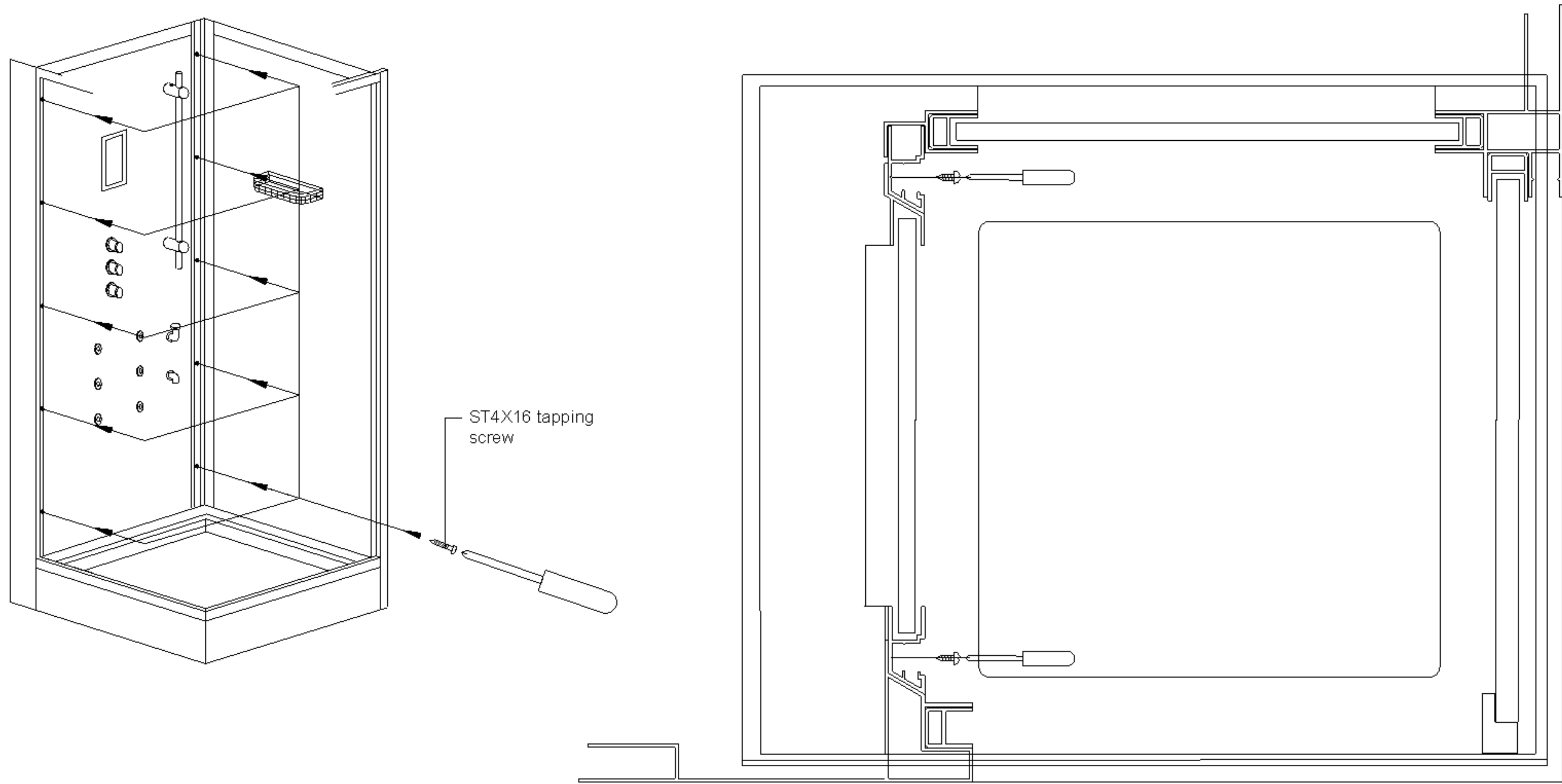


7. Install cover

- ① Get cover installed onto the body of the cabin through screws and nuts.
- ② Connect cover to upper track with tapping screws.



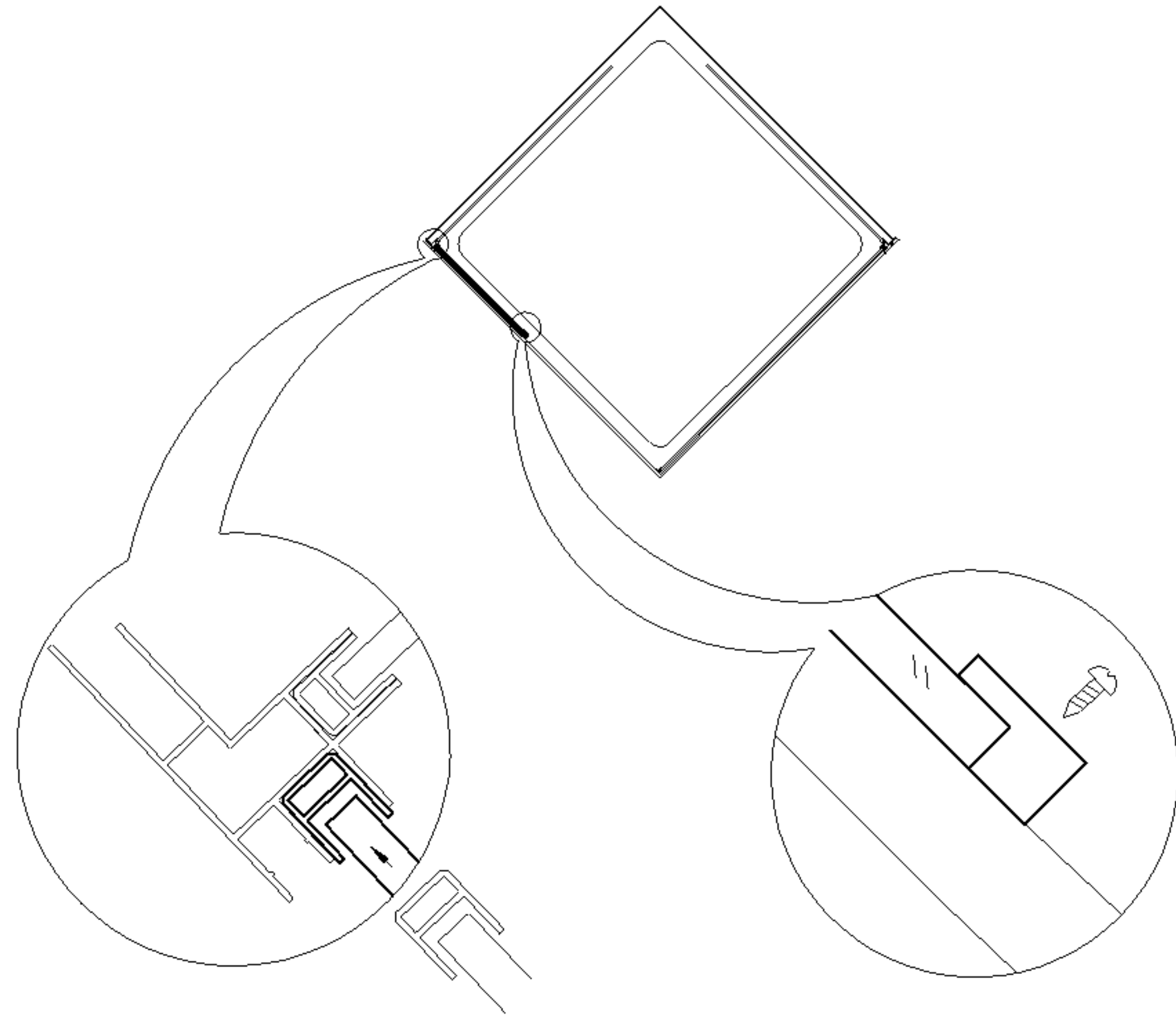
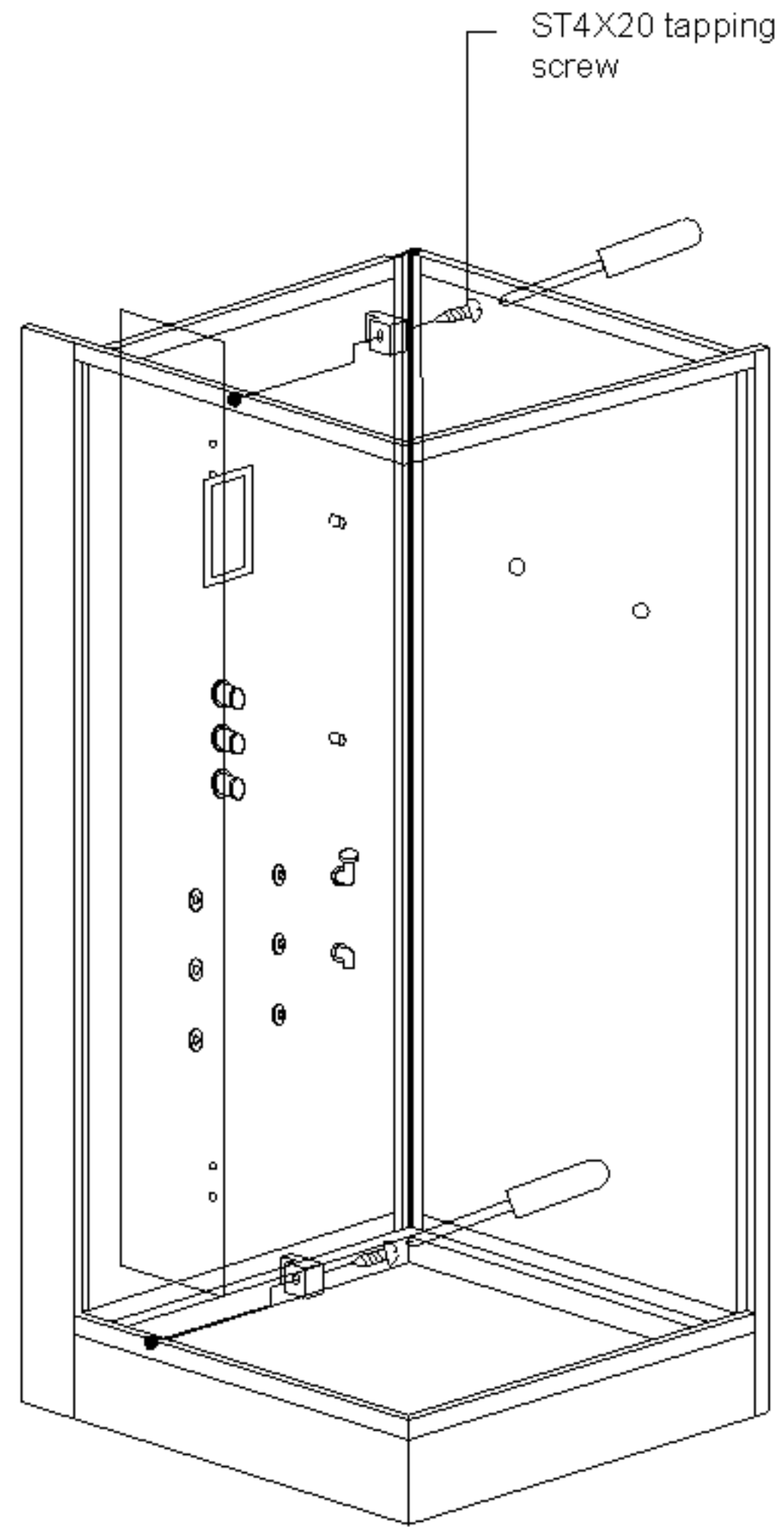
8. Install the back panel??Get the back panel connected to the shower tray with screw and axis.



9. Install the back panel

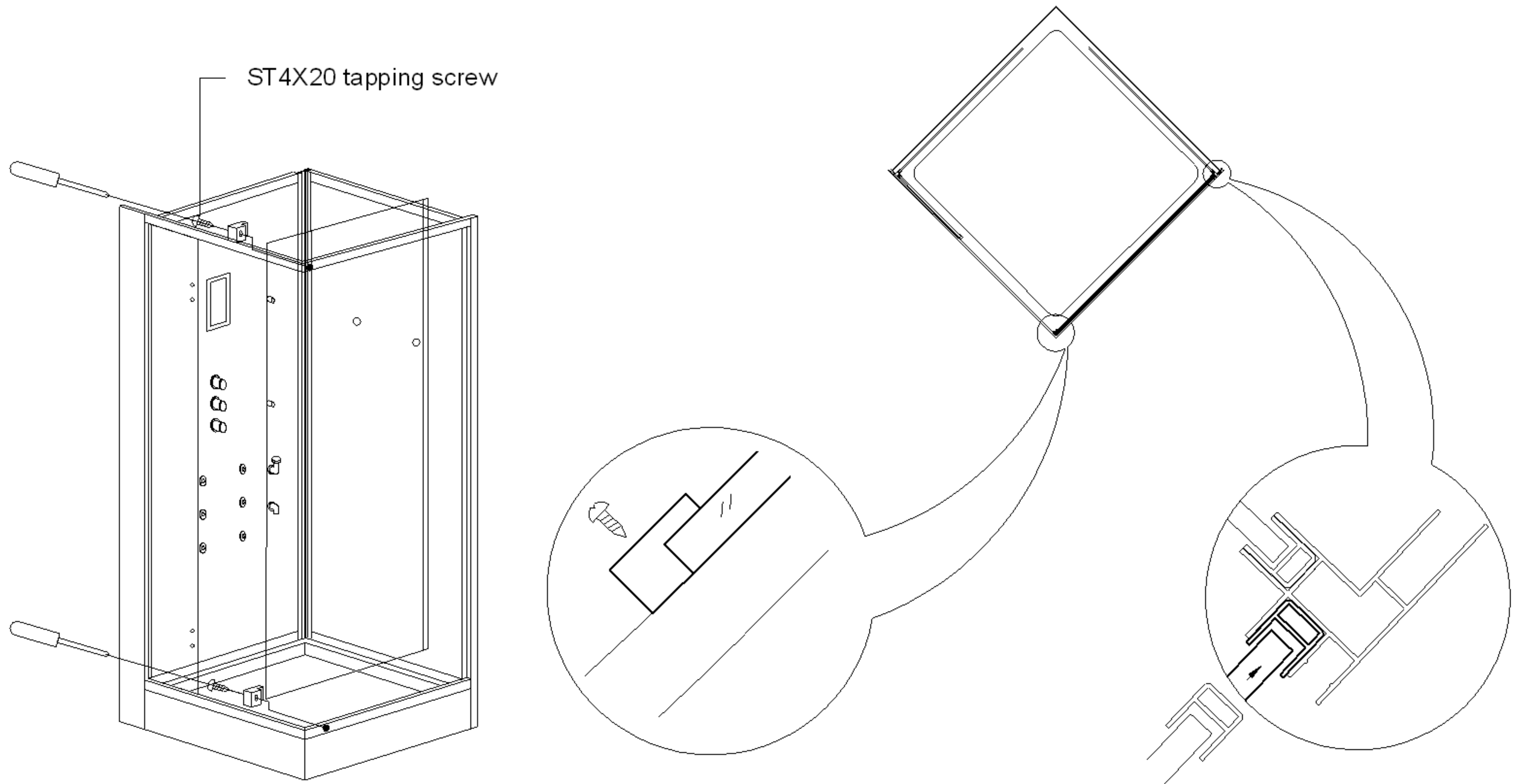
1???. Get water supply and power supply connected

2???. Get the back panel connected to the glass back wall with tapping screws.



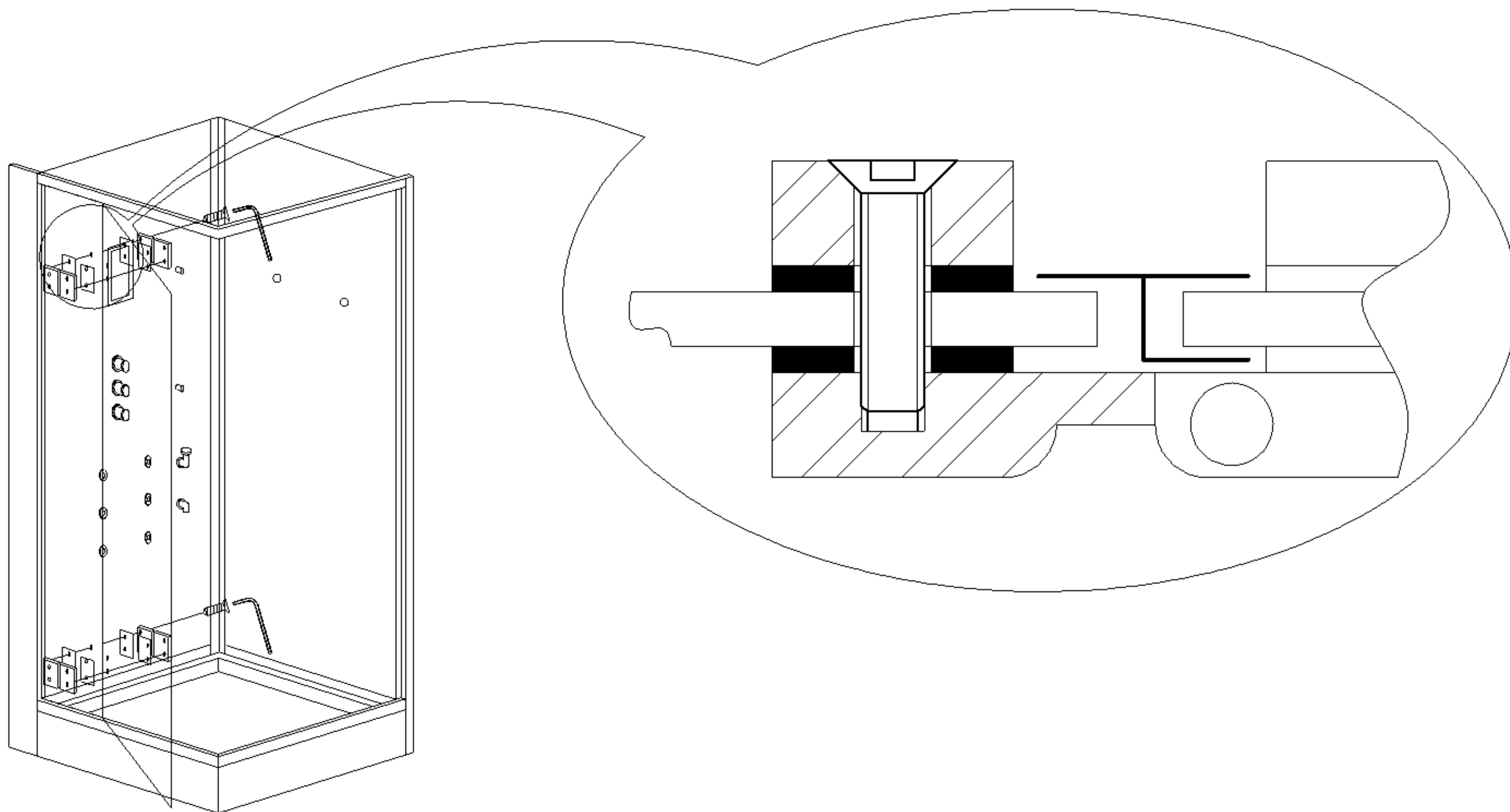
10. Install fixed glass door

Get one side of the fixed door into door frame. Install the other side of the glass door onto the track with blocks on both ends through tapping screws.

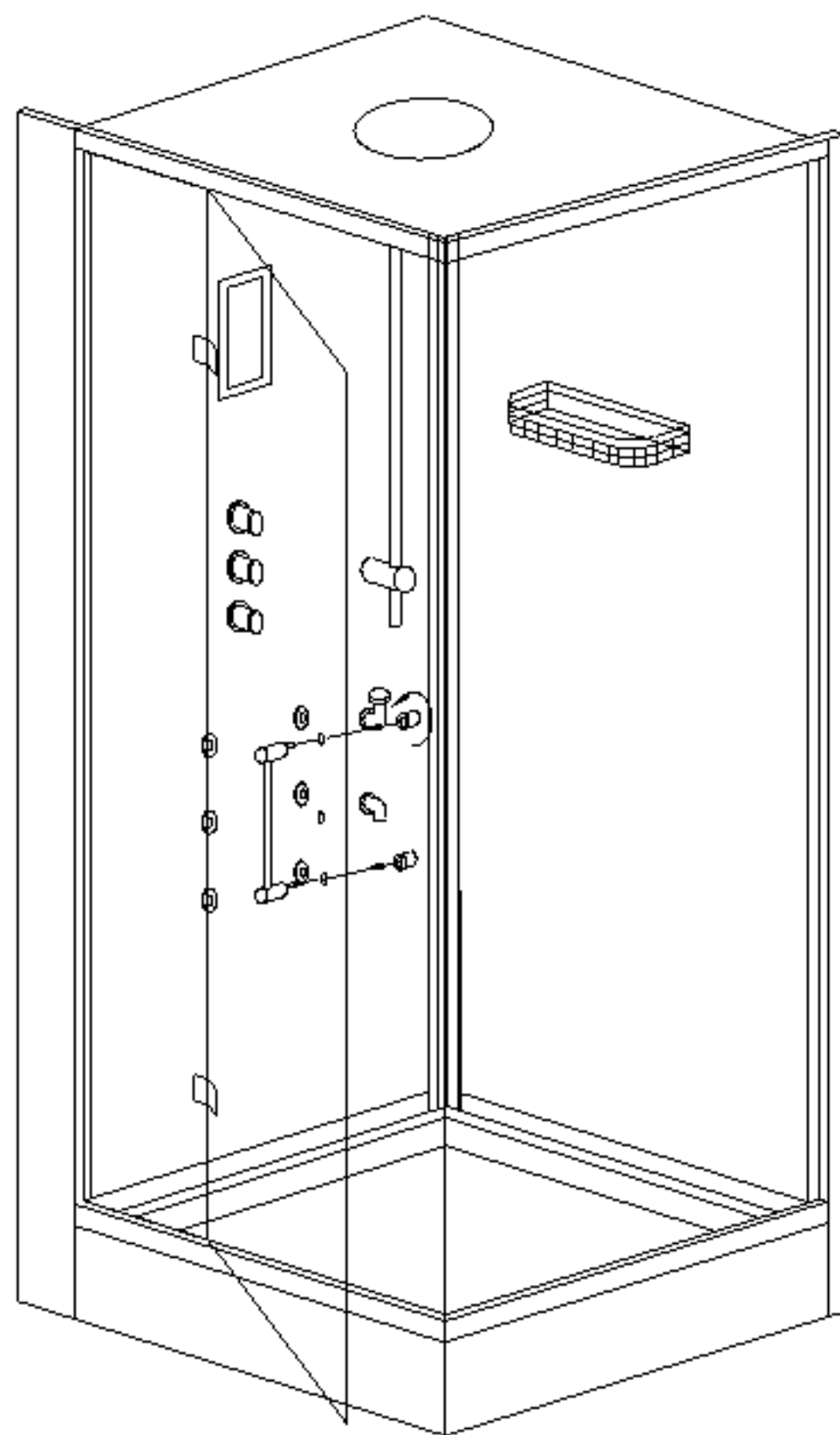


11. Install fixed glass door

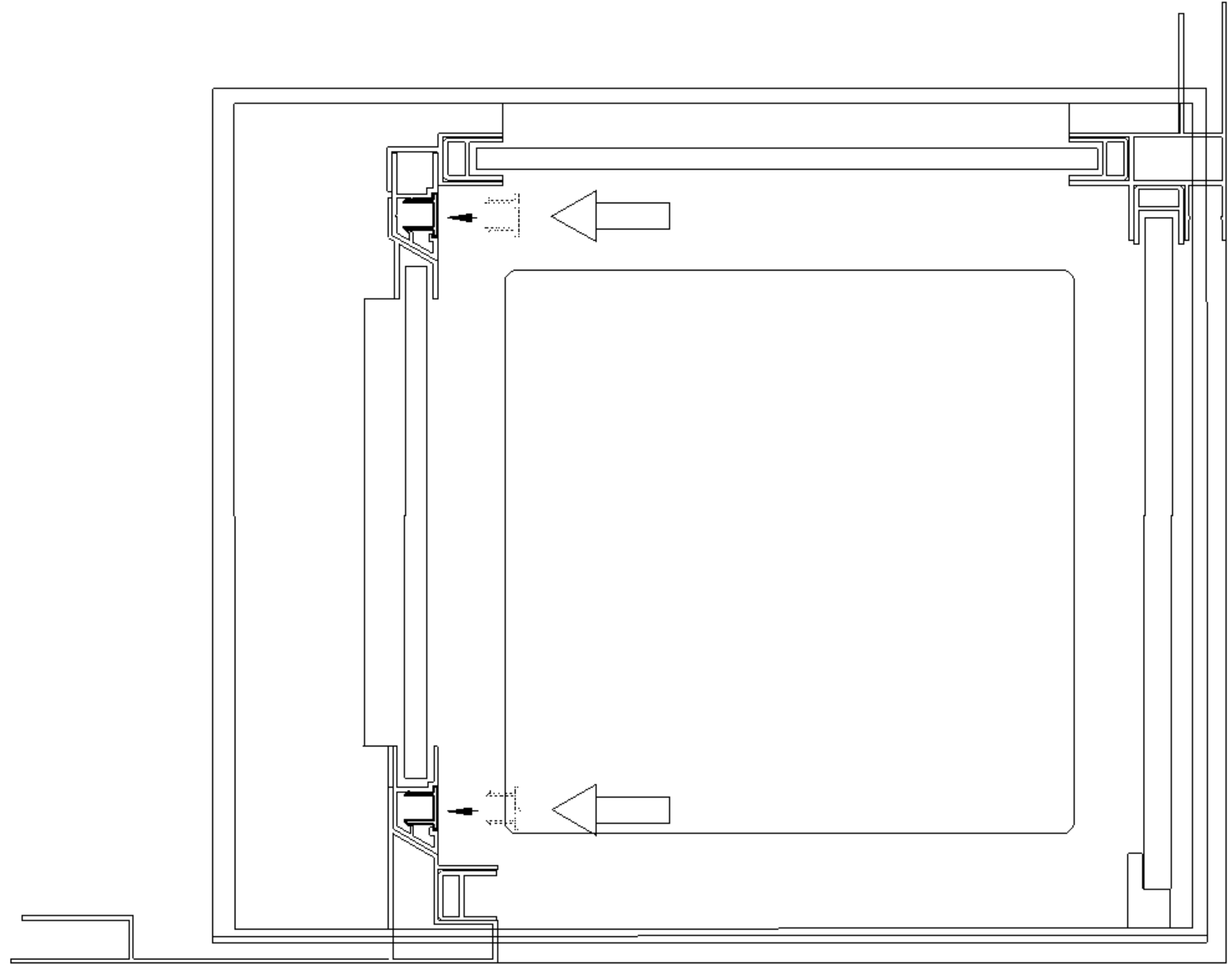
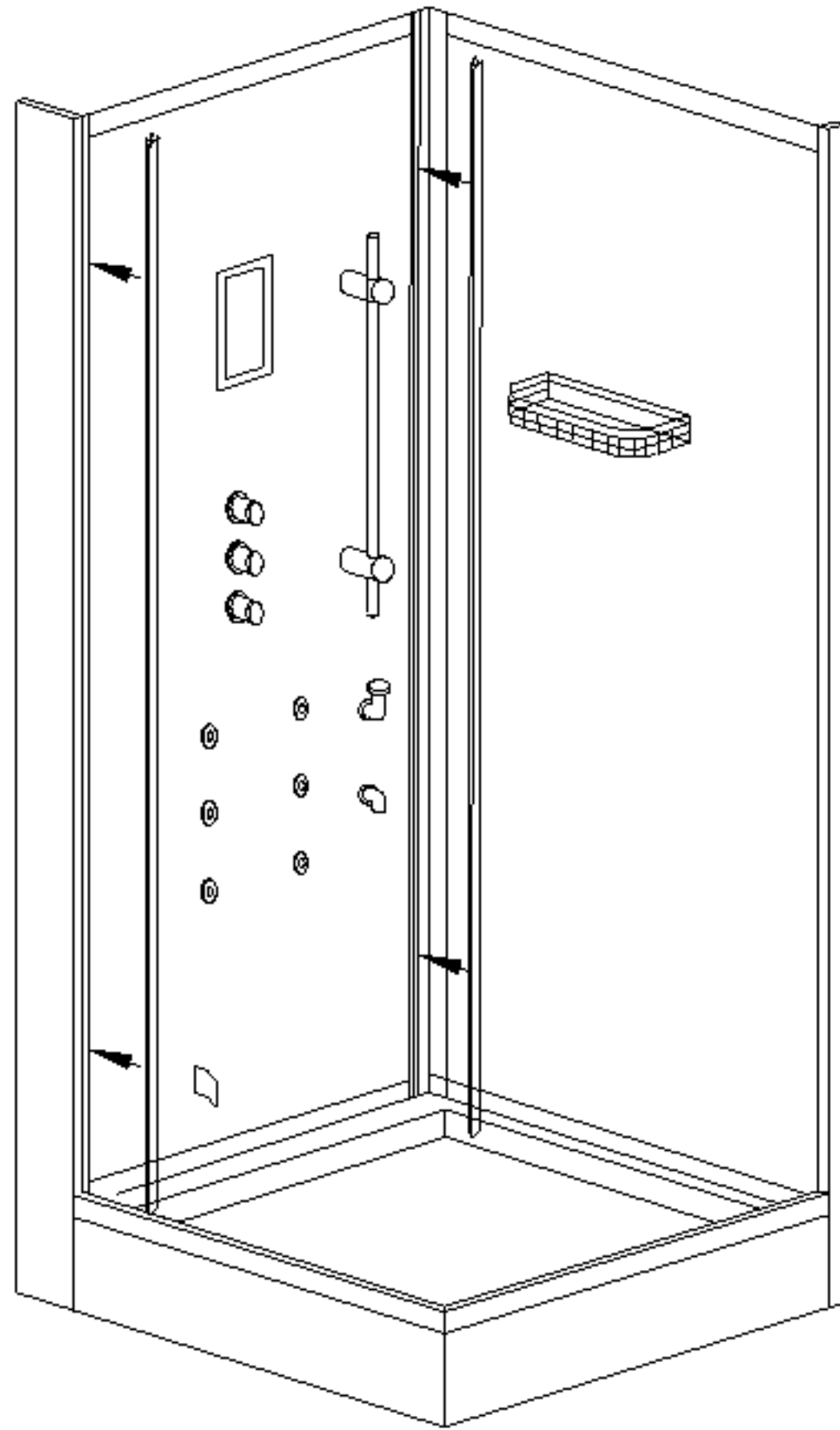
Get one side of the fixed door into door frame. Install the other side of the glass door onto the track with blocks on both ends through tapping screws.



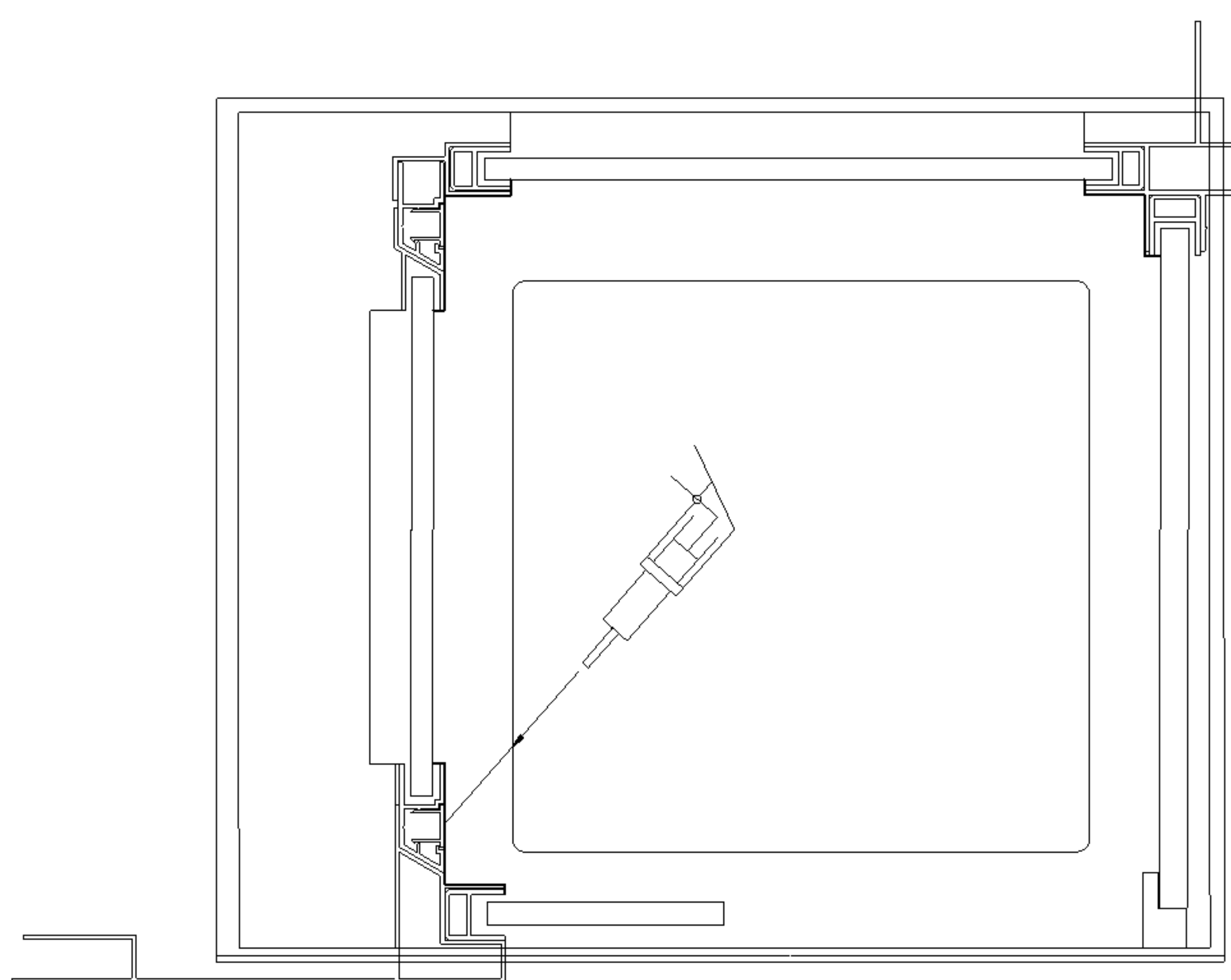
12. Install the door



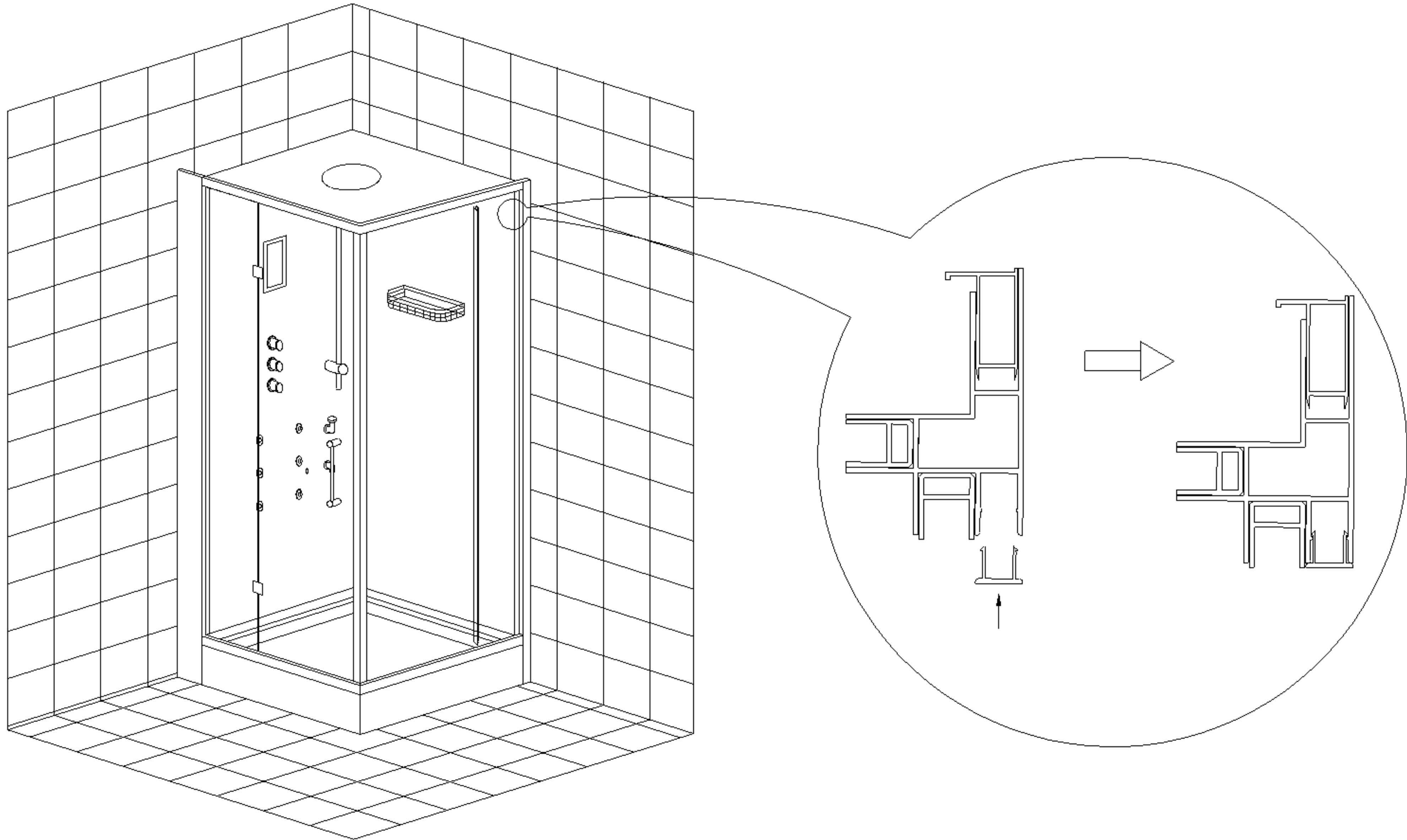
13. Install door handle.



14. Get the aluminum profile in.



15. Apply silicone. No using within 24 hours



16. Get in the decoration aluminum profile.