

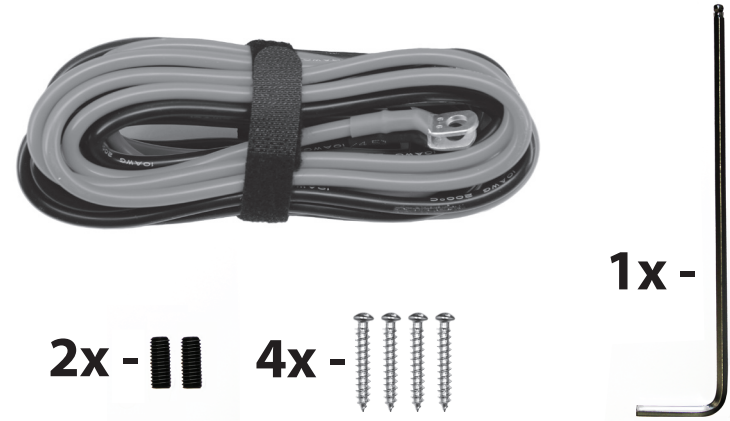


## Savanna CC™ Charge Controller

Quick Start Guide | Guía de inicio rápido | Guide de démarrage rapide

### Specs

Savanna CC Info	
Charge Controller Type:	MPPT
Rated Charge Current:	30A
Nominal System Voltage:	12V
Max Input Voltage:	23.8V
Average Efficiency:	95%
Max Solar Input:	400W
Dimensions:	6.5" x 3.5" x 1.75"
Weight:	0.86 lbs



385.375.8191  
Monday - Friday  
9:00 AM - 5:00 PM



735 S. Auto Mall Drive  
Suite 200  
American Fork, UT 84003



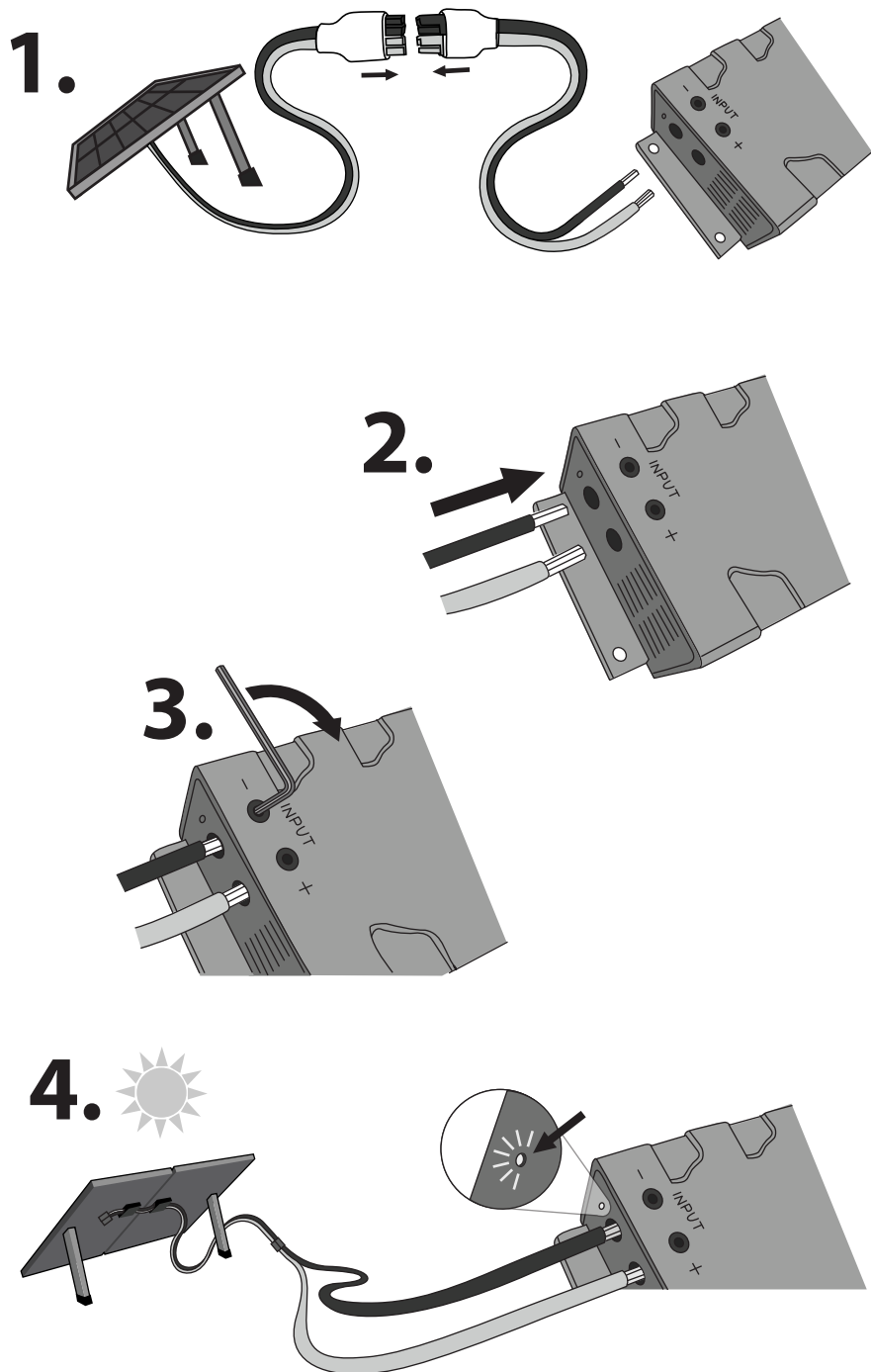
info@lionenergy.com  
www.lionenergy.com  
@lionenergy

1x -

2x -

4x -

### INPUT - Wiring from the Solar Panel to the Savanna CC



### OUTPUT - Wiring from the Savanna CC to the battery

