



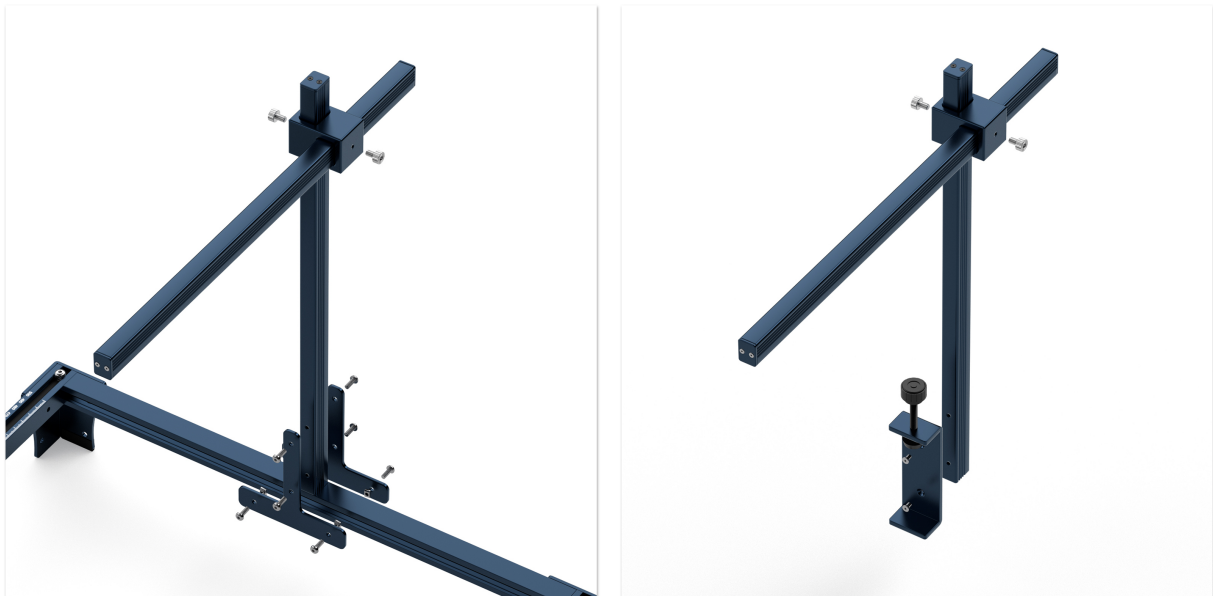
## SCULPFUN CAM500 Camera Assembly Instruction

### Packing List:

1. Camera Horizontal Rod Assembly
2. Camera Vertical Rod Assembly
3. T-shaped Fixation Clamp
4. Camera Slider (Rod Connector)
5. U-shaped Fixation Clamp
6. Screw Bag
7. Basswood Plywood
8. A5 Size Image Calibration Paper
9. User Manual
10. Soft Ruler



## Product Assembly Instruction



**\*Notice:** With the camera well aligned, please make the objects as close to the center of the camera as possible. (Within the 400\*400mm working area) The precision will be decreased as the engraving objects are moved away from the camera center.

Scan the QR code below to get the detailed assembly and function demonstration tutorials as well as the Official LightBurn guidance document: <https://docs.lightburnsoftware.com/Camera/index.html>



For Laser Engraver technical support and service, Please email: [support@sculpfun.com](mailto:support@sculpfun.com)



This is the latest web manual, and a detailed youtube video tutorial is attached.