

Acoustic Isolating Sleeve Type IS

Base Plate Fastenings

APPLICATION

To ensure that bolts used to hold isolators down to foundations are acoustically isolated from the base plate. Isolation sleeves can be used to de-couple equipment and cabinetry from surrounding structures to avoid bridging the isolation system they are located on.

INSTALLATION

Isolating sleeves should only be tightened a half turn more than hand tight.

TECHNICAL ASSISTANCE

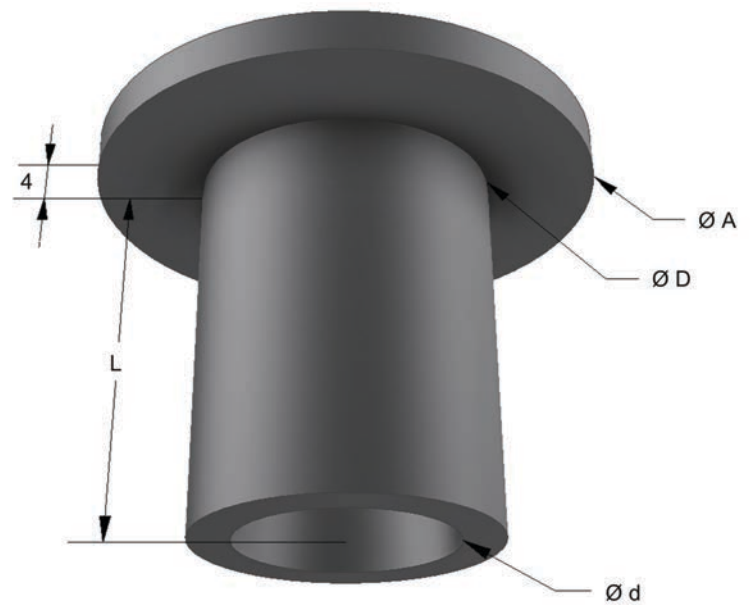
All Embelton offices can provide detailed technical assistance on the use of this product in specific applications.

CONDITIONS OF SALE

These products are sold subject to the published Embelton General Conditions of Sale, copies of which maybe inspected on request.

SPECIFICATION

Acoustic isolating sleeves for bolted connection isolation shall incorporate flexible rubber components to prevent bolt contact between the fastening and the plate and a steel loading washer. They shall be type IS as supplied by Embelton.



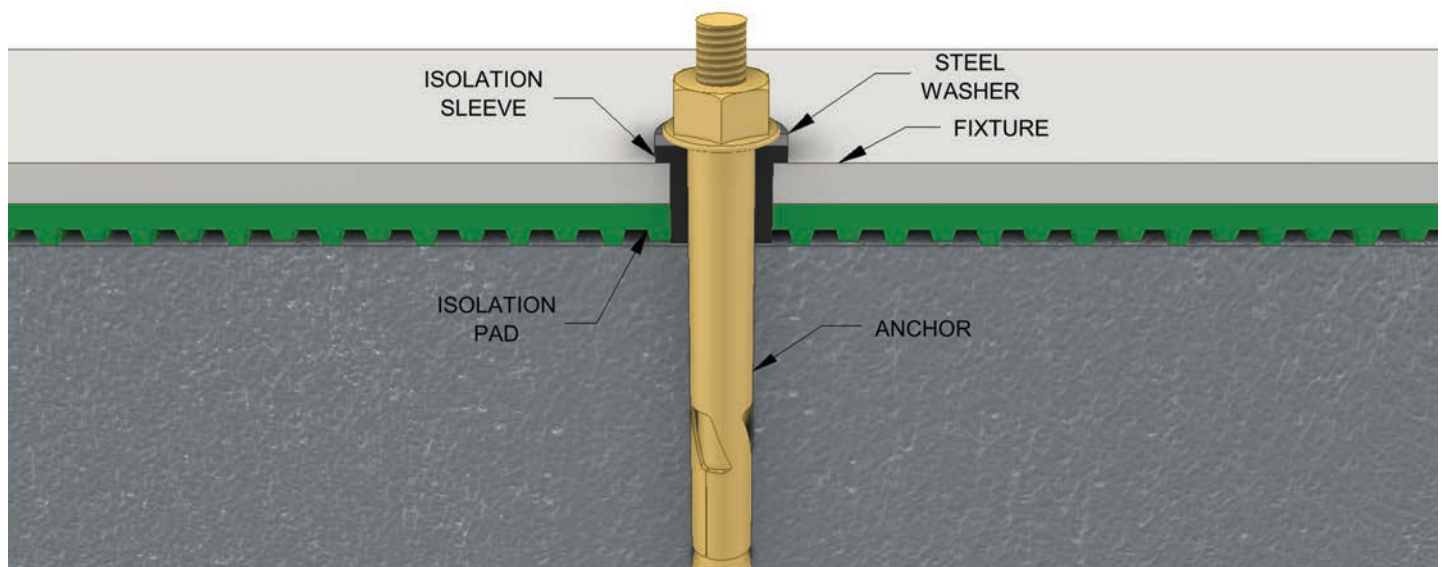
SLEEVE VIEW

IS PRODUCT GUIDE

Type	d mm	D mm	A mm	L mm
IS10-36	10.5	19	50	36
IS12-36	12.5	21	50	36
IS16-36	16	24	50	36
IS20-36	21	30	50	36

* Length (L) to be cut to size on site as required

*Additional sizes can be manufactured for custom orders



SLEEVE ANCHORED