

# Ceiling Hanger Type DWCH

Single Deflection Rubber

## APPLICATION

Typically used for suspended architectural ceilings, where a low cost, low deflection hanger is required for the effective isolation of noise and vibration from the levels above and below the ceiling.

The DWCH hanger is designed for wire attachment both to the support structure and the ceiling structure.

## FEATURES

- For use with standard 5mm diameter ceiling suspension rods
- Static deflection of 5mm
- Natural rubber element for long life

## DYNAMIC CHARACTERISTICS

Rubber mounts differ from spring mounts in that the natural frequency is a function not only of deflection, but also of the rubber hardness (durometer), an indication of rubber's damping capabilities.

## PERFORMANCE CHARACTERISTICS

Axial loads: Load deflection is close to linear from 10% to 100% load.

Creep: Maximum 4% deflection per decade of time (ref 1 minute).

## HANGER SELECTION

When selecting hangers, it is recommended that the calculated mass of the ceiling is overestimated by 10-20% to avoid overloading of any element. If maximum rated deflections are required, then ceiling should be weighed and an accurate assessment of loads made.

## INSTALLATION

The DWCH hanger is designed for wire hook attachment both to the support structure and the ceiling structure.

## TECHNICAL ASSISTANCE

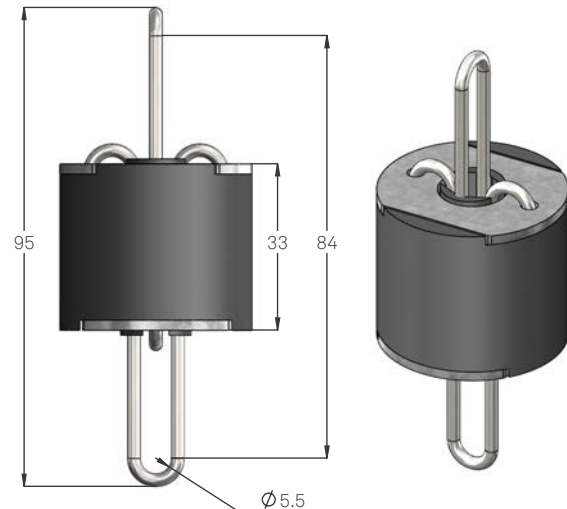
All Embelton offices can provide detailed technical assistance on the use of this product in specific applications.

## CONDITIONS OF SALE

These products are sold subject to the published Embelton General Conditions of Sale, copies of which may be inspected on request.

## SPECIFICATION

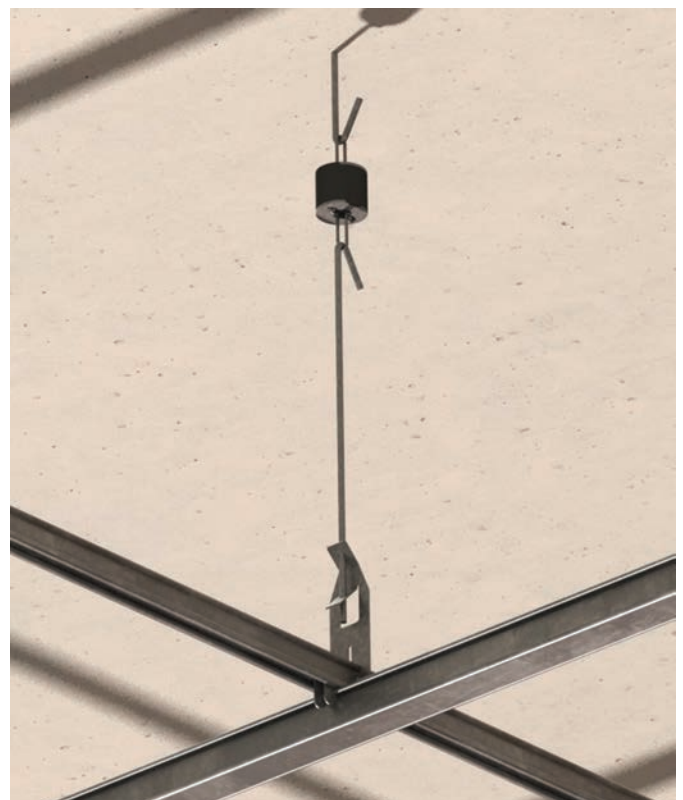
Ceiling hanger shall have an active rubber element with a deflection under rated load of 5mm. The hanger must be used for wire attachments. They shall be type DWCH as supplied by Embelton.



DWCH DIMENSIONS

## DWCH PRODUCT GUIDE

| Bracket | Load Range kg | Static Deflection mm |
|---------|---------------|----------------------|
| DWCH    | 25-50         | 5                    |



DWCH INSTALLATION