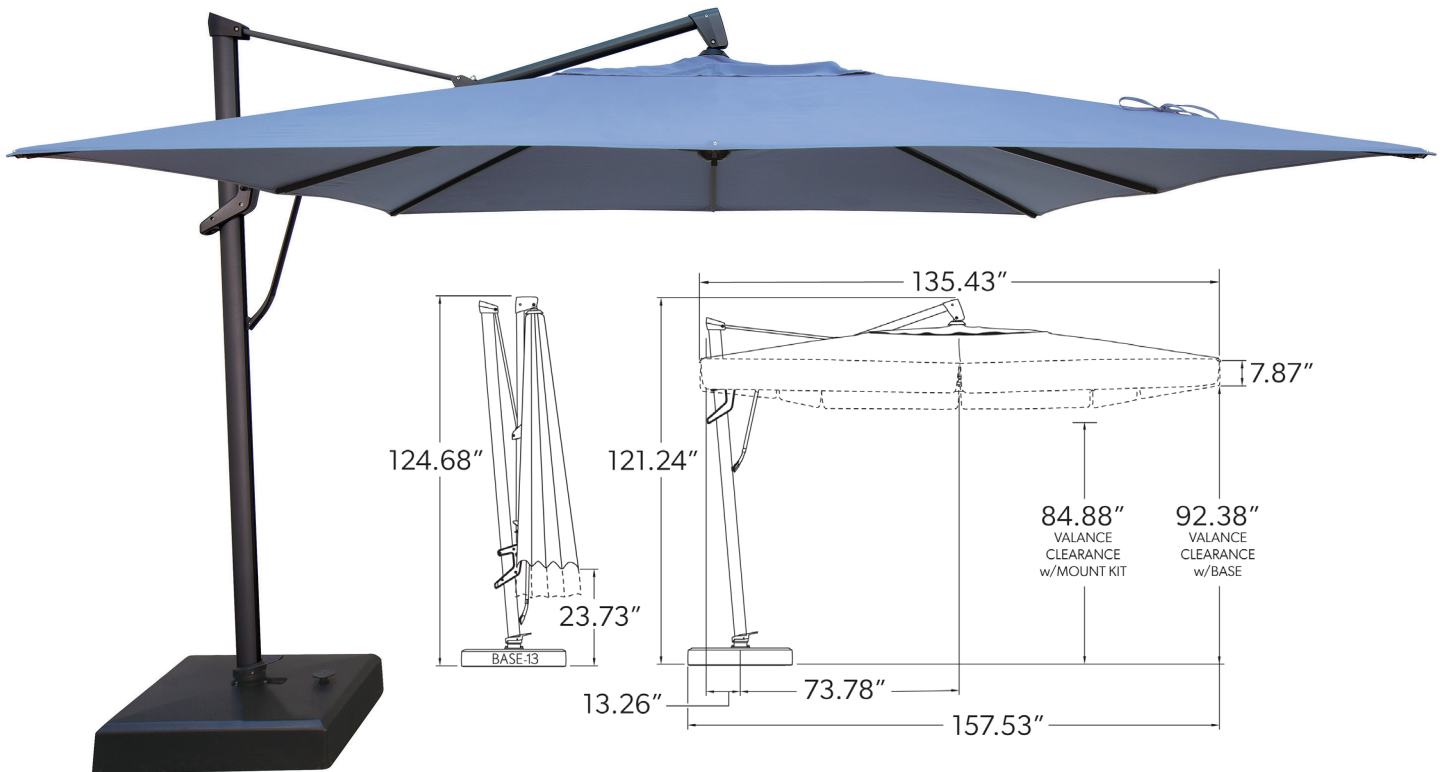




# 11.5' Square AKZ Plus Cantilever Umbrella

Beautiful cantilever umbrellas in a variety of shapes and sizes allow you the flexibility to choose an umbrella design that fits your needs. With an array of fabrics to choose from, your patio umbrella can be as eye-catching as it is functional.



**GROUND MOUNT**



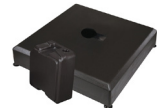
**WOOD MOUNT**



**CONCRETE MOUNT**



**ROLLING BASE**  
W 34" / D 34" / H 7.5"  
≈ 400LB WITH SAND



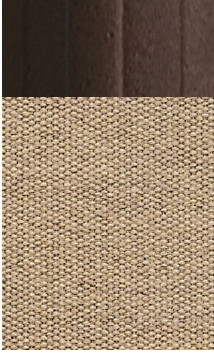
**STANDARD BASE**  
W 34" / D 34" / H 7.5"  
≈ 425LB WITH SAND

Scan me!  
SUMMERHOUSEPATIO.COM

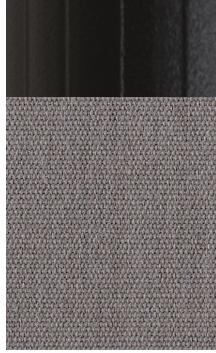


**SUMMER**  
**HOUSE**

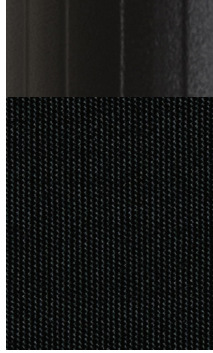
# 11.5' Square AKZ Plus Cantilever Umbrella



**BRONZE FRAME**  
SAND



**BLACK FRAME**  
BOULDER



**BLACK FRAME**  
BLACK

## ACRYLIC FABRICS

MANUFACTURED BY SUNBRELLA & OTHERS WITH A 5 YEAR WARRANTY AGAINST FADING. **SPECIAL ORDER ONLY.**

## POLYESTER FABRICS

MANUFACTURED BY O'BRAVIA WITH A 4 YEAR WARRANTY AGAINST FADING.

- INFINITE FRONT TO BACK TILT
- LEFT TO RIGHT TILT AT 18°, 36°, AND 54°
- FOOT PEDAL 360° ROTATION CAPABILITY
- HARDWARE FOR INSTALLED MOUNTS AVAILABLE BY SPECIAL ORDER
- THIS MODEL IS **NOT RECOMMENDED** FOR ROOFTOP DECKS OR HIGH WIND



Helping you create the perfect outdoor oasis is our number one priority. Transform your space today!



**SUMMER**  
**HOUSE**

OFFERING ONLY THE FINEST OUTDOOR FURNITURE AND ACCESSORIES IN THE PACIFIC NORTHWEST - GUARANTEED

LAST UPDATED 2.15.24