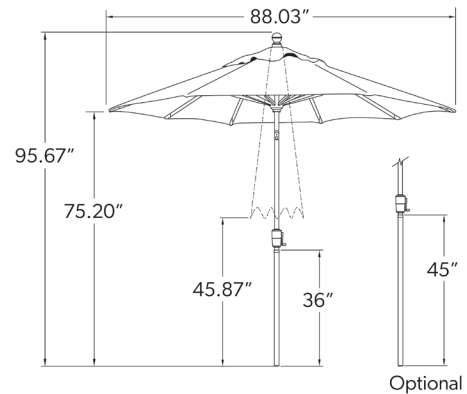




7.5' Octagon Push Button Tilt Market Umbrella

Beautiful market umbrellas in a variety of shapes and sizes allow you the flexibility to choose an umbrella design that fits your needs. With an array of fabrics to choose from, your patio umbrella can be as eye-catching as it is functional.



CLASSIC
50 LB



GARDEN
50 LB



ADD ON WEIGHT
30 LB



FLAT STEEL
35 LB / 70 LB



ROLLING STEEL
120 LB

Scan me!
SUMMERHOUSEPATIO.COM



SUMMER
HOUSE

7.5' Octagon Push Button Tilt Market Umbrella



BRONZE FRAME
VANILLA



BRONZE FRAME
CHAMPAGNE



BRONZE FRAME
SESAME



BRONZE FRAME
ASTORIA SUNSET

ACRYLIC FABRICS
MANUFACTURED BY SUNBRELLA
& OTHERS WITH A 5 YEAR
WARRANTY AGAINST FADING.

POLYESTER FABRICS
MANUFACTURED BY O'BRAVIA
WITH A 4 YEAR WARRANTY
AGAINST FADING.



BLACK FRAME
CAST SILVER



BLACK FRAME
CANVAS COAL



BLACK FRAME
RED



BLACK FRAME
KIWI



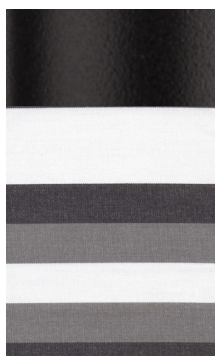
BLACK FRAME
LEMON



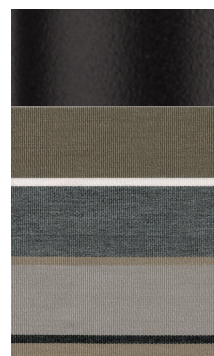
BLACK FRAME
AQUA



BLACK FRAME
NAVY



BLACK FRAME
RICHMOND STONE



BLACK FRAME
MILANO CHARCOAL