



SMART WI-FI INFRARED HEATER BAR

Models:

KA - TBE - 12WS

KA - TBE - 18WS

KA - TBE - 24WS

KA - TBE - 30WS

www.kiasa.co.uk

0116 488 5150

customer.support@kiasa.co.uk



CE Rohs SAA



Contents

Page:

Safety Instructions	3 - 4
Warning	5
Product Specifications	6
Size of Heaters	7
Operation Guide	8
Remote Instructions	9
Installation Guide	10, 11
WIFI Operation	12, 13
Warranty	14
Returns Policy	15



Safety Instructions

Please read all the instructions in this manual carefully, even if you have prior experience of using an infrared heater. This manual should be kept in a safe place for future reference. Should you need to make any kind of warranty claim with the manufacturer, you will need to make note of the complete model number (located on the product card at the back of the heater), the date on which you received the product, and your receipt of purchase. The various ratings listed on the product card are based on specific loading tests performed in a controlled environment. Normal usage of use with other electrical equipment may result in different ratings. **Upon switching the heater on for the first time, you may notice a distinct smell and light smog.**

Please be aware that this is completely normal-this is simply the protective oils used on the element to protect it during production and transport burning off. Once the heater has been on in an open environment, any smell or smog will disappear over a short period of time.

Please abide by the following safety precautions when using the heater, in order to minimise the risk of fire, electrical shock, injury or property damage:

1. Please read all the instructions in this manual carefully, and kept it in a safe place for future reference.
2. Use only the voltage specified on the product card located at the back of the heater.
3. Do not obstruct the front of the heater, or block the entry or exit of any airflow. There should be a clearance of at least 30cm around the front and sides of the heater.
4. Do not use the product in close proximity to any other radiant heater source.
5. Do not use the product in close proximity to gasoline, paint or any other highly flammable liquids.
6. Take extra care to ensure that the heater has been off for at least 1 hour before touching it with bare skin or moving it to another location.
7. Keep the heater away from all kinds of liquid, ensuring that it does not become immersed in any liquid, as this could create an electrical shock.
8. Do not use the heater if the plug, power cord, or connectors become damaged in any way. In the event of such an occurrence, please return the heater to a qualified electrician for examination, adjustment, service or repair.
9. Do not touch the appliance with wet hands.
10. The most common cause of overheating is dust or fluff deposits getting stuck in the heater. You can prolong the life and ensure the safety of your heater by disconnecting it regularly and vacuum cleaning the air vents and grilles.
11. Ensure that the product is installed away from windows as any rain may cause an electrical shock.
12. When cleaning the heater, only use a soft, damp cloth, and always ensure that the heater has been disconnected from the mains before cleaning. Do not use an abrasive cleaning cloth.
13. Do not connect to the main supply until the heater has been completely installed.

Safety Instructions

14. Do not use the heater in the immediate vicinity of any baths, showers, swimming pools, or any other areas where there is an exceptionally concentration of water.
15. Please let the surface of the heater cool down before moving it.
16. Do not tamper with the power cord while the heater is on.
17. Using an extension cord with this product is not recommended.
18. Please ensure that the power cord is disconnected when the heater is not on.
19. This heater isn't suitable for use near long pile carpets or flokati rugs.
20. Do not allow the power cord to come into contact with the heater when it is on.
21. Do not leave the power cord loose around walkways or corridors, as this could be a tripping hazard.
22. Do not twist, kink or wrap the cord around the heater, as this may cause the insulation to weaken and split.
23. Do not store the heater away while it is still hot.
24. The heater is not to be used by young children, the elderly or the disabled without supervision.
25. Do not install the heater on and off automatically(including the built-in thermostat on the remote controllable version)
26. The cover and casing are designed to protect the heating elements inside the heater, and should not be tampered with or opened under any circumstances.
27. Please adhere to the safety precautions detailed in this manual, in order to prevent any fire, electrical hazards or injuries.
28. The heater may be operated by children over the age of 8, those who suffer from reduced physical, sensory or mental capabilities, provided they are supervised or complete understanding of the operation and general hazards involved with using the heater. Children should not play with the heater, and should not carry out any cleaning or maintenance of the heater.
29. Children younger than 8 should not use the heater in any capacity, whether they are supervised or unsupervised.
30. The outer surface of the heater can get very hot and cause burns if contact is made with the skin for prolonged periods of time. Please pay attention when children or vulnerable people are present.
31. The heater should be installed at a minimum of 1.8 meters from the floor.
32. Should the power cord become damaged, it must be returned to the manufacturer, or be repaired by a qualified electrician.
33. The heater should not be used in confined spaces with occupants who are unable to leave the room on their own.
34. Children of less than 3 years should be kept away unless continuously supervised.

CE **Rohs** **SAA**



Warning

1. Please ensure that the heater is installed correctly, as per this instruction manual, and that it is facing the correct way.
2. The heater should be installed in a place where the controls cannot be used by someone who is using a bath or a shower.
3. The heater should not be installed directly above an electrical socket.
4. Please consult the manufacturer or a qualified electrician if there is any damage to the power cord on your heater.
5. Before moving your heater, make sure it has sufficiently cooled down.
6. Do not leave young or vulnerable people like the elderly or the disabled unsupervised in a room when the heaters are in use.
7. Please ensure that the heater is not installed in close proximity to furniture, curtains or any other objects in the home that could be flammable.

When disposing of your heater, please use your local rubbish collection facilities rather than using your general waste services. Contact your local council for information regarding these collection services. Should the heater be disposed of in a landfill or dump, there is a risk of hazardous substances leaking into the groundwater, which then has a knock-on effect on the local food chain, potentially damaging your health and well being.



PLEASE NOTE

Read and follow all the instructions in this Users Manual for Far Infrared Heating Bars, even if you feel you are familiar with the product.

Find a safe place to keep it safe and handy for future reference. Make sure you retain your purchase receipt and your warranty service information. When the heater is first used you may detect smell or smog, this is perfectly normal. When new, the protective oils used during production will burn off on the first use. Allow the appliance to heat up in an open environment and the smell will disappear over a short period of time.

Standard manufacturing warranty is 12 months. Extended for a further 2 years for **FREE** when you register within 30 days of purchase at www.kiasa.co.uk.



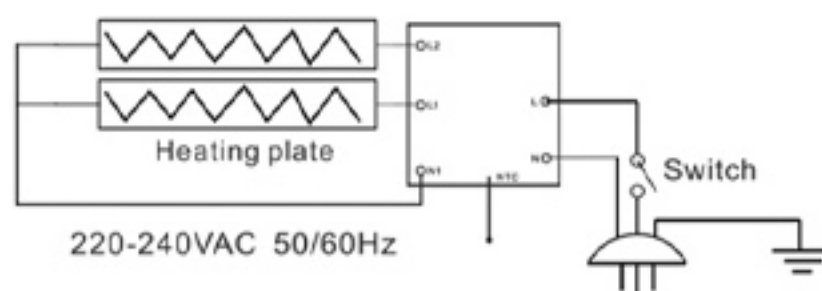
Product Specifications

Power:	1200W - 3000W
Voltage:	220V - 240V
Heating element:	Aluminium
Installation:	Wall, Ceiling and Suspended
Maximum temperature:	Upto 45°C
Cable:	2M
Energy transfer ratio:	98%
IP Rating:	IP44
Overheat Protection:	Yes
Finish:	Black

Product Diagram



Circuit Diagram



Size Guide



1200w: 94 x 7 x 15cm / Weight: 5.2Kg



1800w: 124 x 7 x 15cm / Weight: 6.2Kg



2400w: 154 x 7 x 15cm / Weight: 7.1Kg



3000w: 194 x 7 x 15cm / Weight: 8.1Kg

1200w/1800w/2400w

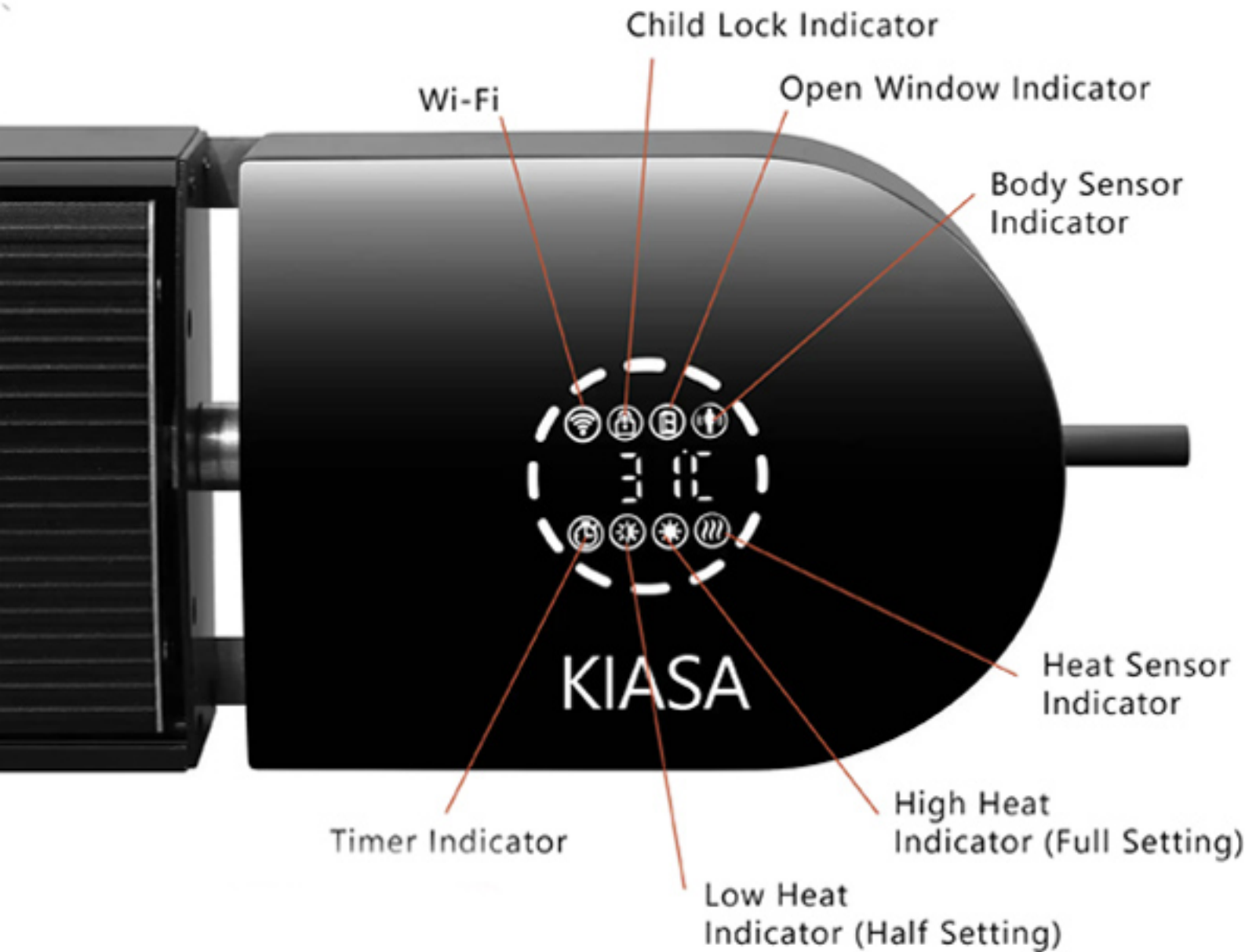
The heater is supplied with a 3-pin UK plug, however, it can be hard-wired into a spur by a suitable qualified electrician.

3000w

Due to the increase in wattage requirements, this heater is NOT supplied with a 3-pin UK plug and will need to be wired in by a qualified electrician.

Operation Guide

Multiple Functions



Half Power



Full Power



Remote Instructions

Remote Control - Switching the Heater On



Button

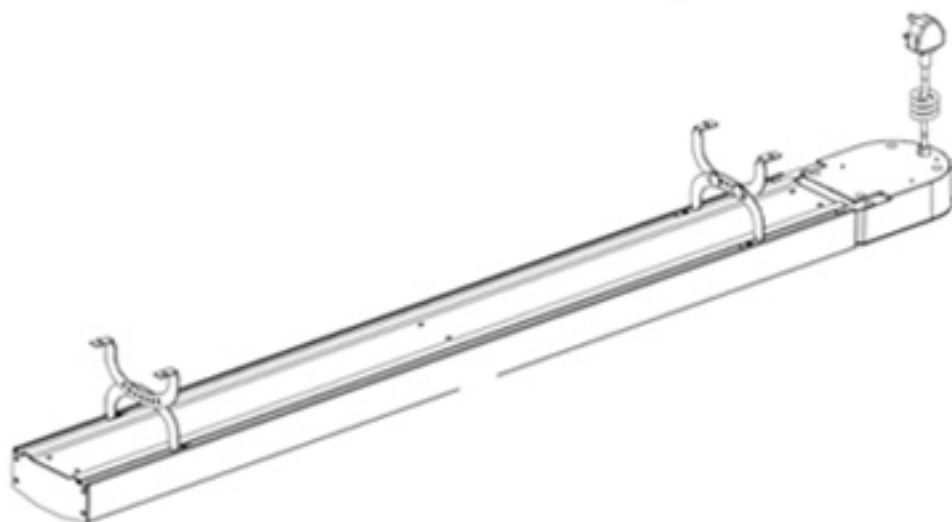
1	Power On/Off Buttons
2	Temperature Button
3	Timer Button
4	Child Lock Button
5	High/Low Switch Buttons
6	Up Button
7	Down Button
8	Set Button

1. Please ensure that the power switch located on the side of the heater is in the Off position before connecting to your electrical supply.
2. To switch the heater on, put the power switch on the side of the heater into the On position. You will see the display light up on the front of the heater.
3. To lock the heater, press the "Set" button, following by the "Child lock" button. You will see a square lock icon on the screen, and none of the buttons will be operational while it is locked. To unlock the heater, you can simply repeat the process, pressing "Set" followed by "Child lock".
4. To toggle the screen on and off, press the "Set" button twice. The screen will power off, however the screen back on, simply press the "Set" button twice again.
5. To use the automatic temperature control feature, press the "Temp." button. You will see a temperature flashing on screen that you can adjust up and down using the "Up"/"Down" button. The maximum temperature you can set is 45°C, and the lowest temperature you can set is 5°C. If your desired temperature is lower than the current room temperature, the heater will not emit any heat, and if the desired temperature is higher than the current room temperature, the heater will begin emitting heat, and you will see the lights appear on the screen below the temperature display.

Re-setting the Wi-Fi -

Pressing the Set button following by the Down button resets the Wi-Fi setting for the Bar Heater. Once reset, the Wi-Fi symbol will begin to flash on the display.

Installation Guide



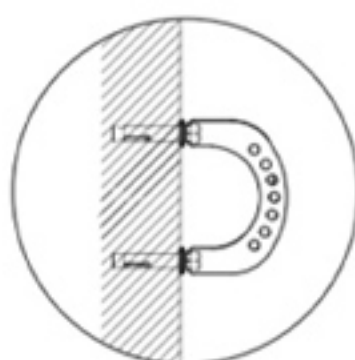
Step one: Use the screws provided to install two of the brackets to the back of the heater, as shown in Fig. A.

Step two: Use the screws provided to install two of the brackets to the wall or ceiling, as shown in Fig. B.

Step three: Connect the brackets on the back of the heater to the brackets on the wall at your desired angle using the wing nuts provided to fix them, as shown in Fig. C.



A

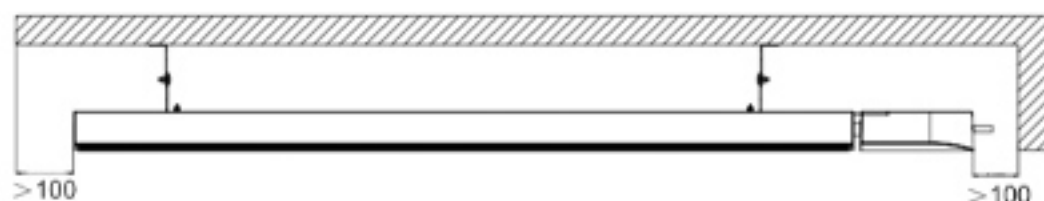
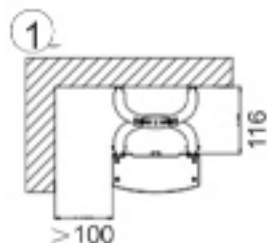


B

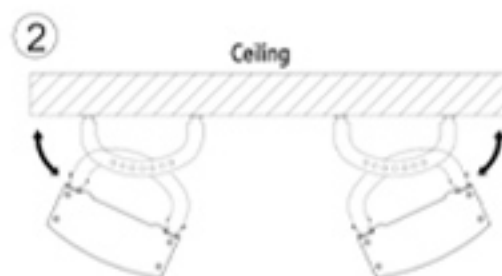


C

For ceiling installation: the distance between the side of the heater and the wall should be at least 100mm, as shown in Fig. 1.

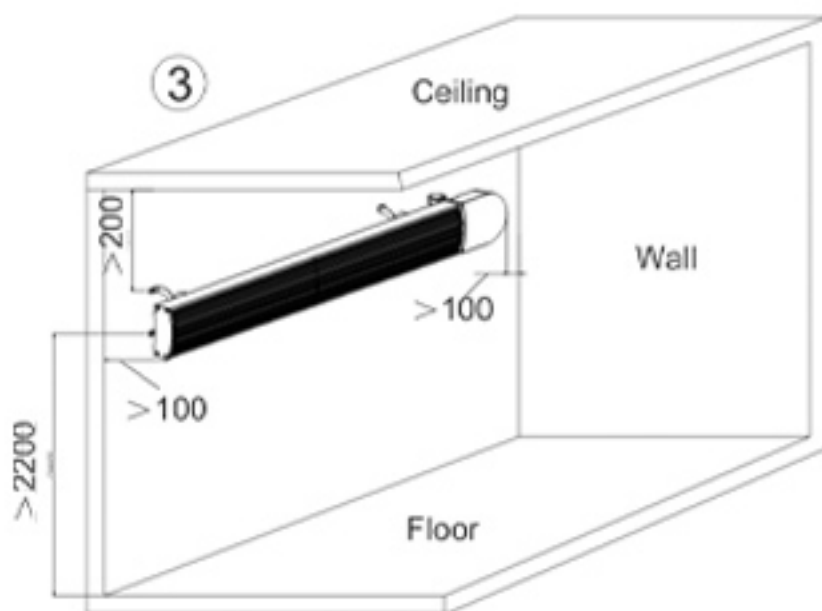


For a double installation, both heaters are mounted through a connecting frame, which is installed on the ceiling, as shown in Fig.2.

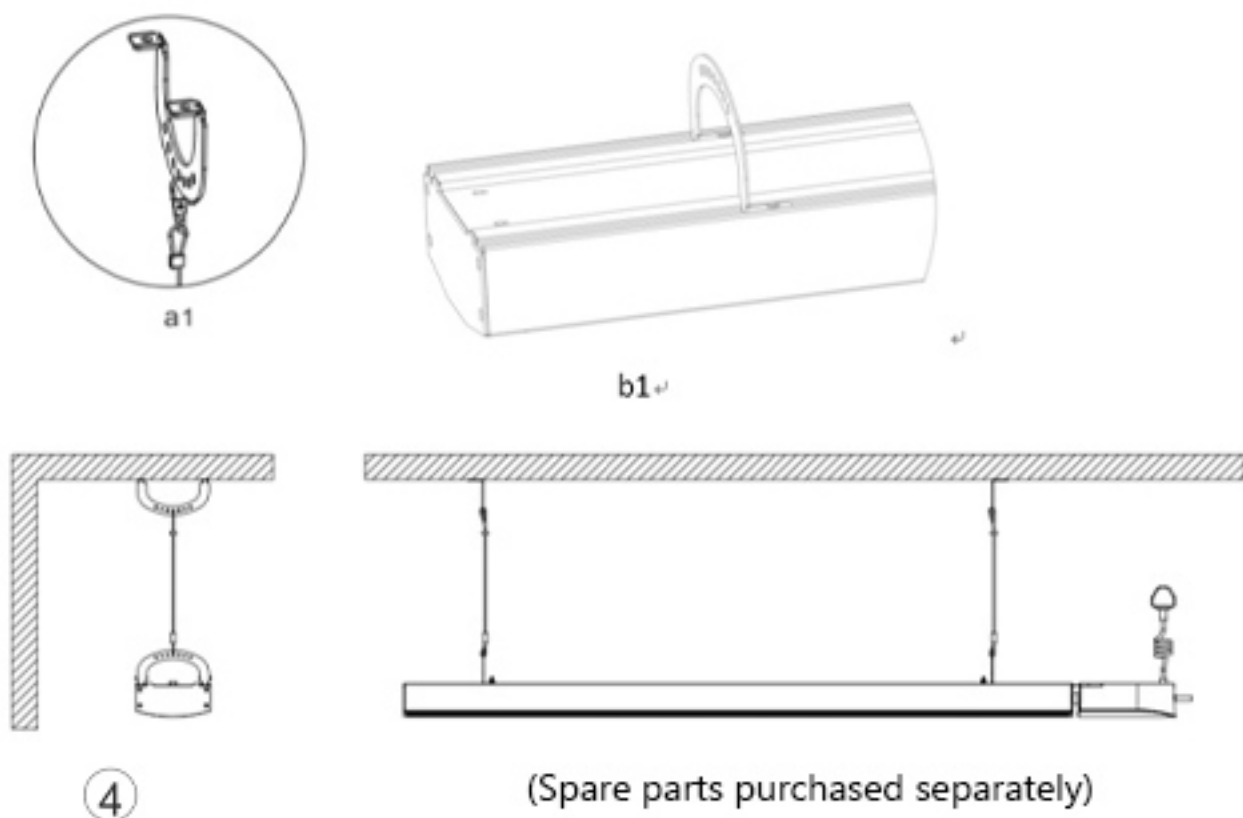


Installation Guide

For wall installation, the height from the floor should be at least 2.2 meters, as shown in Fig.3.



For suspended installation, the heater will hook up to the suspension cables and hang from the ceiling, as shown in Fig.4.



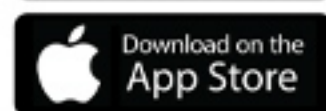
WIFI Operation

The Heater Bar is designed to work the TUYA app as well as the SMART LIFE App. Once this app is installed, follow the instructions to create an account.

The TUYA and SMART LIFE app are constantly upgrading and is an evolving third party system. These instructions were correct at the time of printing, however, they may differ slightly in updated versions. If you do require further support, please get in touch as we would be happy to help.

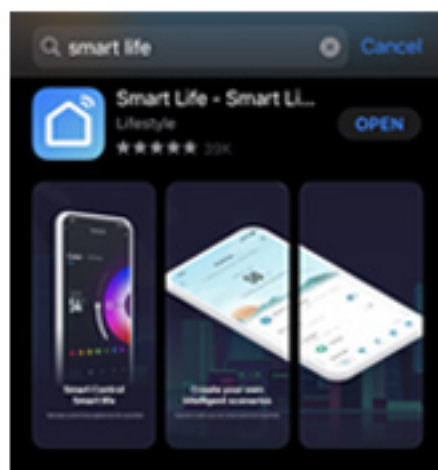
Before pairing your device

Please ensure that your mobile device is in fact connected to your WIFI connection and your bluetooth in on. This must be a 2.4GHz network. If you have a dual router that is 5.0GHz and 2.4GHz you will need to change this to 2.4GHz. Please contact your internet provider for further information.

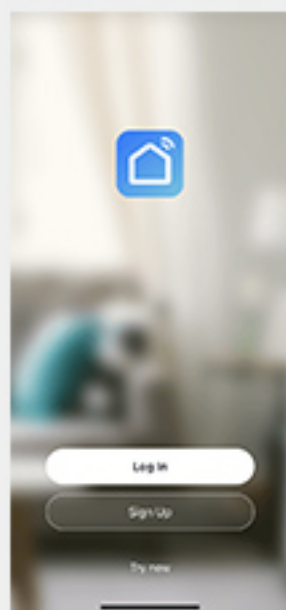


WiFi Operation

Please scan the QR code below to download the app. Alternatively, you can download the App by going to your App store and typing in 'Smart Life' in your search bar (please right image below).



Sign up and then register your information



1. Download the Smart Life App.
2. Enter all your information
3. Click the + icon in the upper right-hand corner or press Add Device.
4. Go to Small Home Appliances and select Heater.
5. Enter the password to the chosen Wi-Fi network.
6. Click the link indicator on the infrared device's digital screen. If the indicator is not blinking, reset the Wi-Fi.
7. Set the device information and press 'Done', you will now be able to control the heater.

Warranty

When purchase has been made directly through www.kiasa.co.uk, your heater is automatically covered for years and no further action needs to be taken.

If your panel has been purchased through a 3rd party platform, such as Amazon or other partner resellers, an automatic 1 year warranty will be included as part of the purchase. This can be extended for free by registering online on our website. Please use the QR code provided below.

Within the warranty period, KIASA will either repair or replace the heater if any fault arises due to defects of materials or workmanship, i.e. mechanical faults. If a fault does arise, please get in touch with us by email (provided below) and a team member will get back in touch. In order to speed up the process of the claim, please include your proof of purchase (this can be an order number) and any images or videos where possible.

The warranty will cover the cost of any repair or replacement of any faulty or defective product only, and KIASA will not have any liability for installation costs. The final decision to repair or replace will rest solely on KIASA. Removing the serial number will void the warranty as will any tampering or opening of the panel in any way. KIASA will not be responsible for any scratches on the surface after first use.

KIASA cannot and will not accept responsibility for damage, loss or injury caused by accidental damage, mishandling, impacts made externally by water or moisture or any adjustments made by anyone else (unauthorised personnel) or failure to show or follow the correct maintenance stated in this manual.

Kiasa Heating UK
Forum Building
31a Bath Lane
Leicester
LE3 5BF

customer.support@kiasa.co.uk



Returns Policy

Defective or Damaged Item

If the item arrives damaged, please report this to us as soon as possible. The damage must be brought to our attention within the 2 days of purchase. Please take photos of the damaged area and email us at customer.support@kiasa.co.uk, along with your name and address for further instructions and the next step.

If a fault occurs after 30 days of the date of the original purchase, the unit will automatically fall under the warranty process. Please get in touch with your order number and images of the fault (where possible) to take the next steps.

Changed Your Mind?

If the unit is no longer needed, you have 30 days from the date of purchase to send the unit back to us. The item is required to be in its original packaging and in unused, like-new condition. Please return the unit to:

Kiasa Heating UK
Forum Building
31a Bath Lane
Leicester
LE3 5BF

Please note, if the item is not returned in its original form, there could be a diminished charge of up to 40%. This includes heaters that have been installed or altered in any way. The buyer is responsible for the return and needs to cover the shipping expenses. Please retain proof of purchase and proof of delivery too.

Get in touch:

If you have any questions or concerns about the return process, contact the seller's customer support for clarification and assistance.





0116 488 5150
www.kiasa.co.uk

