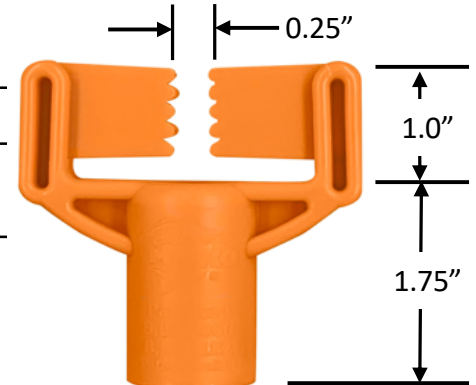


# Product Data



## JAWS<sup>®</sup> RailFin Screed Chair

<b>PRODUCT NUMBERS</b>	08244JAW25
<b>SIZE</b>	2.75" overall height
<b>APPLICATION</b>	Designed to support: 0.25" x 2" flat rolled metal rail
<b>FEATURES</b>	<ul style="list-style-type: none"> <li>• The JAWS<sup>®</sup> "teeth" hold the screed rails securely yet release easily when moving down the pour line</li> <li>• Fits any mounting structure 0.375" to 0.625", 0.5" is ideal</li> <li>• "Fins" inside the chair hug the mounting structure so it won't bounce off during placement</li> <li>• Minimum slab thickness dependent on height of rail</li> <li>• JAWS screed chairs are designed as stay-in-place forms</li> <li>• Use with hand or mechanical screeds</li> <li>• Use MAKO Driver to set JAWS to achieve consistent, accurate placement every time</li> <li>• Made of impact resistant, medical grade polypropylene</li> <li>• Will not corrode even in extreme environments</li> <li>• When used with the MAKO FinStand and Base Plate the JAWS RailFin is fully adjustable</li> <li>• Iowa DOT approved, other states pending</li> <li>• 100% No Breakage Money Back Guarantee</li> <li>• Ideal for use on super flat floors to stay compliant with ACI 302.1R-04, ACI 117 and ASTM E 1155</li> </ul>
<b>SPACING</b>	Recommend placing a screed chair every 3-4' depending on length of screed rail and sub-grade conditions
<b>LOAD</b>	Holds up to 1,000 lbs
<b>COVERAGE</b>	100 JAWS per 3,000 sf Packaged 100 JAWS RailFins
<b>MANUFACTURER</b>	Made in USA MAKO Enterprises LLC, Des Moines, IA 50131



Use with the FinStand and Base Plate for a fully adjustable support on vapor barrier, sand, precast, metal decks and more



We recommend using a T-rail with the JAWS RailFin screed chair. The T-rail acts as a backbone for the screed and increases stability. The 1/4" thick T-rail is 1-1/2" to 2" tall with a 1" to 1-1/2" wide T welded on the top.



Patented: 8,096,182, 8,544,182 and Patent Pending