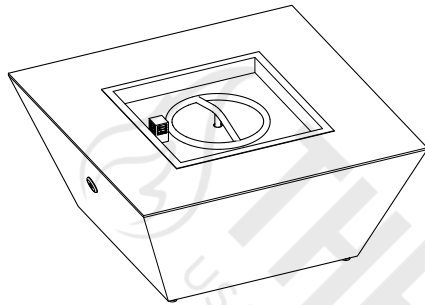
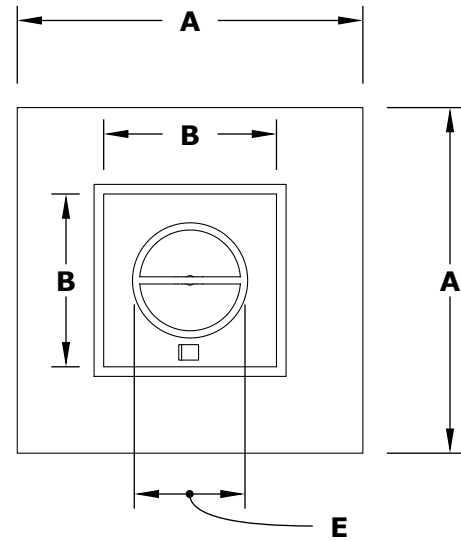


PLYMOUTH SQUARE FIRE PIT

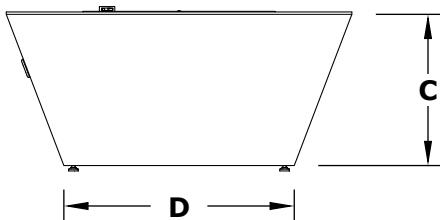
WOODGRAIN CONCRETE



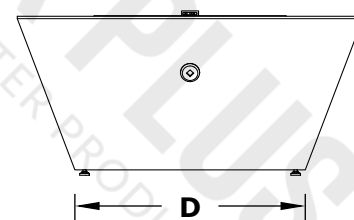
ISOMETRIC VIEW



TOP VIEW



RIGHT SIDE VIEW



FRONT SIDE VIEW

| PART NUMBER | A | B | C | D | E | BTU |
|--------------|-----|-----|-----|-----|-----|---------|
| OPT-PLMS36LW | 36" | 18" | 24" | 24" | 12" | 65,000 |
| OPT-PLM36 | 36" | 18" | 24" | 24" | 12" | 65,000 |
| OPT-PLMS48LW | 48" | 24" | 24" | 33" | 18" | 160,000 |
| OPT-PLMS48 | 48" | 24" | 24" | 33" | 18" | 160,000 |

Fire Pit Material: Wood Grain Concrete
 Pan Material: 304 Stainless Steel
 Burner Material: 304 Stainless Steel
 Standard 1" Flange on all pans
 Standard 2" Depth on all pans

110V ELECTRONIC IGNITION
 ANSI Z21.97-(2017) / CSA 2.41-(2017)



Match Lit Unit Includes: Pan, Burner, Gas Orifice, Gas Hoses, Key Valve, Key,
 110v Ignition Unit Includes: Pan, Burner, Gas Orifice, Gas Hoses, Key Valve, Key, Plug & Play Electronic Valve, Pilot Igniter.

| | |
|--------------|----------------|
| Drawn By | Murguia M. |
| Date Created | April 28, 2022 |

Proprietary & Confidential: The information contained in this drawing is the sole property of The Outdoor Plus. Any reproduction or as a whole without written permission of The Outdoor Plus is prohibited.