



US00D771537S

(12) **United States Design Patent**
Hare

(10) **Patent No.:** **US D771,537 S**

(45) **Date of Patent:** **** *Nov. 15, 2016**

(54) **VEHICLE FRONT BUMPER WITH UTILITY WELL**

D455,684 S * 4/2002 McGuiness D12/171
D455,988 S * 4/2002 McGuiness D12/171
D737,181 S * 8/2015 Smith D12/169
D737,739 S * 9/2015 Hanson D12/169

(71) Applicant: **Addictive Desert Designs, LLC**, Mesa, AZ (US)

* cited by examiner

(72) Inventor: **Jared A. Hare**, Mesa, AZ (US)

Primary Examiner — Melody N Brown

(73) Assignee: **Addictive Desert Designs LLC**, Mesa, AZ (US)

(74) *Attorney, Agent, or Firm* — Venjuris P.C.

(*) Notice: This patent is subject to a terminal disclaimer.

(57) **CLAIM**

(**) Term: **14 Years**

The ornamental design for a vehicle front bumper with utility well, as shown and described.

(21) Appl. No.: **29/511,253**

(22) Filed: **Dec. 9, 2014**

(51) **LOC (10) Cl.** **12-16**

(52) **U.S. Cl.**
USPC **D12/171; D12/169**

(58) **Field of Classification Search**
USPC D12/169, 216, 90-92, 86, 171, 196, D12/163, 170, 72; 293/102, 113, 115, 117, 293/120, 121, 144; 296/180.1, 180.2
CPC B60R 19/02; B60R 19/04; B60R 19/52; B60R 2019/522; B62D 25/08
See application file for complete search history.

DESCRIPTION

FIG. 1 is a perspective view of a vehicle front bumper with utility well embodying the new design;
FIG. 2 is a front view;
FIG. 3 is right side view;
FIG. 4 is a top view;
FIG. 5 is a bottom view; and,
FIG. 6 is a right perspective view showing an alternate configuration.

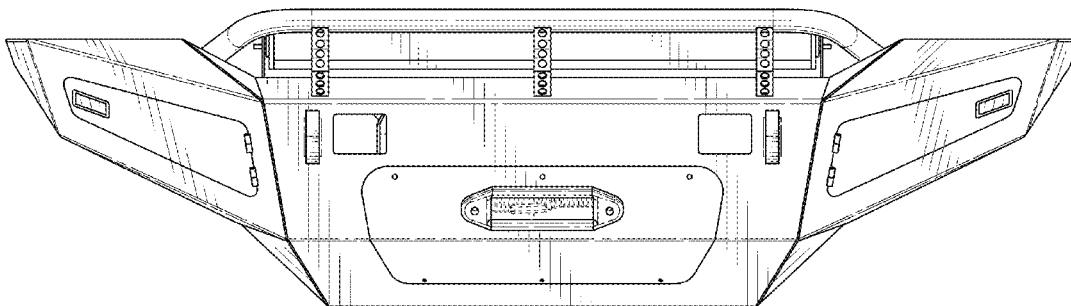
The left side view is a mirror image of the right side. The structure illustrated in broken lines is not part of the design.

(56) **References Cited**

U.S. PATENT DOCUMENTS

D454,098 S * 3/2002 McGuiness D12/171
D454,099 S * 3/2002 McGuiness D12/171
D454,525 S * 3/2002 McGuiness D12/171
D454,817 S * 3/2002 McGuiness D12/171

1 Claim, 6 Drawing Sheets



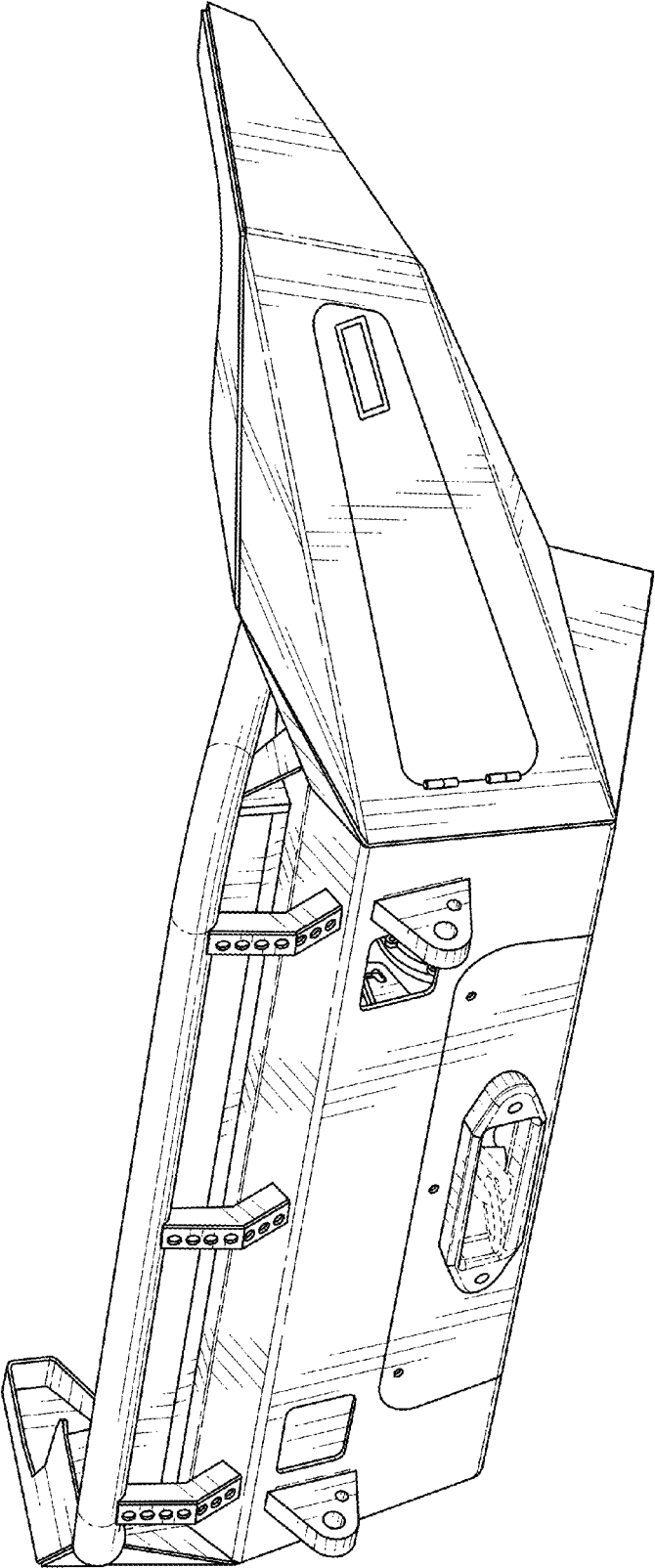


FIG. 1

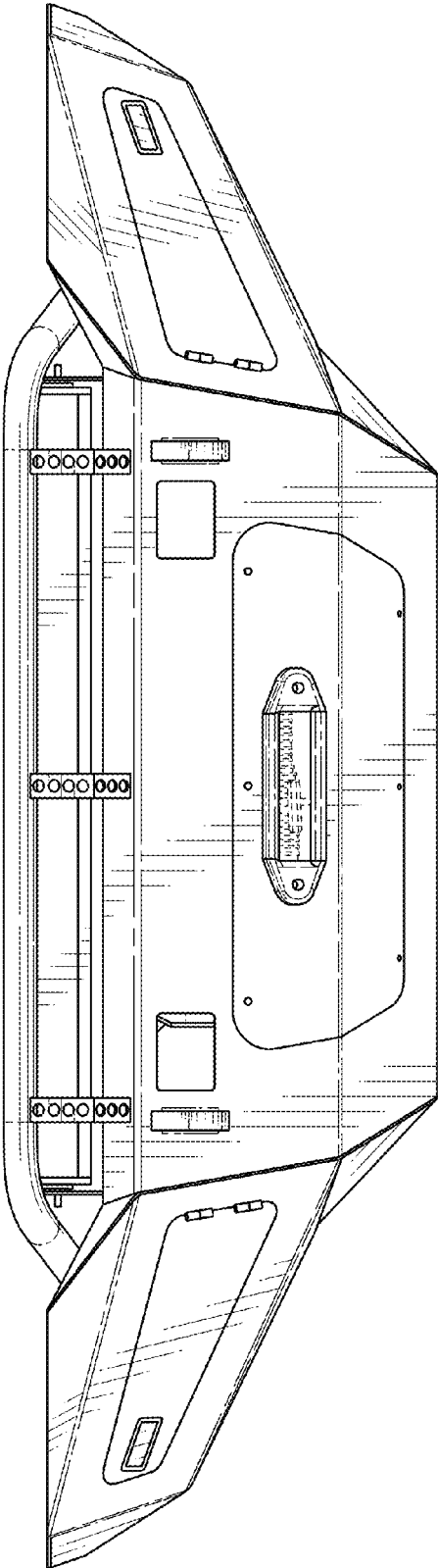


FIG. 2

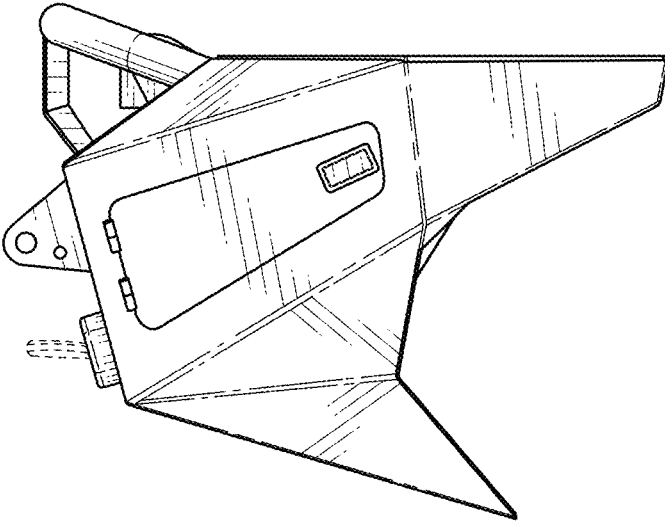


FIG. 3

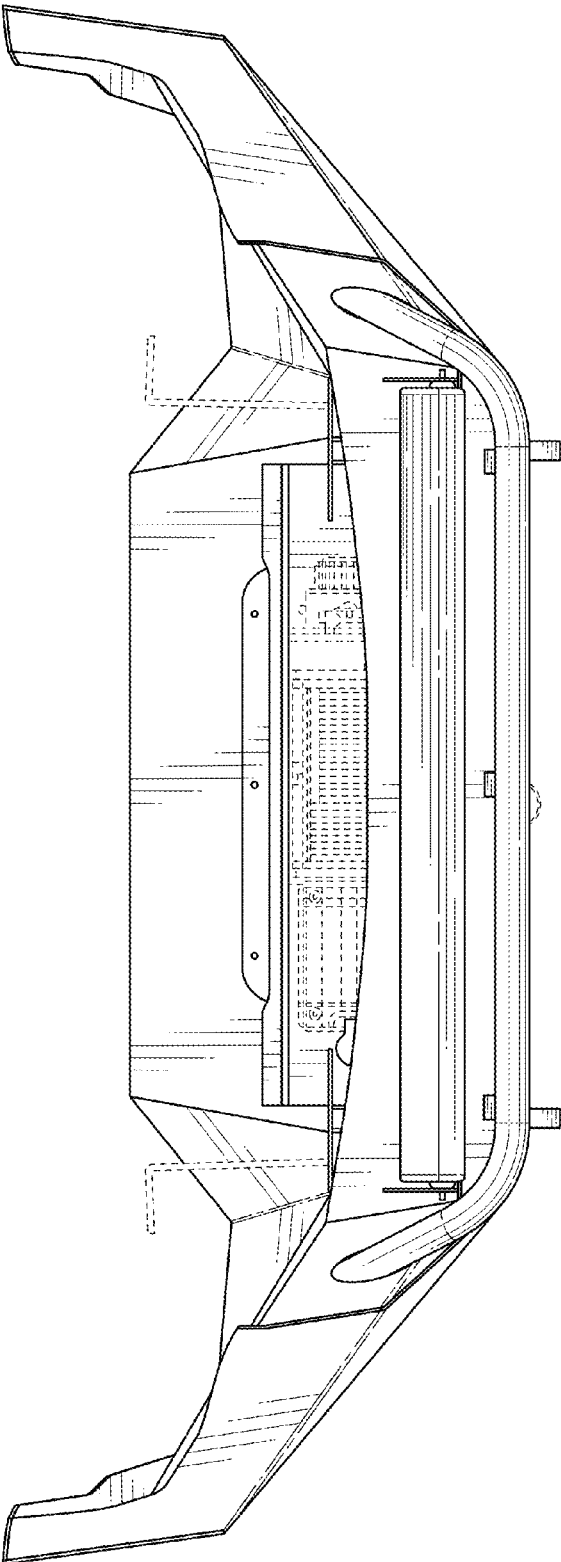


FIG. 4

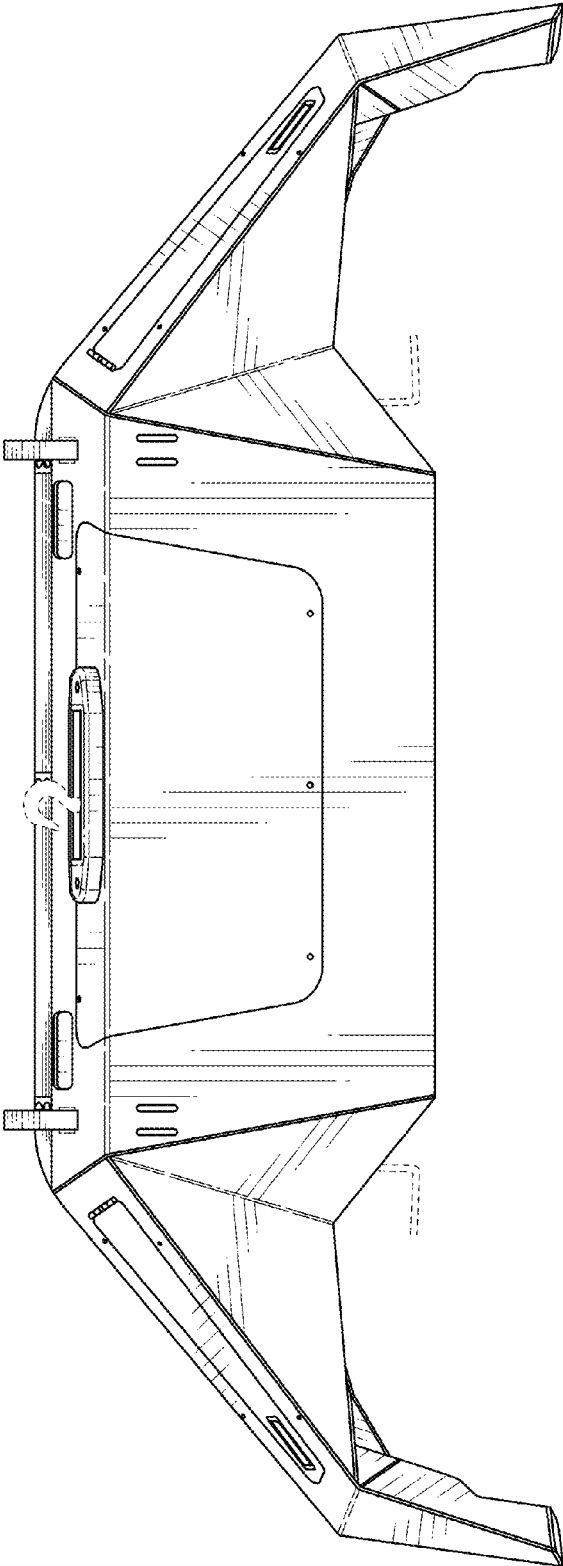


FIG. 5

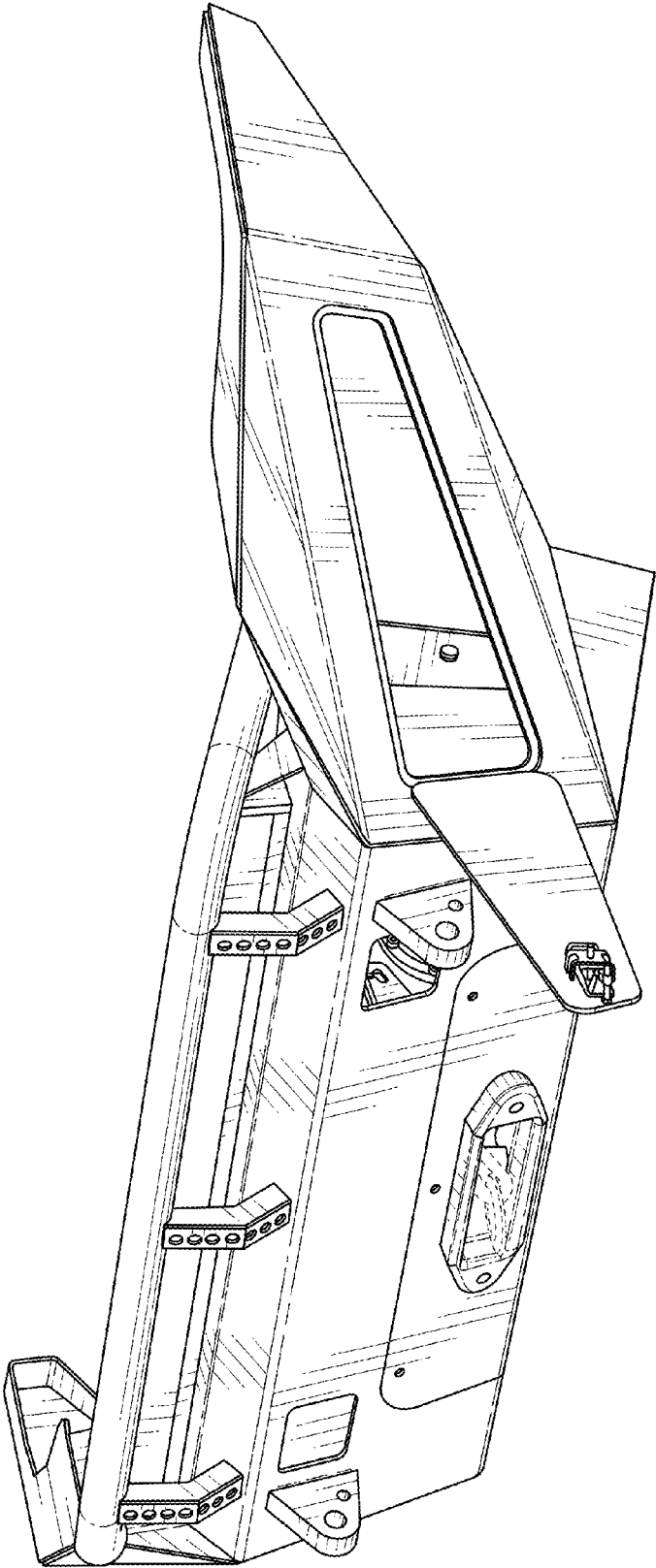


FIG. 6