

# demi™ grow



nuna®

*Designed*  
**around your life**

**nuna®**

**IMPORTANT!**  
**KEEP THESE**  
**INSTRUCTIONS FOR**  
**FUTURE REFERENCE:**  
*READ CAREFULLY*

## Contents

<b>Product Information</b>	
Product Registration	4
Warranty	4
Contact	4
<b>Child Usage Requirements</b>	5
<b>Warnings</b>	6
<b>Parts List</b>	10
<b>Product Set Up</b>	12
<b>Product Use</b>	18
<b>Seating Options</b>	28
<b>Accessories</b>	32
DEMI grow stroller/sibling seat	32
DEMI grow stroller/sibling seat rain cover	32
DEMI grow bassinet	34
DEMI grow car seat post adapters	36
DEMI grow car seat ring adapter	38
<b>Cleaning and Maintenance</b>	40

## Product Information

Model Number: \_\_\_\_\_

Manufactured in (date): \_\_\_\_\_

### Product Registration

Please fill in the above information. The model number and the manufactured in date are located on a label on the stroller frame. Fill out the prepaid registration postcard attached to the product and mail it today.

To register your product please visit:

[www.nunababy.com](http://www.nunababy.com)

Click on the “Register Gear” link on the homepage.

### Warranty

We have purposely designed our high-quality products so that they can grow with both your child and your family. Because we stand by our product, our gear is covered by a custom warranty per product, starting from the day it was purchased. Please have the proof of purchase, model number and manufactured in date available when you contact us.

For warranty information please visit:

[www.nunababy.com/warranty](http://www.nunababy.com/warranty)

### Contact

For replacement parts, service, or additional warranty questions, please contact our customer service department.

In the USA:

[infousa@nunababy.com](mailto:infousa@nunababy.com)

[www.nunababy.com](http://www.nunababy.com)

1.855.NUNA.USA

## Child Usage Requirements

This stroller/sibling seat is suitable for use with children who meet the following requirements:

**Weight:** up to 50 lb (22.7 kg) maximum

**Height:** up to 45 in. (114.3 cm)

When using the stroller frame with the bassinet or infant carrier, refer to the child usage requirements listed in those instruction manuals.

## **WARNING**

Failure to follow these warnings and instructions could result in serious injury or death.

A child's safety is your responsibility. **NEVER** leave your child unattended.

To avoid any danger of suffocation, remove all plastic covers before using this product and destroy or keep away from babies and children!

Keep small parts away from children as they pose a choking hazard.

Discontinue using these products should they become damaged or broken.

Use original Nuna parts and accessories only.

Each stroller/sibling seat is intended for children up to 50 lb (22.7 kg) maximum or a height of 45 in. (114.3 cm).

To prevent a hazardous, unstable condition, do not place more than 10 lb (4.5 kg) in the storage basket before use.

Use of the stroller with more than 110 lb (49.9 kg) will cause excessive wear and stress on the stroller. 110 lb (49.9 kg) =  
50 lb (22.7 kg) stroller/sibling seat maximum +  
50 lb (22.7 kg) stroller/sibling seat maximum +  
10 lb (4.5 kg) storage basket maximum

Negotiate curbs and rough ground carefully. Repeated impact could cause damage to this product.

This stroller is to be used only at walking speed. Stroller is not intended for use while jogging, skating, etc.

The parking brake **MUST** be engaged when the stroller is stopped and when placing and removing child.

Overloading, incorrect folding, and using accessories other than those approved by Nuna, e.g. child seats, bag hooks, rain covers, buggy boards, etc., may damage or make this stroller unsafe.

Adding accessories such as purses, shopping bags, or parcels to the handle or canopy can cause the stroller to be unstable.

This stroller does not replace a crib or a bed. Should your child need to sleep, they should be placed in a crib or approved sleeping area based on your child's requirements.

Avoid serious injury from falling or sliding out. Always use seat belt. After fastening buckles, adjust belts to get a snug fit around your child.

**AVOID FINGER ENTRAPMENT** Use care when folding and unfolding the stroller. Be certain the stroller is fully erected and latched before allowing your child near the stroller.

**STRANGULATION HAZARD** Do not place items with a string around your child's neck, suspend strings from this product, or attach strings to toys.

**ALWAYS** keep your child in view while in this product.

**ALWAYS** allow the fabric to dry naturally away from direct heat.

**ALWAYS** check that the attachments are correctly engaged.

**DO NOT** let your child play with this product.

**DO NOT** place any item on the canopy of this product.

**DO NOT** leave this product exposed in the vicinity of a strong source of heat i.e. a radiator or open fire or store this product in a damp place.

**DO NOT** make any changes or modifications to this product, that are not specified in this manual.

**DO NOT** use storage basket as a child carrier.

**NEVER** carry more than one child in a seating position at a time in this stroller.

**NEVER** use the stroller on stairs or escalators. You may suddenly lose control of the stroller or your child may fall out.

**NEVER** allow children to stand on the footrest.

### **Magnetic Harness Buckle**

The buckle and buckle clips contain magnets. If your child has a medical condition that prohibits the use of magnets near the child, do not use the stroller. Call Nuna to arrange an alternative product or different restraint solution.

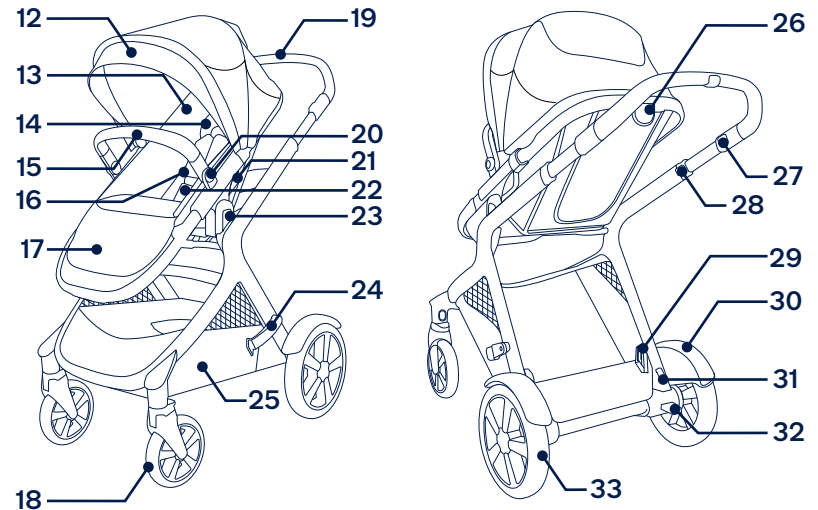
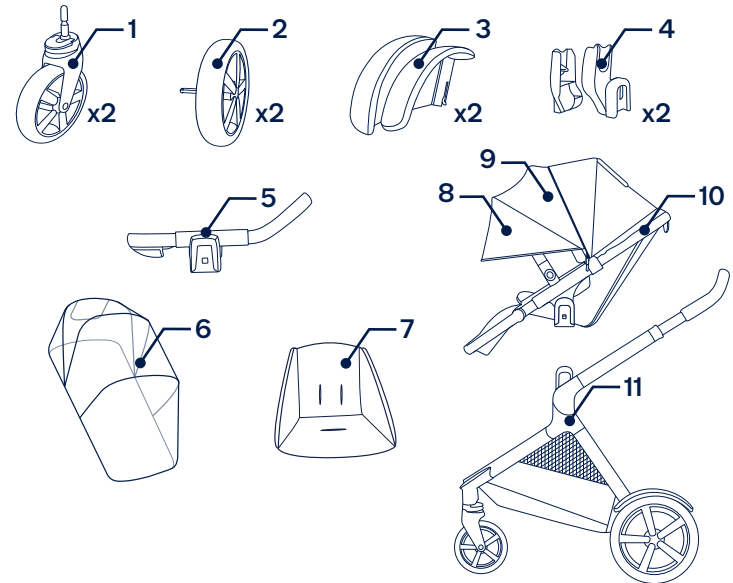
Be mindful of the possible interaction of magnets in buckles and certain electronic devices.

# Parts List

Make sure all parts are available before assembly.  
If any part is missing, please contact Nuna (see page 4 for information). No tools are required for assembly.

**⚠ CHOKING HAZARD:** Remove and immediately discard protective end caps from each wheel and wheel hub axle.

- |                          |  |
|--------------------------|--|
| 1 Front Wheel (x2)       | 19 Stroller Handle                               |
| 2 Rear Wheel (x2)        | 20 Arm Bar Adjustment Button                     |
| 3 Rear Fender            | 21 Seat Release Button                           |
| 4 Car Seat Post Adapters | 22 Buckle and Crotch Cover                       |
| 5 Car Seat Ring Adapter  | 23 Upper Seat Mount                              |
| 6 Rain Cover             | 24 Storage Latch                                 |
| 7 Insert                 | 25 Storage Basket                                |
| 8 Canopy Drape           | 26 Recline Adjustment Button                     |
| 9 Classic Canopy         | 27 Handle Adjustment Button                      |
| 10 Stroller/Sibling Seat | 28 Folding Button                                |
| 11 Stroller Frame        | 29 Lower Seat Mount                              |
| 12 Aire Protect Canopy™  | 30 Rear Fender                                   |
| 13 Seat Pad              | 31 Custom Dual Suspension™ Adjustment Lever (x2) |
| 14 Head Support          | 32 Brake Lever                                   |
| 15 Arm Bar               | 33 Rear Wheel                                    |
| 16 Shoulder Harness Pads |  |
| 17 Calf Support          |  |
| 18 Front Wheel           |  |



# Product Set Up

## Open Stroller

- 1 - Separate the storage latch from the storage mount.
- 2 - Then, rotate the stroller handle up.
- 3 - A “click” sound means the stroller frame is open completely.

Check the stroller frame is completely latched open before continuing.

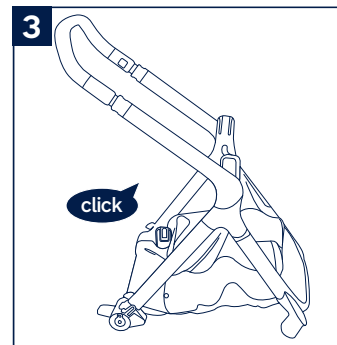
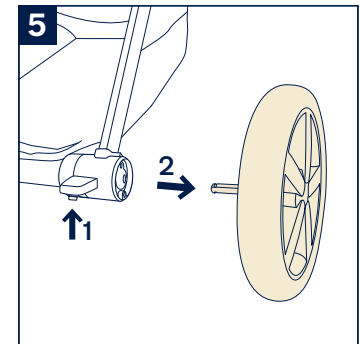
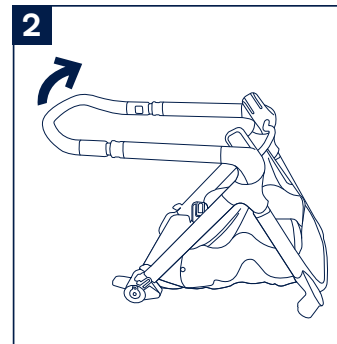
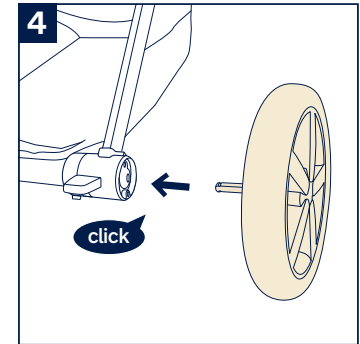
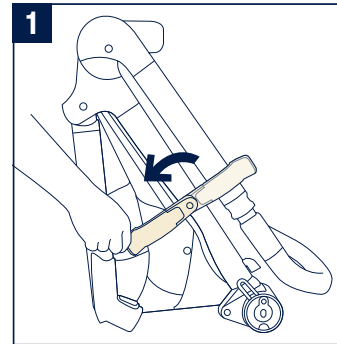
## Rear Wheels

- 4 - Insert the rear wheel into the rear leg. A “click” sound means the rear wheel is assembled completely.

Check the wheel is securely attached by pulling out.

Repeat on opposite side.

- 5 - To remove the rear wheel, press the release button (1) and detach the rear wheel from the rear leg (2).





## Front Wheels

**1** - Insert the front wheel into the front leg. A “click” sound means the wheel is assembled completely.

Check the wheel is securely attached by pulling out

Repeat on opposite side.

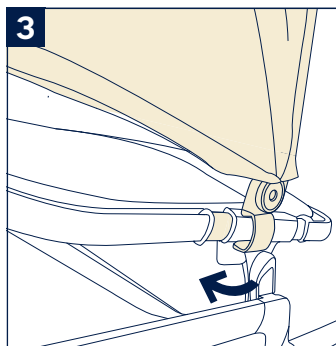
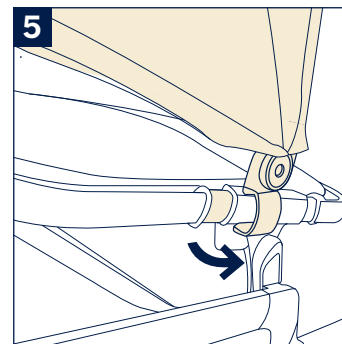
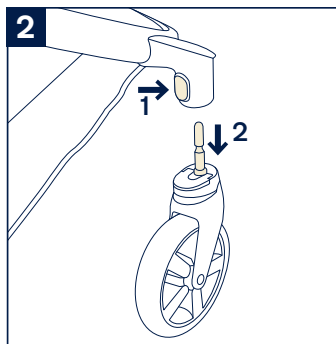
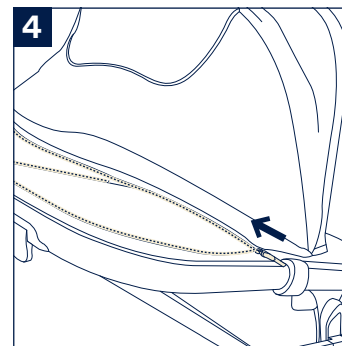
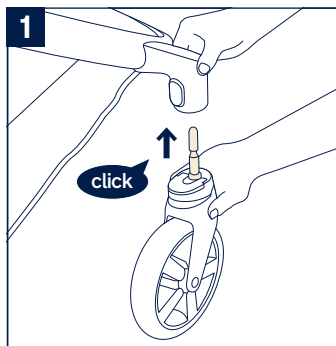
**2** - To remove the front wheel, press the release button (1) and detach the front wheel from the front leg (2).

## Canopy

**3** - Clip the canopy mount onto the stroller/sibling seat on each side.

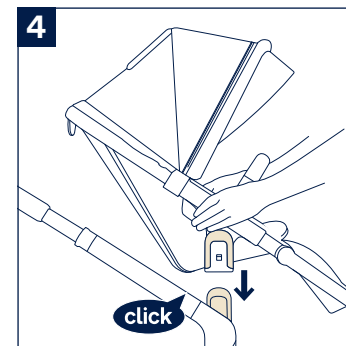
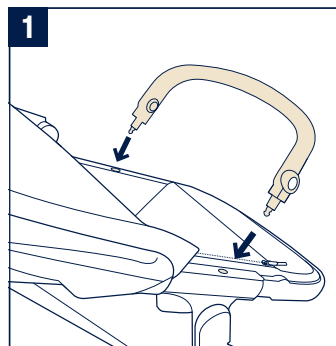
**4** - Zip the canopy to the stroller/sibling seat.

**5** - To remove the canopy, unzip the zippers, then remove the canopy mounts.



## Arm Bar

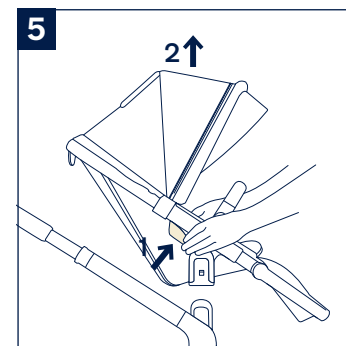
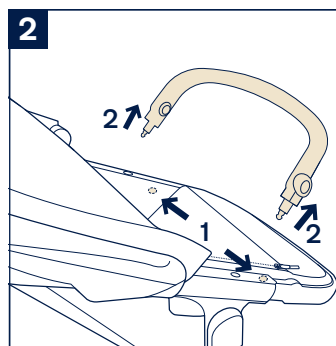
- 1 - Align the arm bar ends with the arm bar mounts, and insert until it clicks into place. A “click” sound means the arm bar is assembled completely.
  - 2 - To remove the arm bar, press the arm bar release buttons (1) located under seat pad, and remove the arm bar. (2)
  - 3 - For a more compact fold, press the armbar adjustment buttons (1) and rotate the armbar down (2) until it clicks into place.
- ⚠** Only use the down/stored position for folding. **NEVER** use this position with child in stroller.



## Stroller/Sibling Seat

The stroller/sibling seat can be attached rear or forward facing.

- 4 - Align the sides of the stroller/sibling seat with the seat mounts. Place the stroller/sibling seat directly down until it clicks into place. A “click” sound means the stroller/sibling seat is assembled completely.
- 5 - To remove the stroller/sibling seat, squeeze the seat release buttons (1) and lift the stroller/sibling seat up (2).

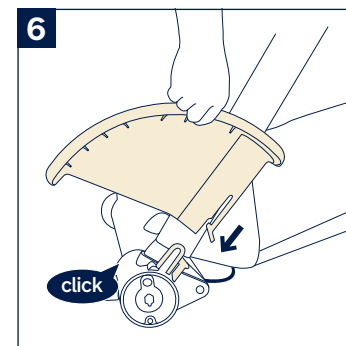
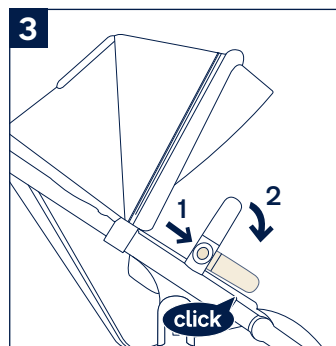


## Rear Fenders

Attach the rear fenders for twin and double modes.

For easier assembly, remove the rear wheels.

- 6 - Insert the rear fender into the rear leg. A “click” sound means the fender is assembled completely. Check the fender is securely attached by pulling up. Repeat on opposite side and reattach rear wheels.



### Check Set Up

- Stroller frame is latched open
- Rear and front wheels securely attached
- Canopy mount attached to stroller frame and canopy zipped to seat pad
- Stroller/sibling seat securely attached
- Rear fenders securely attached for twin/double mode

## Product Use

**⚠** The parking brake **MUST** be engaged when the stroller is stopped and when placing and removing child.

### Securing Your Child

- 1 - Push the top button on the buckle (1) to release the buckle latch and remove the magnetic clips (2).  
Place your child in the stroller.
- 2 - Insert the magnetic clips into the buckle.
- 3 - Fit the harness snugly to your child by sliding the lower adjustment straps (located under the harness covers) up (1). Then pull the waist adjustment straps out (2).

### Shoulder Harness Position

- 4 - The upper shoulder harness buckles can be moved up and down for added adjustment.

**⚠** To avoid serious injury from falling or sliding out, always secure your child with the harness.

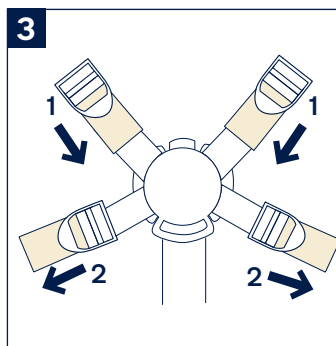
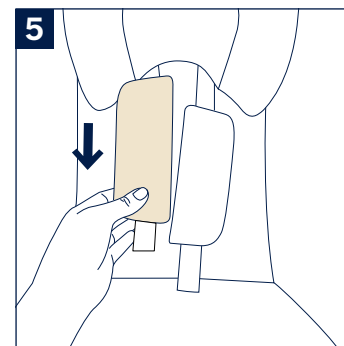
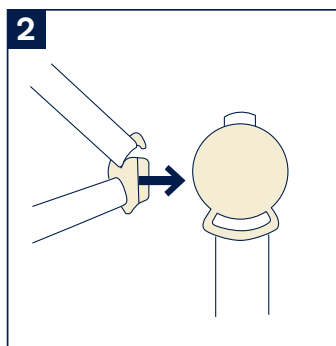
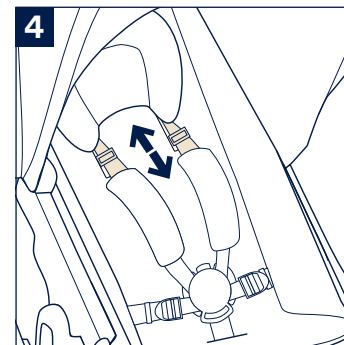
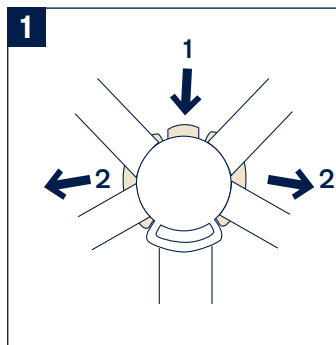
Make sure the harness is adjusted properly and your child is snugly secured. The space between the child and the shoulder harness should be about the thickness of one finger. **DO NOT** cross the shoulder belts. This will cause pressure on your child's neck.

### Shoulder Harness Pad Removal

To remove the shoulder harness pads, release the buckle.

- 5 - Slide the shoulder harness pad down off the shoulder buckle harness strap.

To reattach the shoulder harness pad, undo the snaps and insert the shoulder harness buckle through the inside loop.



## Aire Protect Canopy™

**1** - Unzip the canopy (1), pull the shade out, tuck it around the bottom of the calf support (2), and button on both sides (3).

## Classic Canopy

**2** - To open the canopy, pull the canopy toward the front of the seat, and to close the canopy, push it back.

**3** - Open the zipper (1) on the canopy to use the canopy drape.

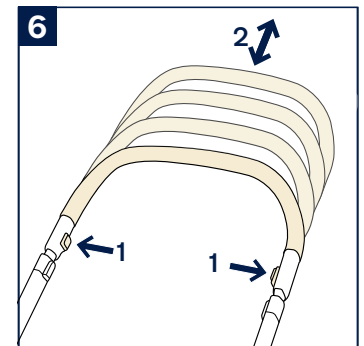
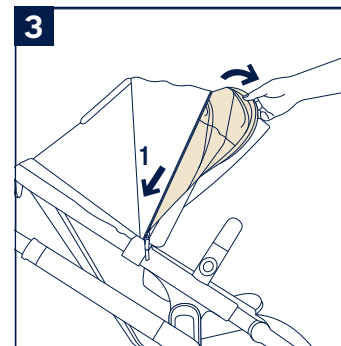
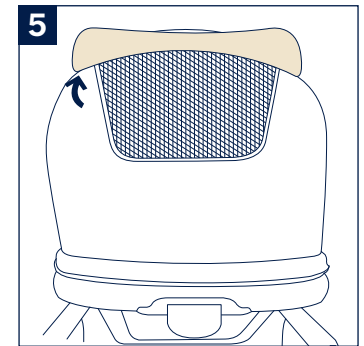
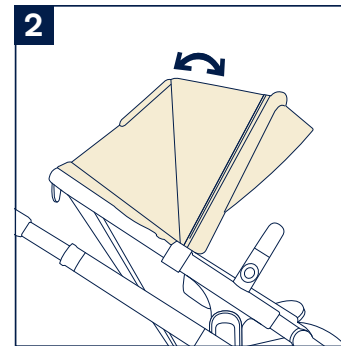
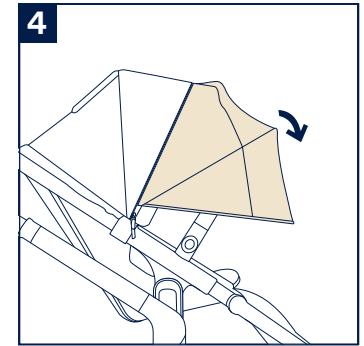
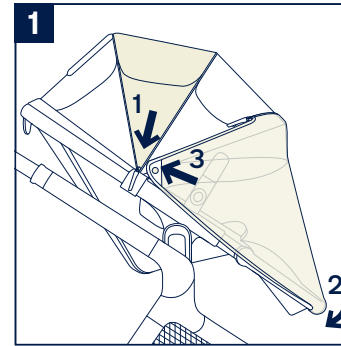
**4** - Pull down on the canopy drape for extra shade.

**5** - For added ventilation, flip the canopy window cover up.

## Handle

The handle has 4 positions.

**6** - To adjust the height of the handle, press the handle adjustment button (1) and pull the handle up or down (2).



## Calf Support

The calf support has 2 use positions.

- 1 - To raise the calf support, lift up. To lower the calf support, press the adjustment button in the middle of the calf support (1), and push down (2).

## Recline

- 2 - There are 3 recline positions for the backrest.
- 3 - To raise or lower the backrest, squeeze the recline adjustment button, and pull the seat up or down.

## Seat Pad

Use the winter seat pad in cold weather to provide a comfortable seating area. The winter seat pad can be removed to provide a mesh seating area for better ventilation during hot weather.

- 4 - To remove the seat pad, unbuckle the harness, open the zipper around the seat pad and route the harness through the seat pad slots.

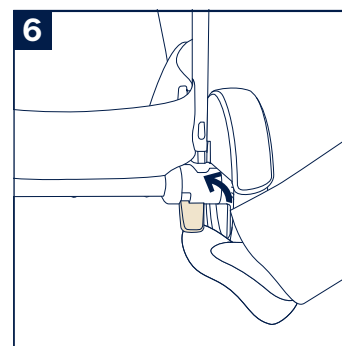
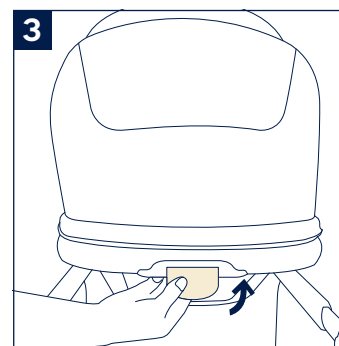
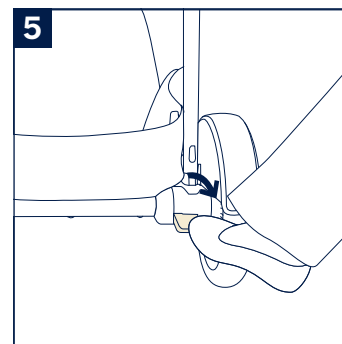
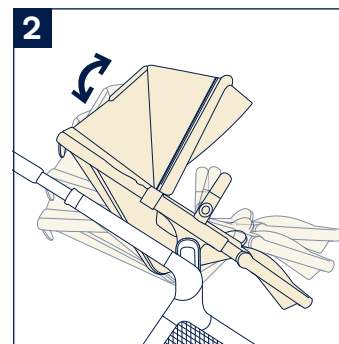
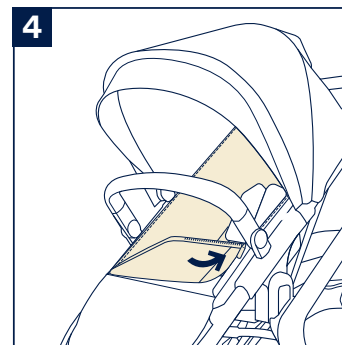
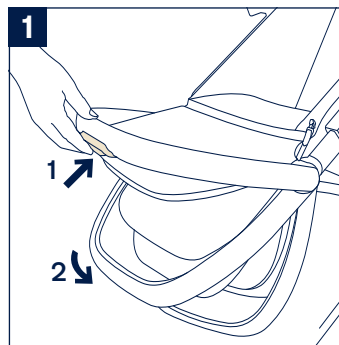
**⚠ DO NOT** remove the backrest tube.

## Brake

- 5 - To lock the rear wheels, step down on the brake lever.

- 6 - To unlock the rear wheels, lift up on the brake lever.

**⚠** Always apply the brake when the stroller is stopped. Push the stroller slightly to ensure the brake is engaged.



## Custom Dual Suspension™

The stroller has two suspension modes. Make sure there is no weight placed on the stroller when you are adjusting the suspension and that both adjustment levers are in the same position.

- 1 - Flip the adjustment levers up (1) when on rough terrain for a softer suspension and flip the adjustment levers down (2) when on smooth surfaces for a stiffer suspension.

When using as a double or twin, it is recommended to flip the adjustment levers down.

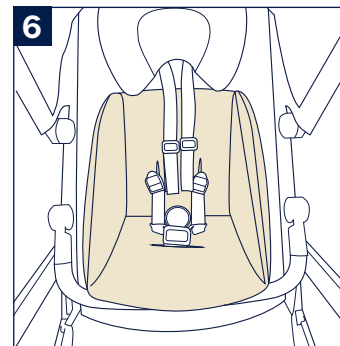
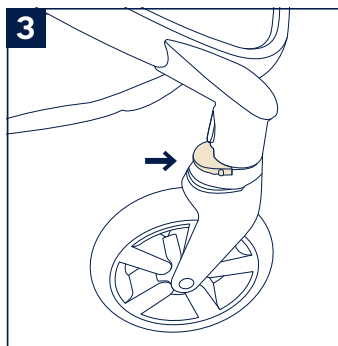
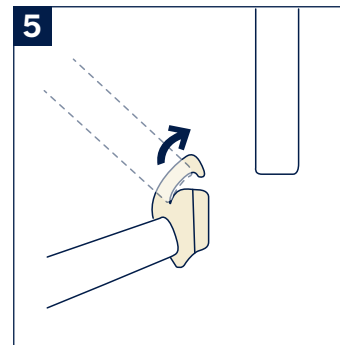
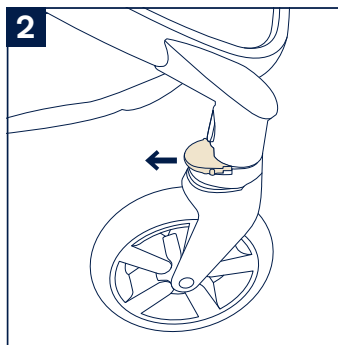
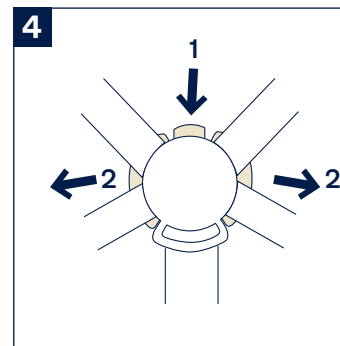
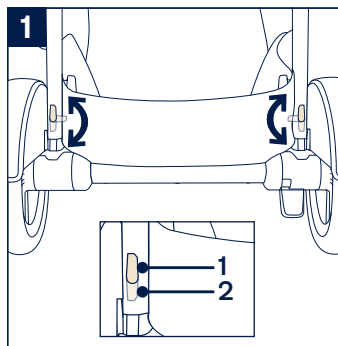
## Front Swivel Locks

It is recommended to use the front swivel locks on uneven surfaces.

- 2 - Pull the front swivel lock out to lock front wheel forward facing.
- 3 - Push the front swivel lock in to unlock.

## Insert\*

- 4 - Before assembling the insert, release the buckle (1) and remove the magnetic clips (2).
- 5 - Slide the shoulder harness strap off the upper portion of each magnetic clip to separate the shoulder harness from the waist harness.
- 6 - Position the insert on top of the winter or mesh seat pad. Route the harness waist straps and the buckle through the slots on the insert. Route the harness shoulder straps over the insert.



\*Available on some models

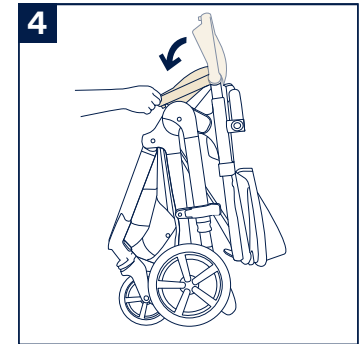
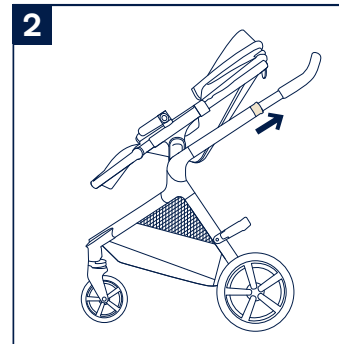
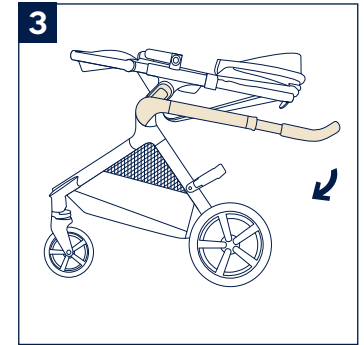
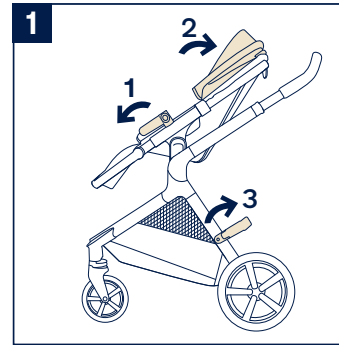
## Fold

Before folding the stroller, adjust the handle to the 2nd or 3rd highest position and make sure the front swivel locks are unlocked.

The stroller can be folded with the stroller/sibling seat facing forward or without the stroller/sibling seat.

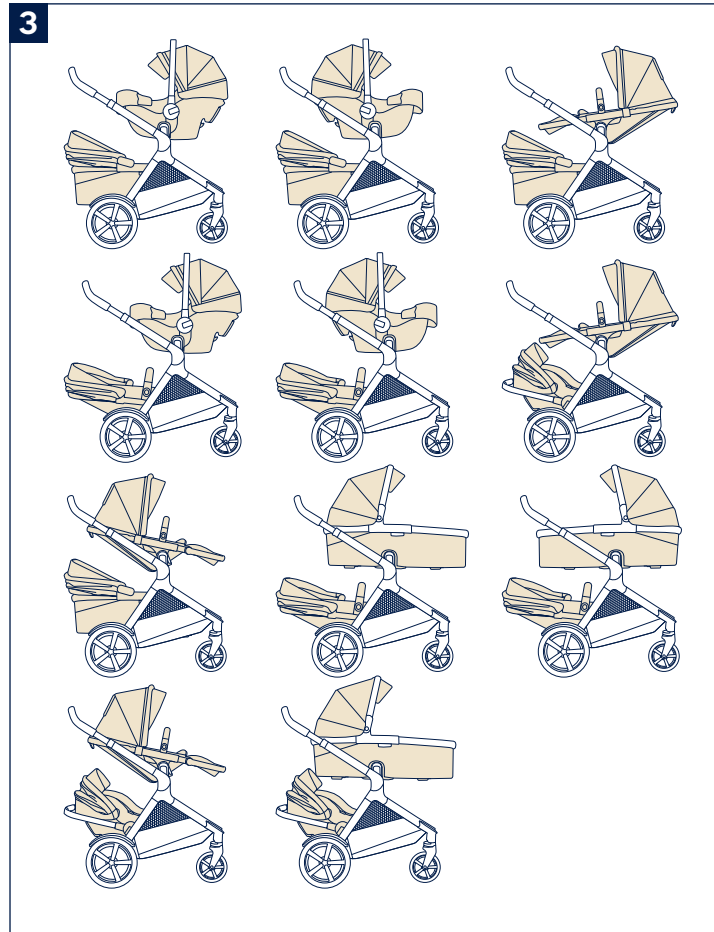
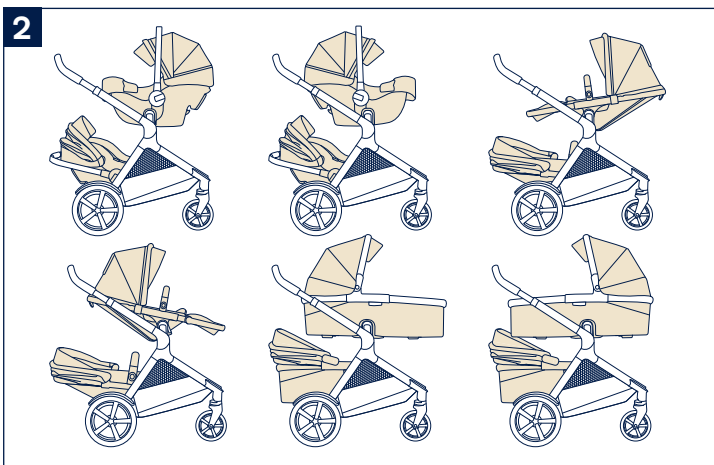
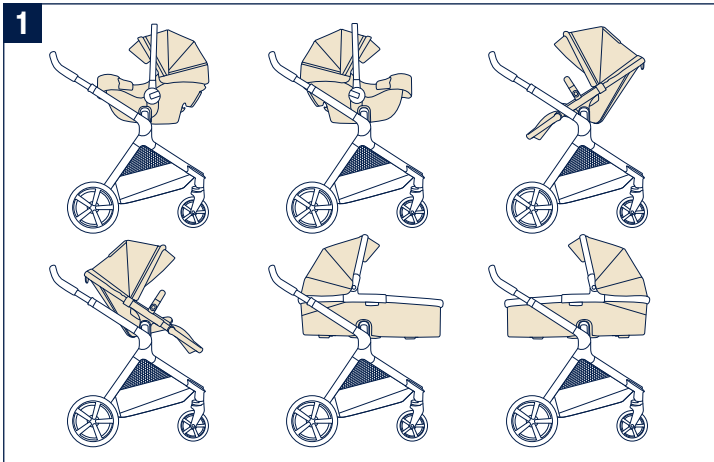
If folding with the seat, place the seat in the most reclined position for a more compact fold.

- 1** - Fold the armbar (1) and canopy (2), and rotate the storage latch out (3).
- 2** - Lift both folding buttons.
- 3** - Rotate the handle down and make sure the storage latch is closed on the stroller frame.
- 4** - Fold the calf support down for a more compact fold.



# Seating Options

The DEMI grow stroller frame can be used with the infant carrier (using included adapters), bassinet and stroller/sibling seat in the following combinations. Single (1), twin (2), double (3)



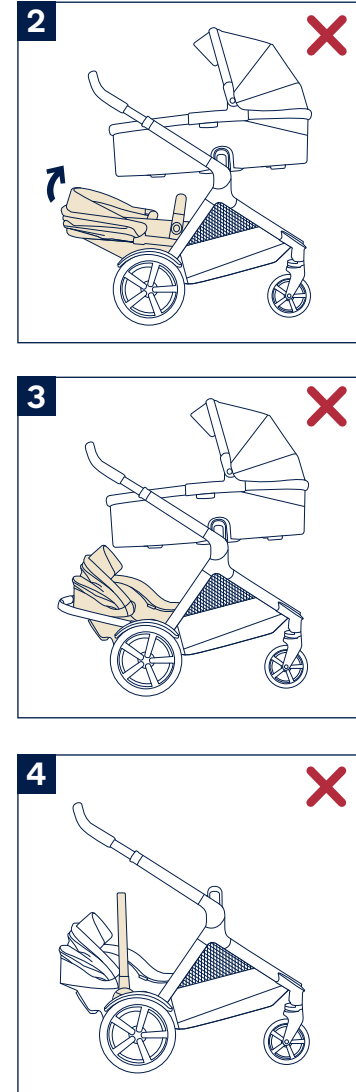


## Seating Option Use

When using the stroller frame with the stroller/sibling seat, bassinet or infant carrier, close the canopy when the stroller/sibling seat, bassinet or infant carrier is assembled on the lower mount.

**⚠** Not all accessories are included on some models and not all modes are allowed.

- 1 - DO NOT** use the stroller/sibling seat (1), bassinet (2) or infant carrier (3) rear facing on the lower mount.
- 2 - DO NOT** adjust the backrest of the stroller/sibling seat up, when it is assembled on the lower mount and the bassinet is assembled on the upper mount.
- 3 - DO NOT** assemble the infant carrier on the lower mount when the bassinet is rear facing on the upper mount.
- 4 - DO NOT** adjust the infant carrier handle to the vertical position when the infant carrier is assembled on the lower mount.



## Accessories

⚠ Not all accessories are included on some models.

### DEMI grow stroller/sibling seat

When installing the stroller/sibling seat in the lower mount, close the canopy, adjust the calf support to its highest position, and fold the stroller basket rear panel forward.

- 1 - To attach stroller/sibling seat, align the sides of the stroller/sibling seat with the seat mounts.

Place the stroller/sibling seat directly down until it clicks into place. A “click” sound means the stroller/sibling seat is attached.

⚠ Remove the stroller/sibling seat from the lower mount before folding the stroller.

### DEMI grow stroller/sibling seat rain cover

Only use the stroller/sibling seat rain cover in the upper mount.

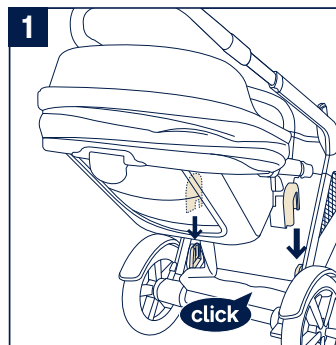
- 2 - To assemble the rain cover, place it over the stroller/sibling seat.

⚠ **ALWAYS** check ventilation, when the rain cover is on the product.

**ALWAYS** check that the rain cover has been cleaned and dried before folding.

**DO NOT** fold the stroller assembled with the rain cover.

**DO NOT** place your child into the stroller assembled with rain cover during hot weather.



## DEMI grow bassinet

For bassinet assembly and usage, please refer to the bassinet instruction manual.

When installing the bassinet in the lower mount, close the canopy.

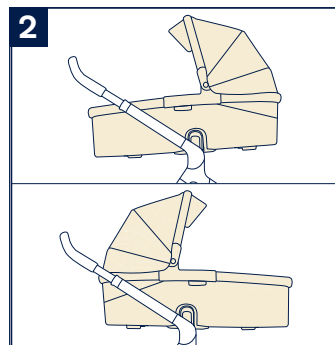
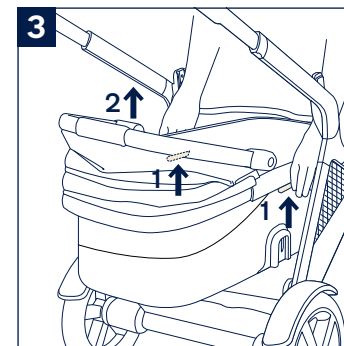
- 1 - To attach the bassinet, align the sides of the bassinet with the seat mounts.

Place the bassinet directly down until it clicks into place. A “click” sound means the bassinet is attached.

- 2 - The bassinet can be installed rear or forward facing in the upper mount.

- 3 - To remove the bassinet, press the bassinet release buttons (1) and lift up (2).

 Remove the bassinet before folding the stroller.



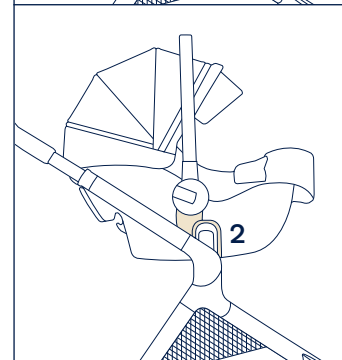
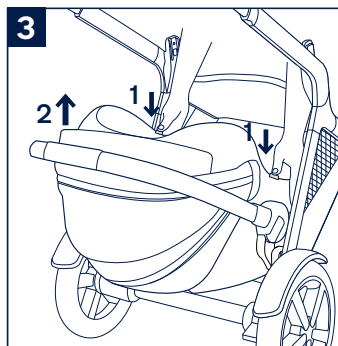
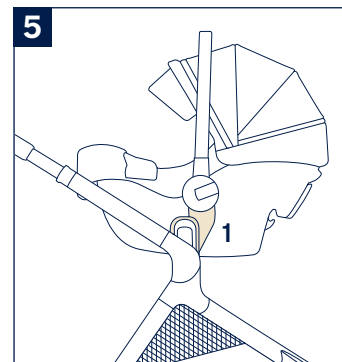
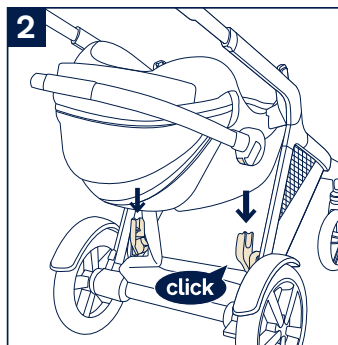
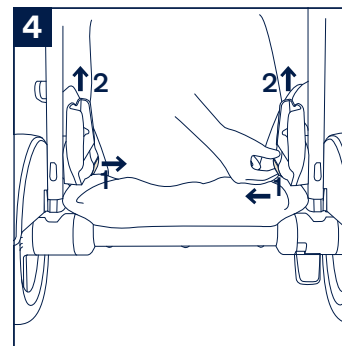
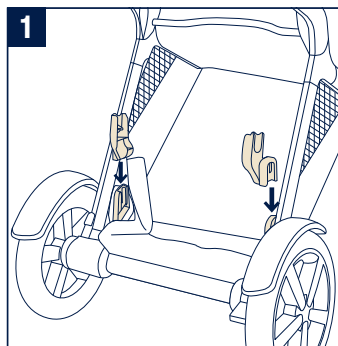
## DEMI grow car seat post adapters

For infant carrier assembly and usage, please refer to the infant carrier instruction manual.

When installing the infant carrier in the lower mount, close the canopy.

- 1 - To attach the car seat post adapters, place the car seat post adapters on the seat mounts. A “click” sound means the car seat post adapters are attached.
- 2 - To attach the infant carrier, place the infant carrier on the car seat post adapters. A “click” sound means the infant carrier is attached.
- 3 - To remove the infant carrier, push the stroller release buttons on the infant carrier (1) and lift up (2).
- 4 - To remove the car seat post adapters, pull the adapter release buttons (1) and lift up (2).
- 5 - The car seat post adapters and infant carrier can be attached rear facing (1) or forward facing (2) in the upper mount.

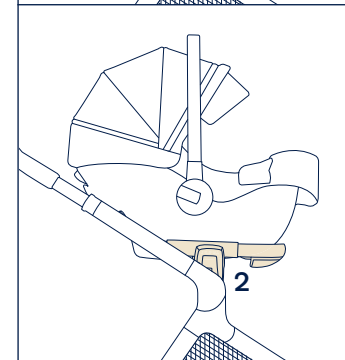
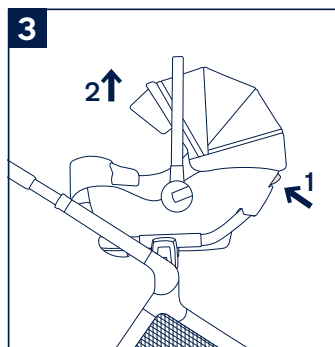
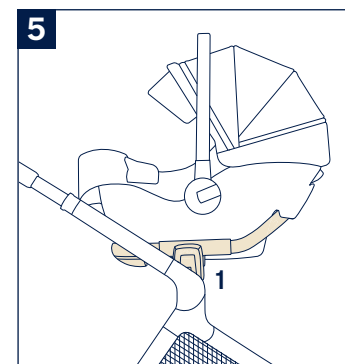
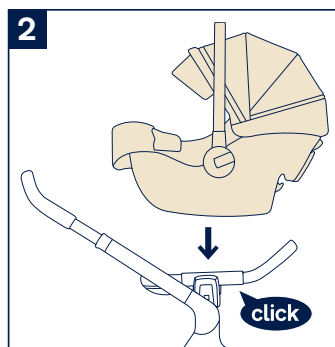
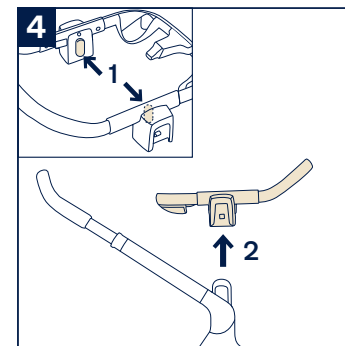
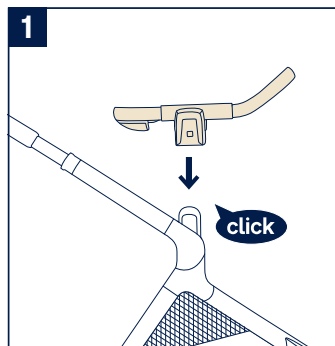
 Remove the infant carrier before folding.



## DEMI grow car seat ring adapter

For infant carrier assembly and usage, please refer to the infant carrier instruction manual.

- 1 - To attach the car seat ring adapter, place the car seat ring adapter on the seat mounts. A “click” sound means the car seat ring adapter is attached.
  - 2 - To attach the infant carrier, place the infant carrier on the car seat ring adapter. A “click” sound means the infant carrier is attached.
  - 3 - To remove the infant carrier, push the stroller release button located on the back of the infant carrier (1) and lift up (2).
  - 4 - To remove the car seat ring adapter, push the adapter release buttons (1) and lift up (2).
  - 5 - The car seat ring adapter and infant carrier can be attached rear facing (1) or forward facing (2) in the upper mount.
- ⚠ Remove the infant carrier before folding.



# Cleaning and Maintenance

Clean the frame, plastic parts, and fabric with a damp cloth, but do not use abrasives or bleach. Do not use silicon lubricants as they will attract dirt and grime. Do not store your stroller in a damp place.

Clean the stroller wheels regularly with water and remove any dirt.

To ensure long-lasting use, wipe off this product with a soft, absorbent cloth after using it in rainy weather.

Refer to the care label attached to the fabric for washing and drying instructions.

It is normal for fabric to color from sunlight and to show wear and tear after a long period of use, even when used normally.

For reasons of safety, only use original Nuna parts.

Check regularly if everything functions properly. If any parts are torn, broken, or missing, stop using this product.