



PETOMG[®]
Pet Home Decor

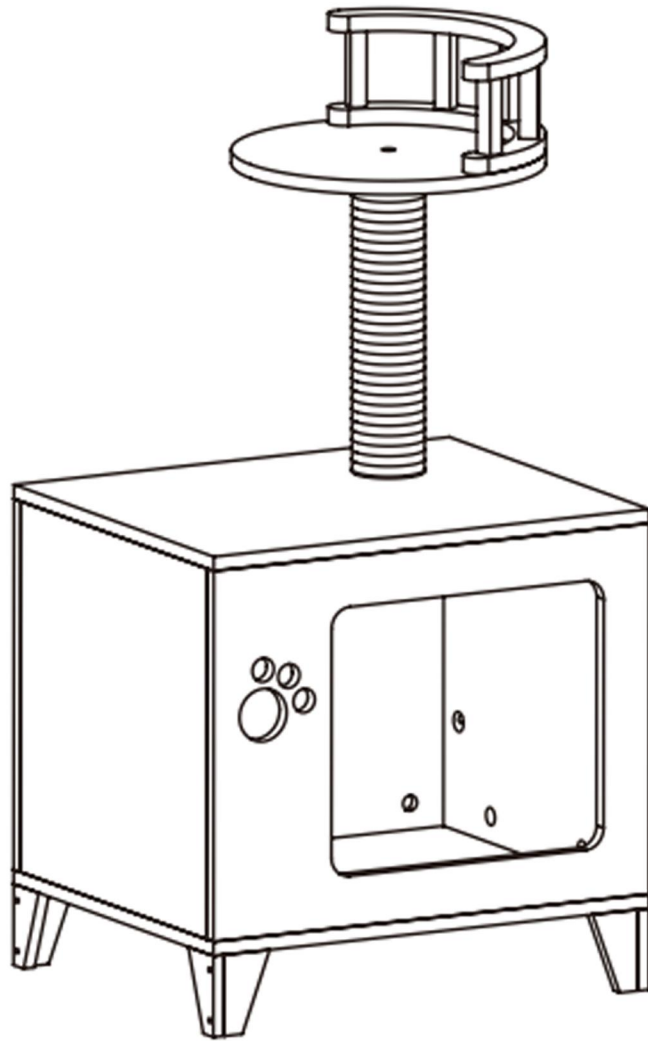
Cat Wall Furniture Instructions

NC015

Table of contents

| | |
|------------------|----------|
| PT01..... | 1 |
| CM05..... | 6 |
| CM09..... | 9 |

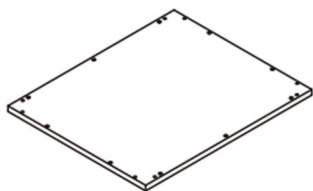
Cat Tree Instructions



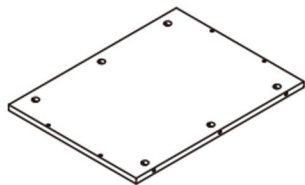
PT0001



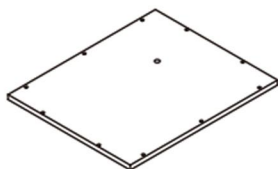
PETOMG[®]
Pet Home Decor



Ax1



Bx1



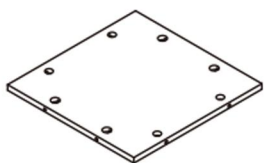
Ex1



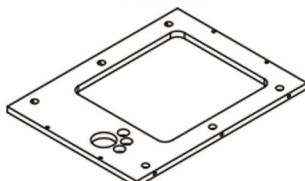
Gx4



Hx1



Cx2



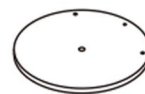
Dx1



Fx1



Jx4



Kx1



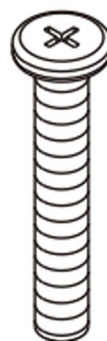
Lx30



Mx30



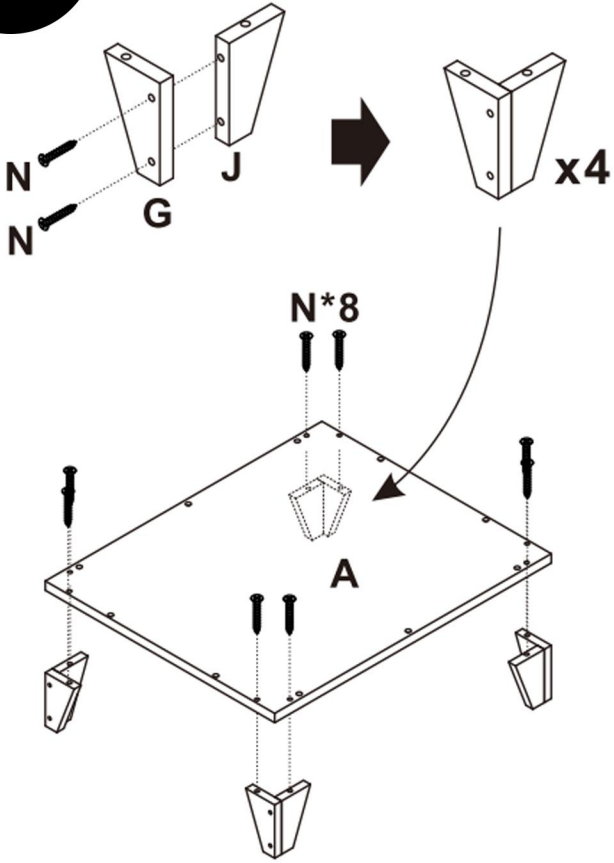
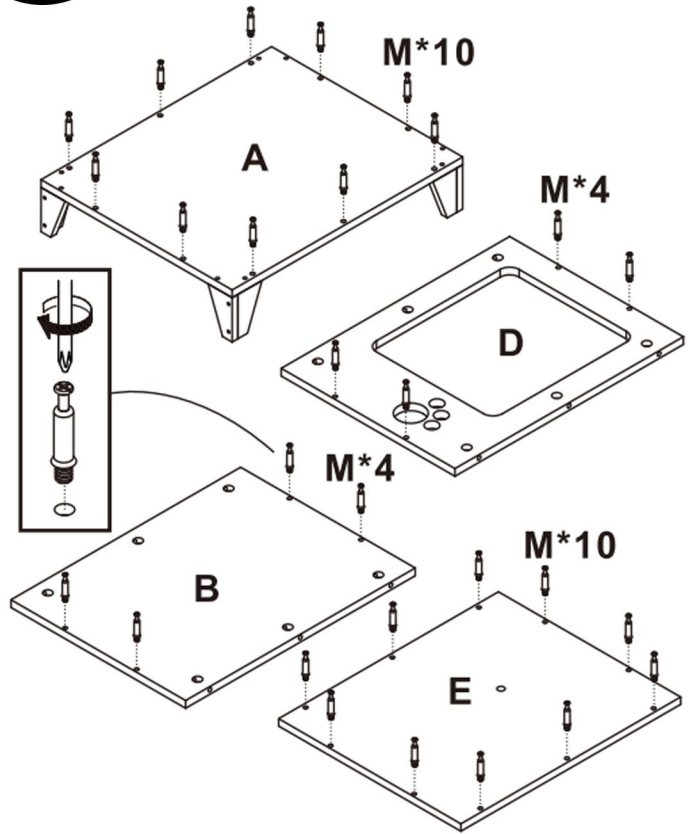
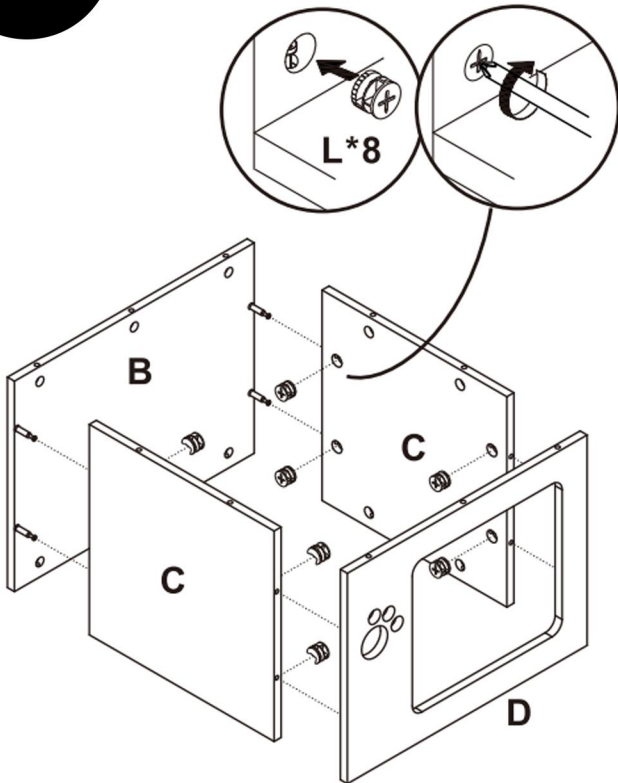
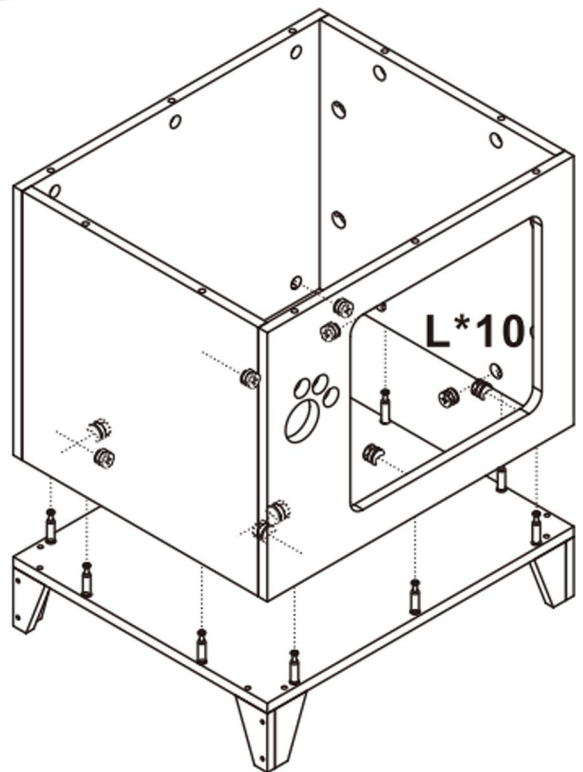
Nx30



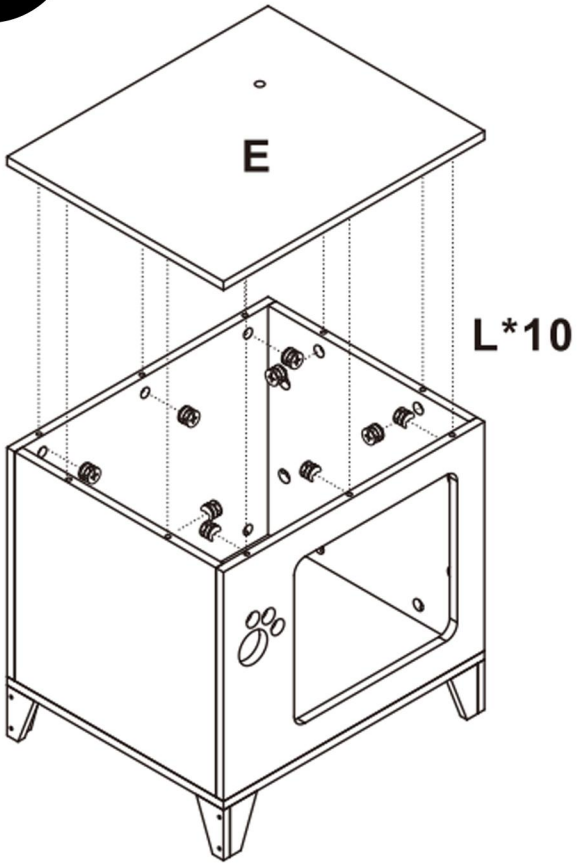
Ox2



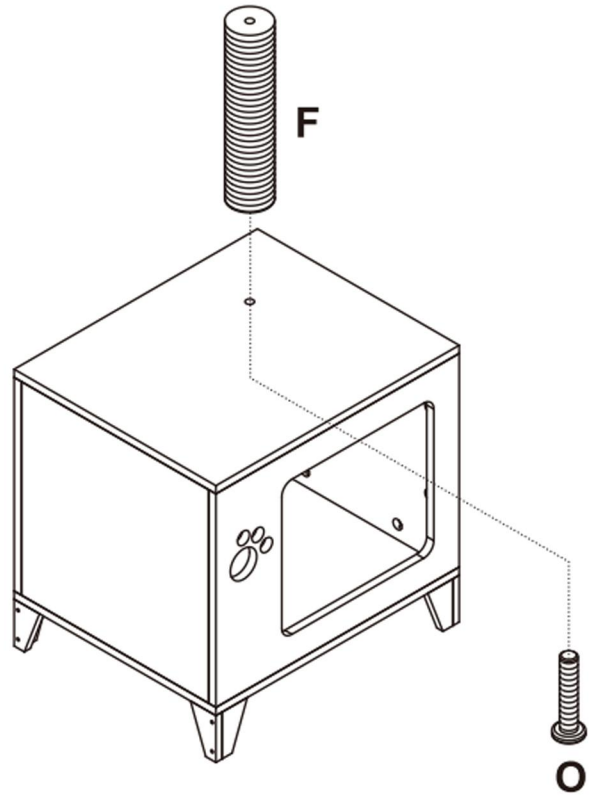
x1

1**2****3****4**

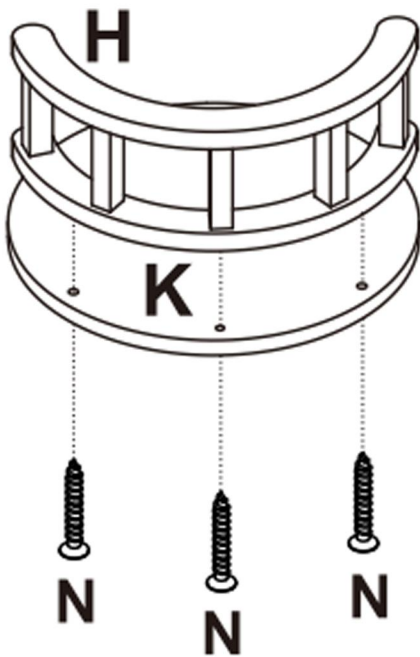
5



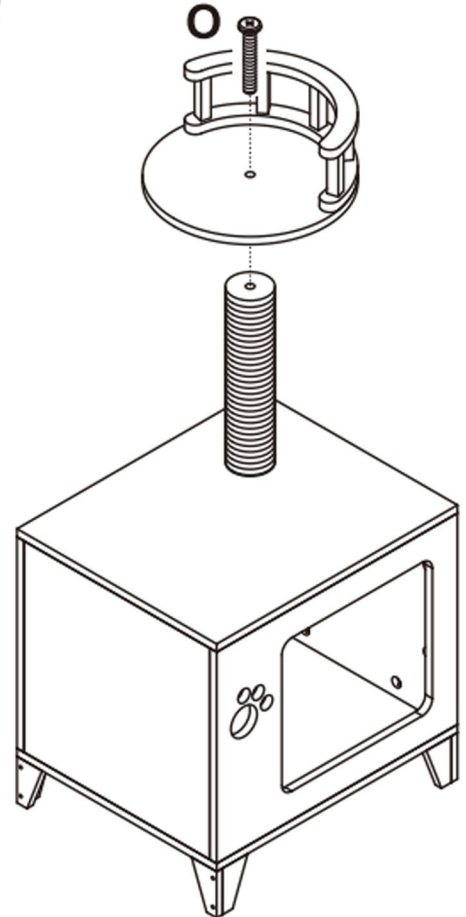
6



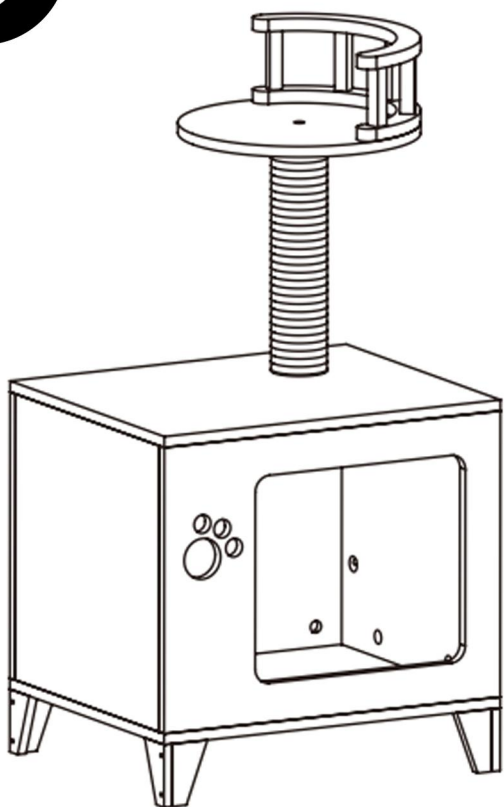
7



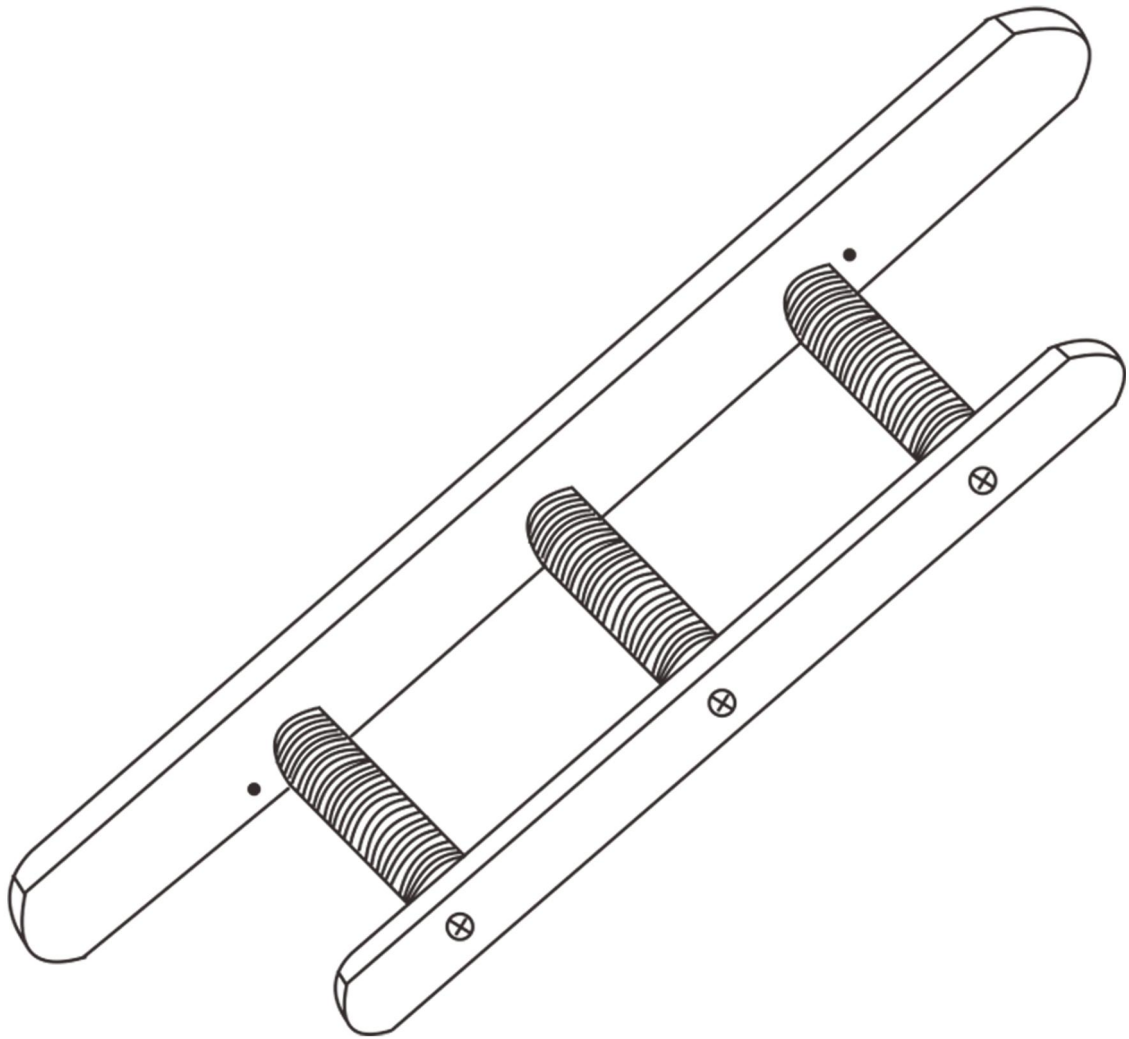
8



9



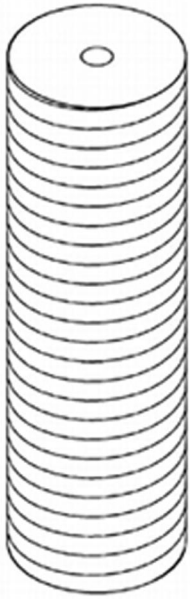
Cat Wall Stepper Instructions



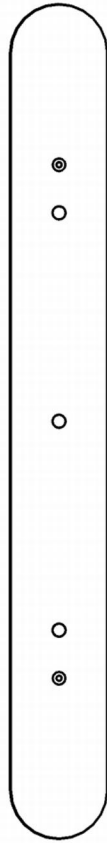
CM05



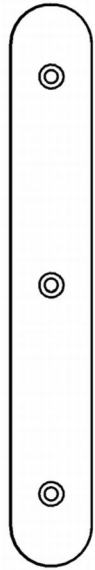
PETOMG[®]
Pet Home Decor



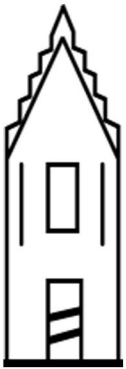
$a \times 3$



$A \times 1$



$B \times 1$



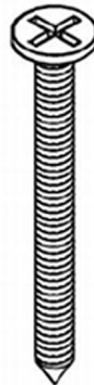
For drywall

$\times 4$

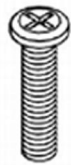


Solid wall

$\times 4$

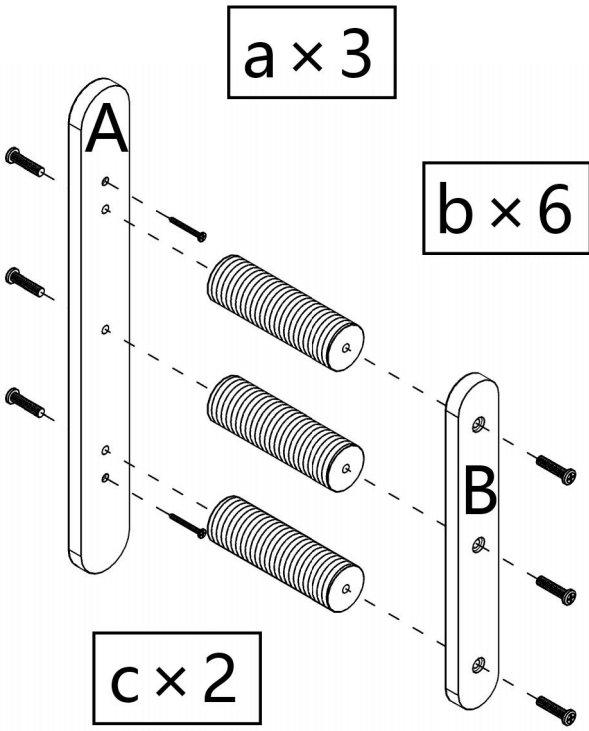


$c \times 4$

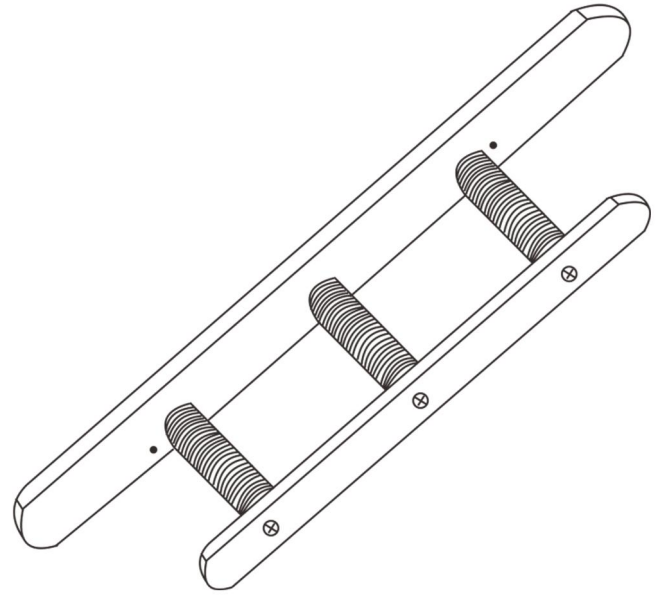


$b \times 6$

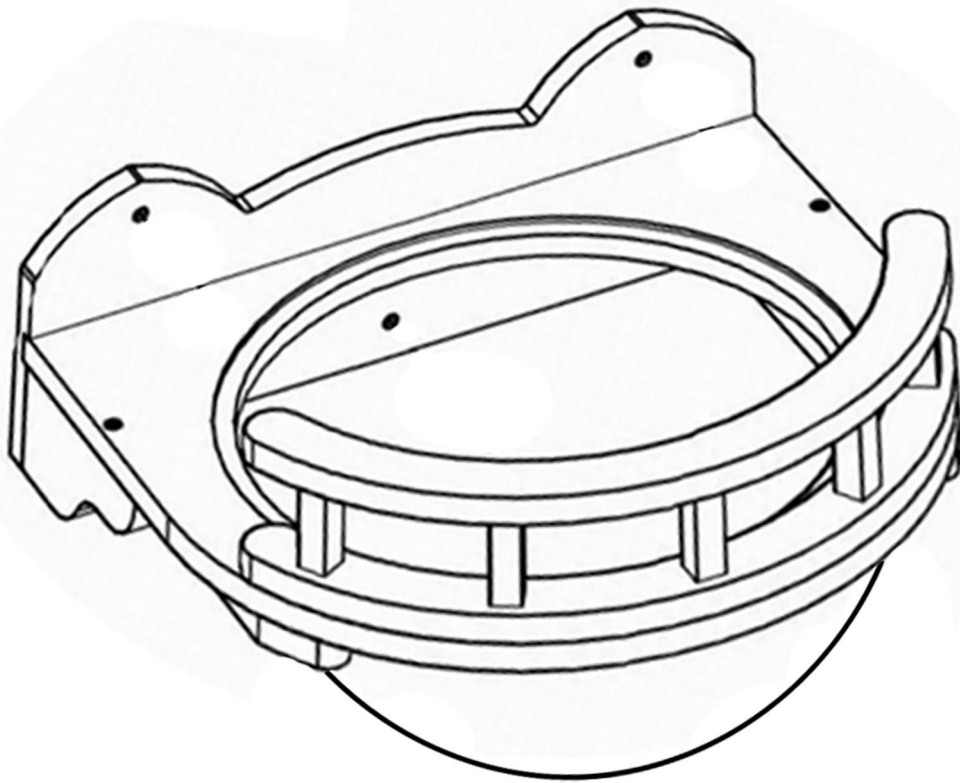
1



2



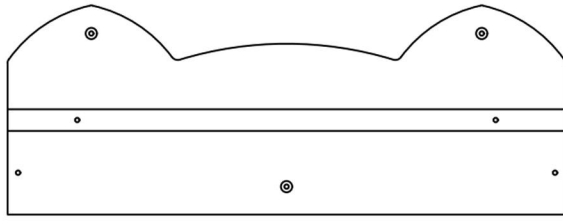
Cat Space Capsule Instructions



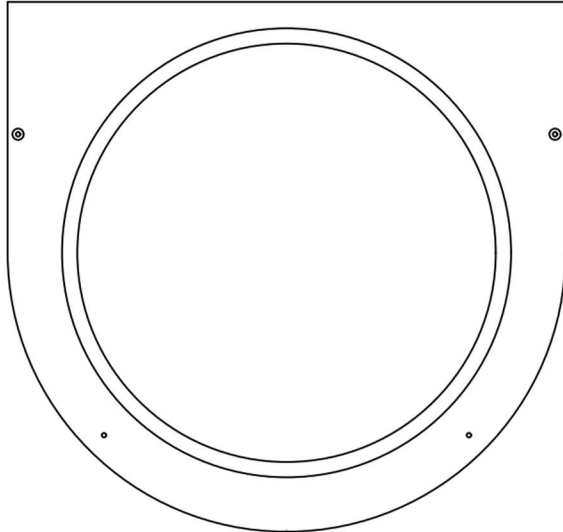
CM09



PETOMG[®]
Pet Home Decor



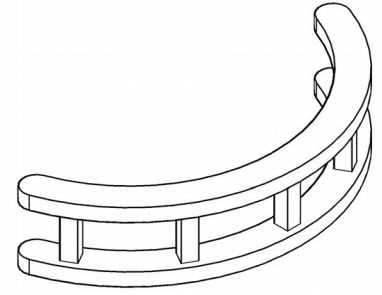
A x 1



B x 1



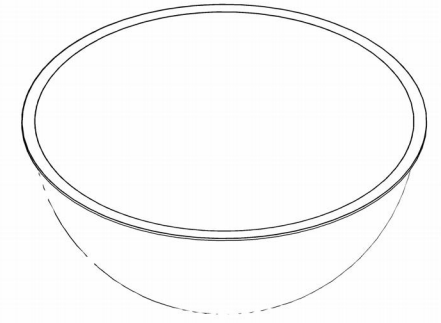
C x 2



D x 1



E x 1



For drywall
x5



Solid wall
x5



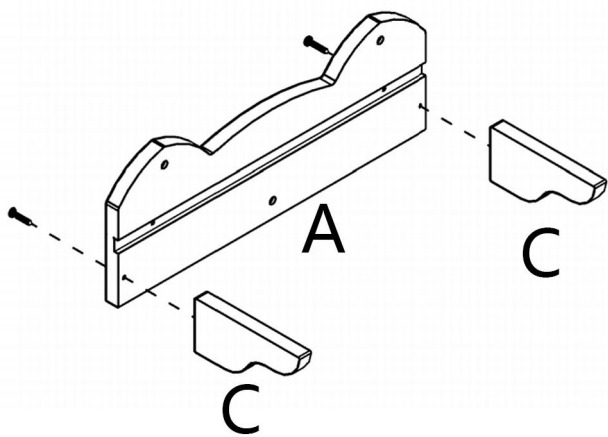
a x 5



b x 8

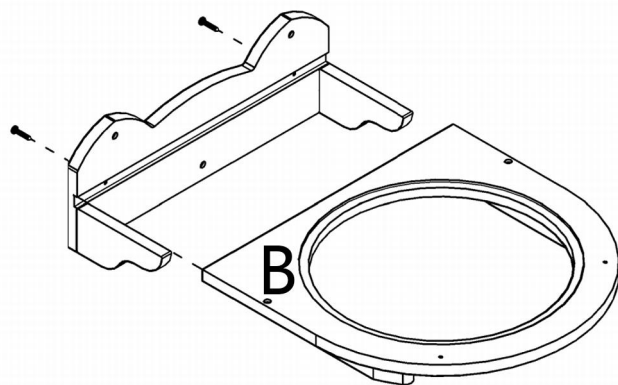
1

b × 2



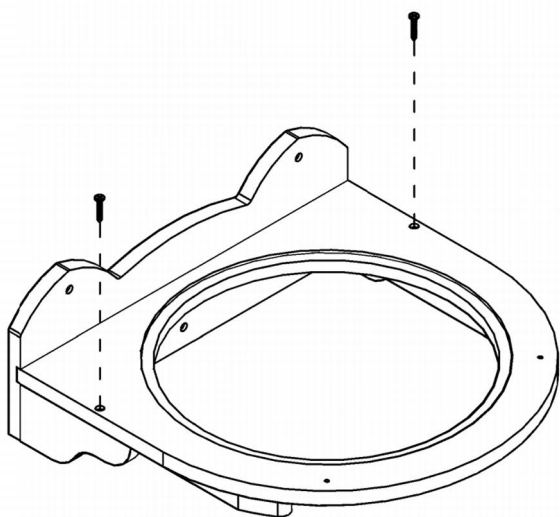
2

b × 2



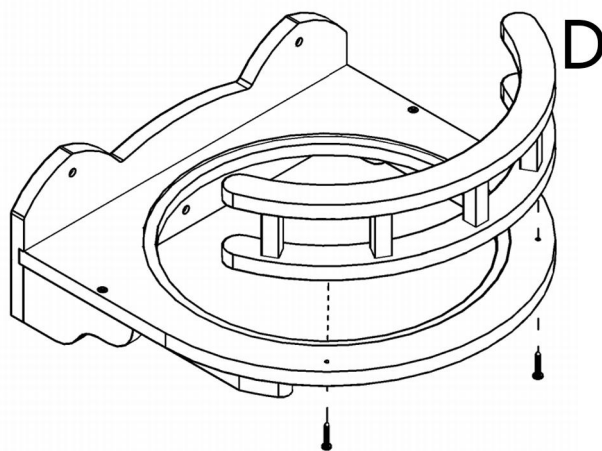
3

b × 2



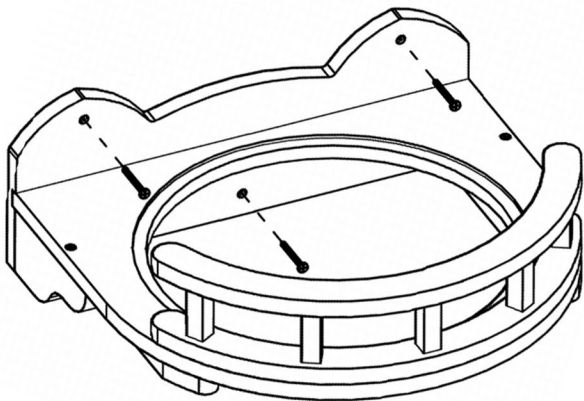
4

b × 2



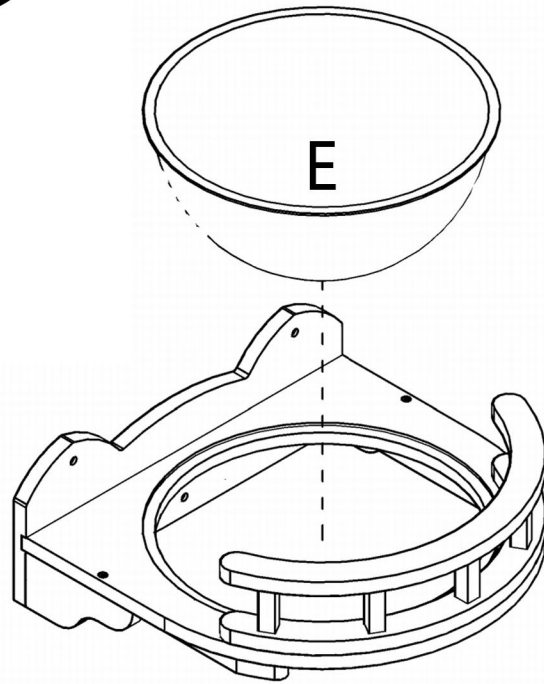
5

a x 3



6

E



7

