



PETOMG[®]
Pet Home Decor

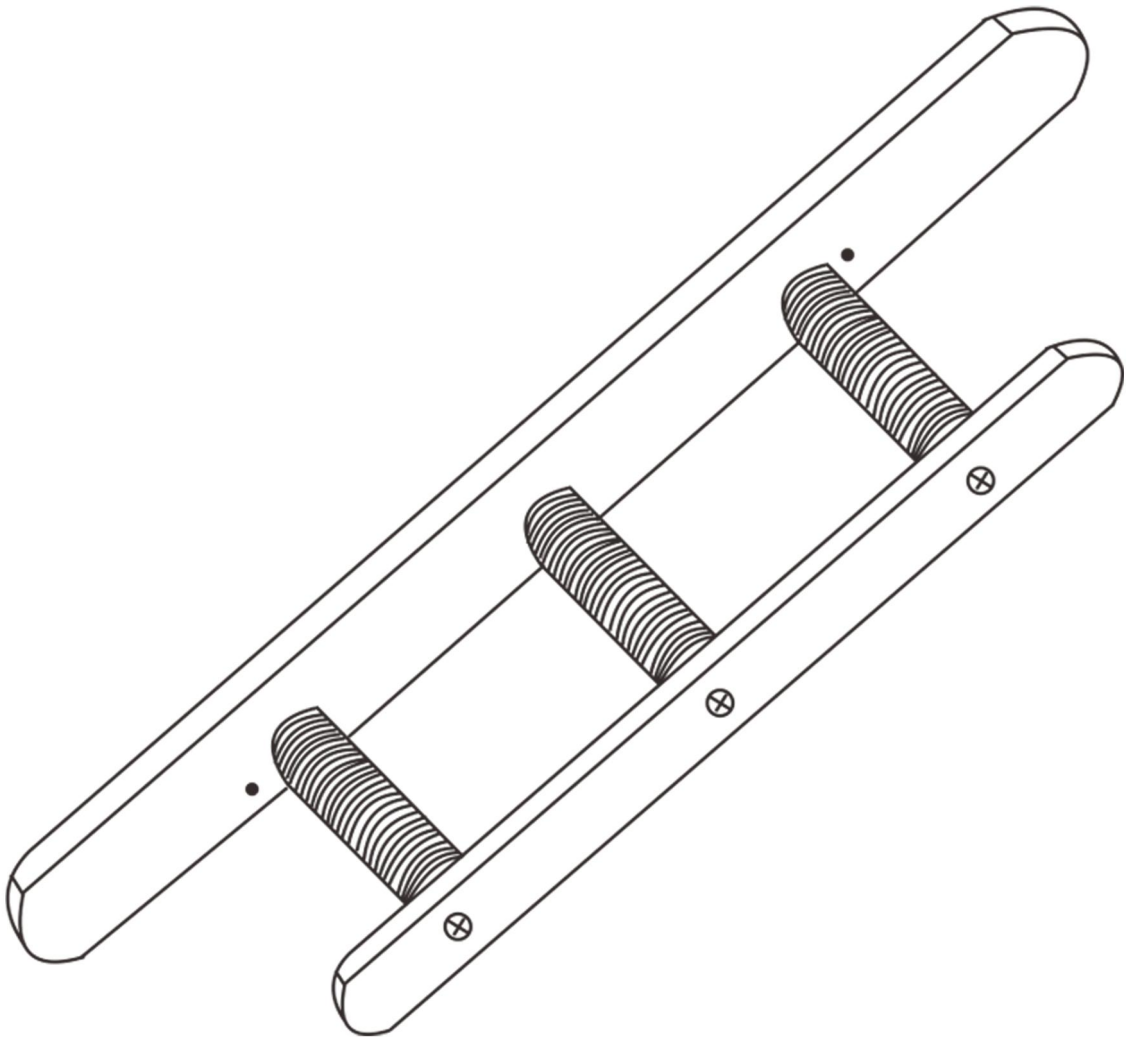
Cat Wall Furniture Instructions

NC011

Table of contents

CM05.....	1
CM12.....	4
CM09.....	8

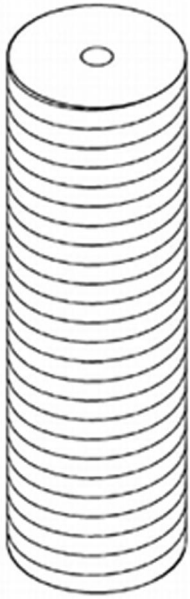
Cat Wall Stepper Instructions



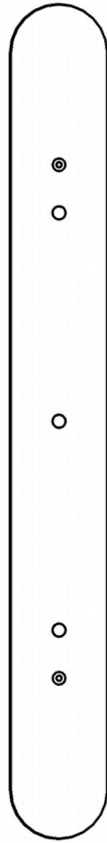
CM05



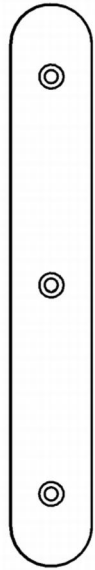
PETOMG[®]
Pet Home Decor



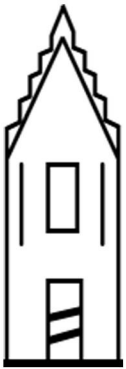
$a \times 3$



$A \times 1$

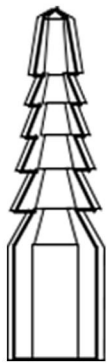


$B \times 1$



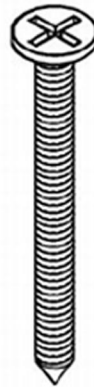
For drywall

$\times 4$

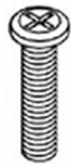


Solid wall

$\times 4$

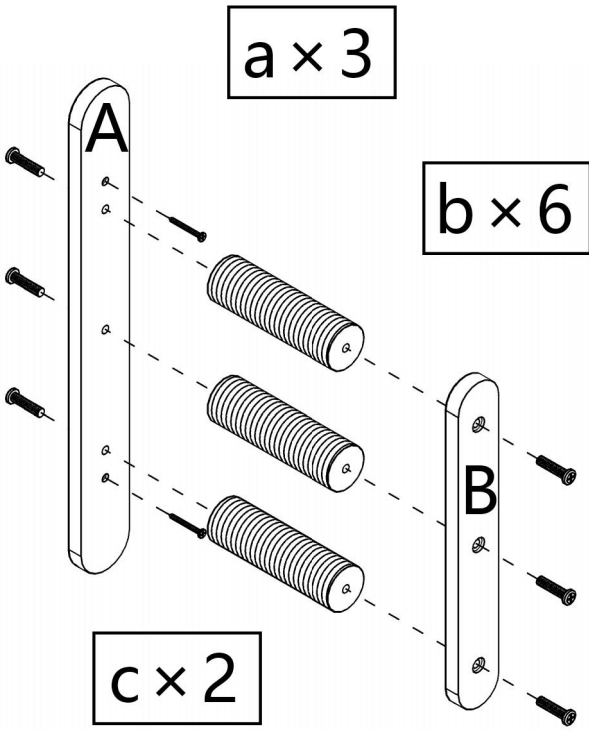


$c \times 4$

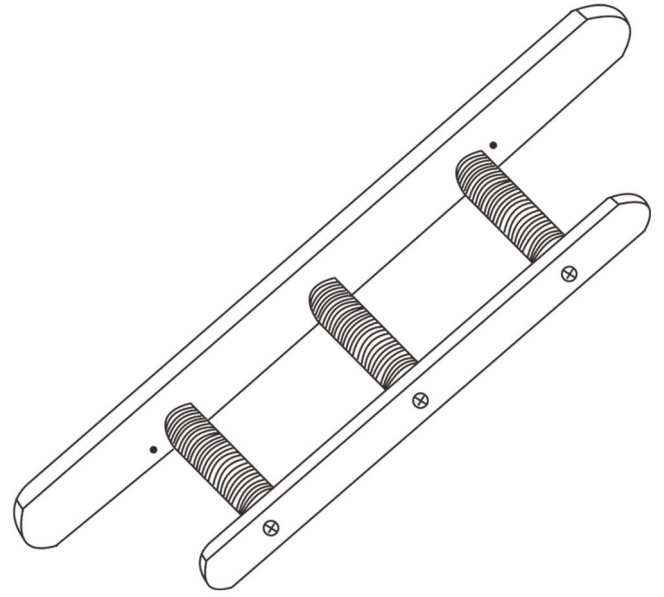


$b \times 6$

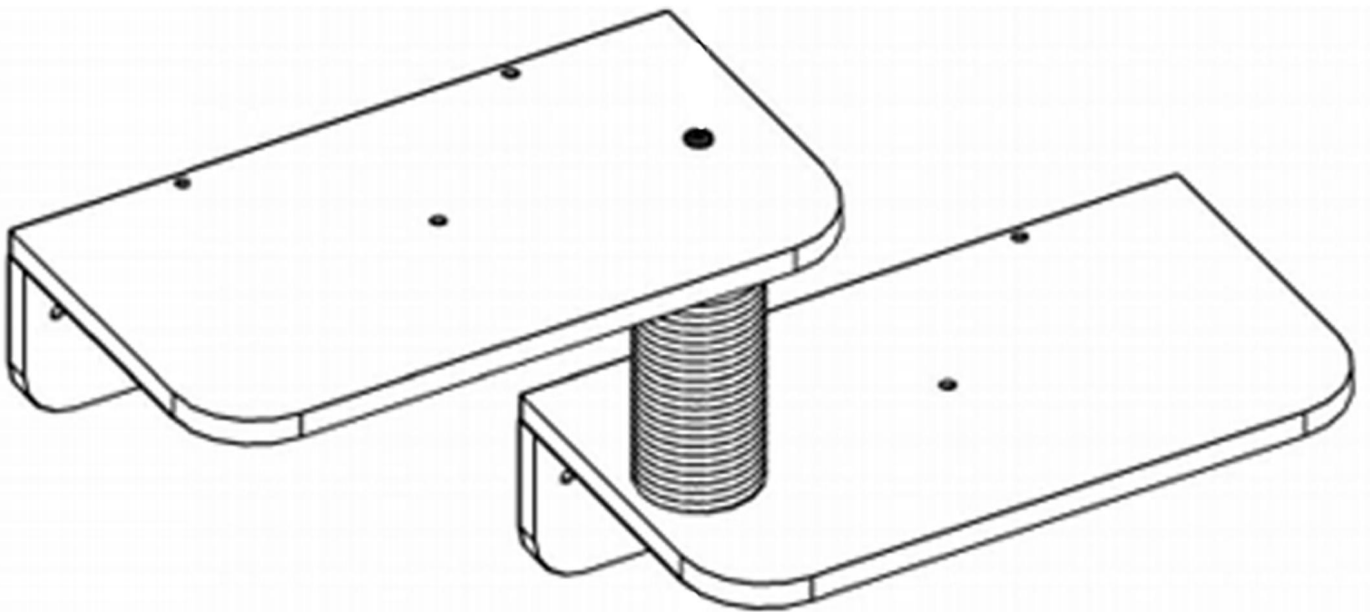
1



2



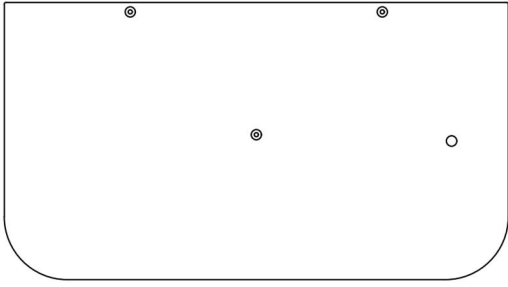
Medium Cat Wall Stepper Instructions



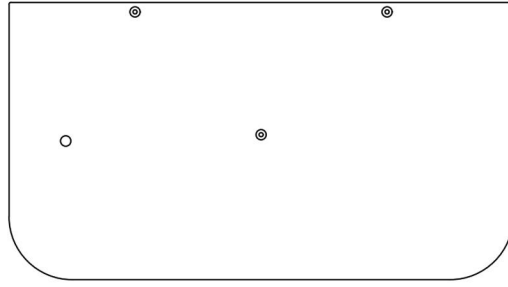
CM12



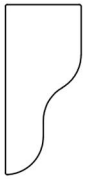
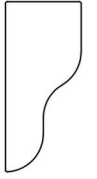
PETOMG[®]
Pet Home Decor



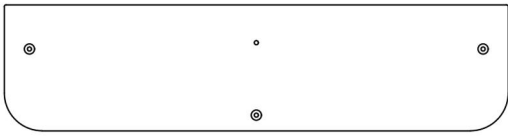
A x 1



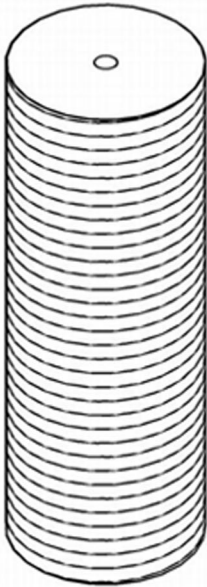
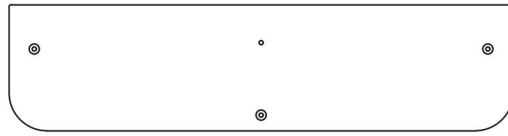
B x 1



D x 2



C x 2



a x 1



For drywall
x 8



b x 8



Solid wall
x 8



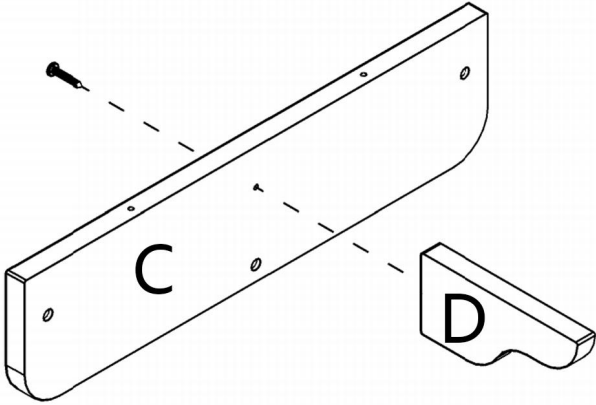
c x 2



d x 10

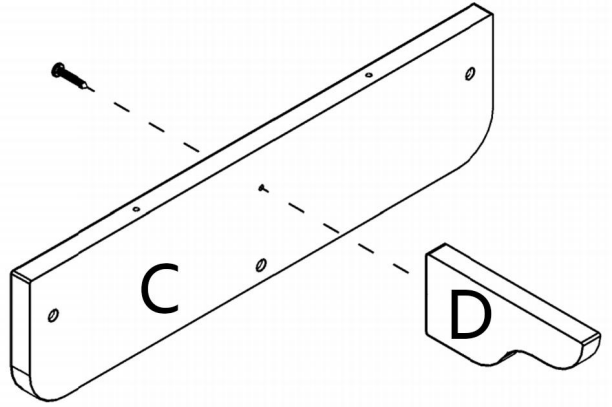
1

a x 1



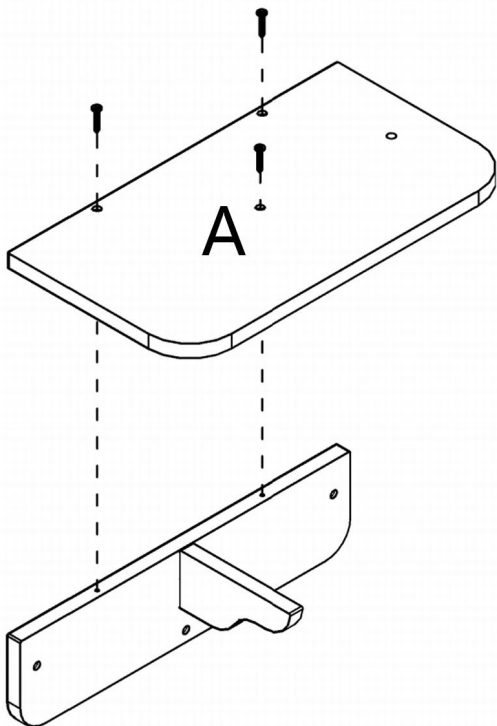
2

a x 1



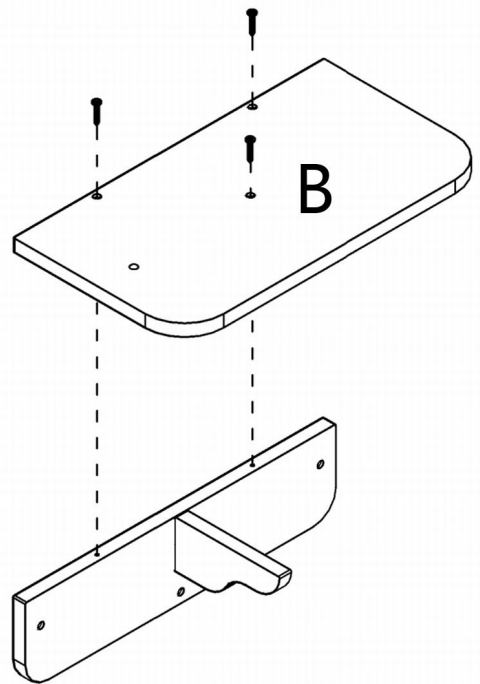
3

a x 3



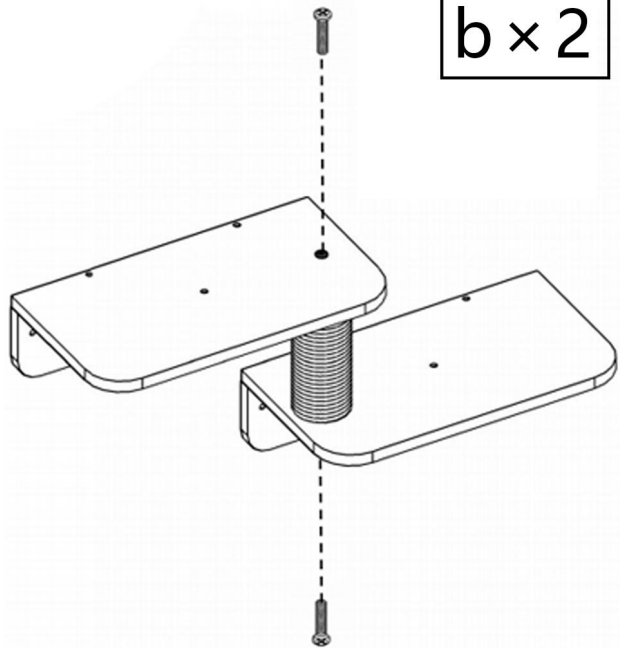
4

a x 3



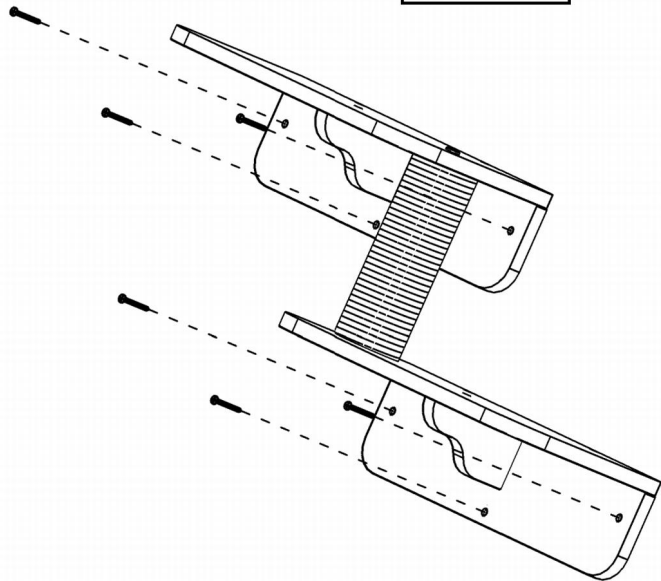
5

b × 2

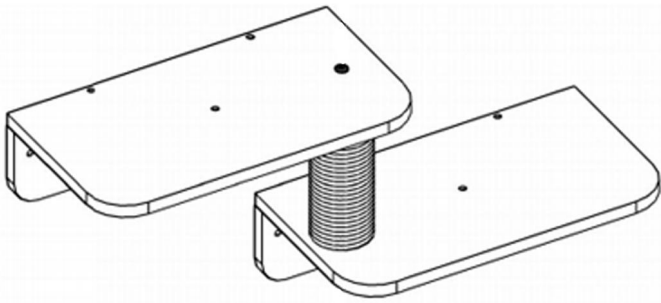


6

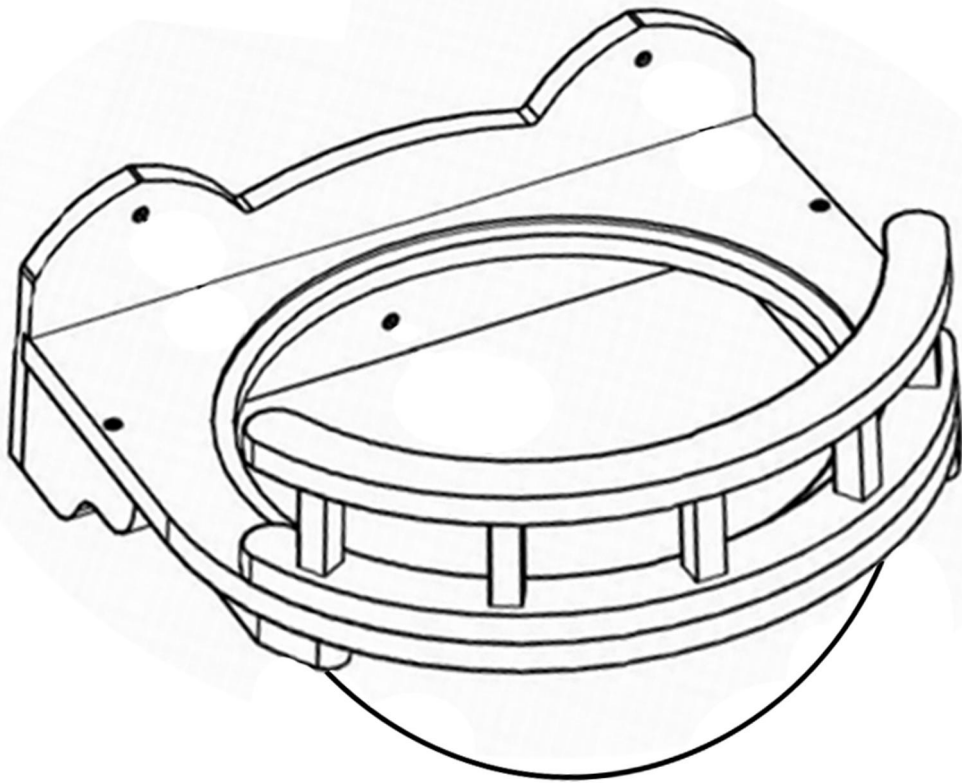
c × 6



7



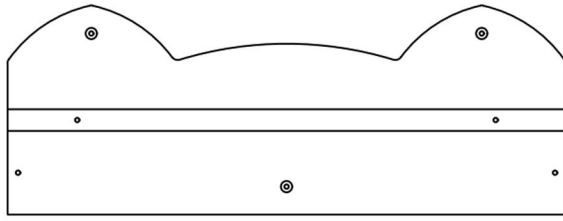
Cat Space Capsule Instructions



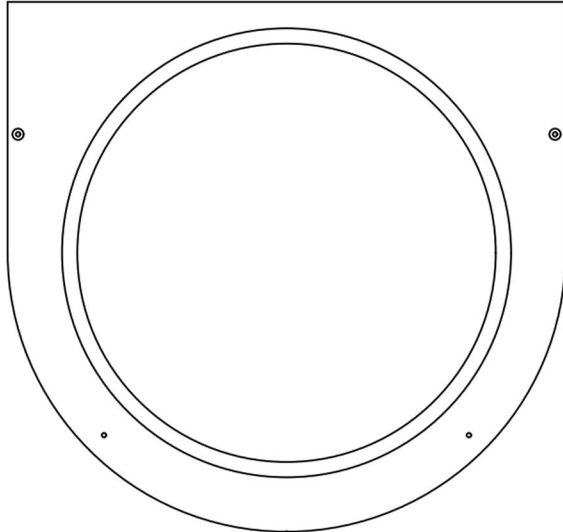
CM09



PETOMG[®]
Pet Home Decor



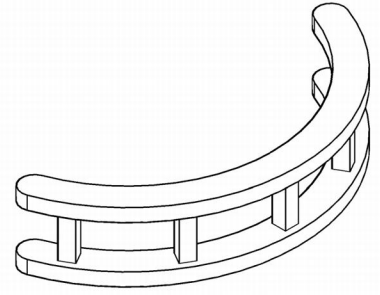
A x 1



B x 1



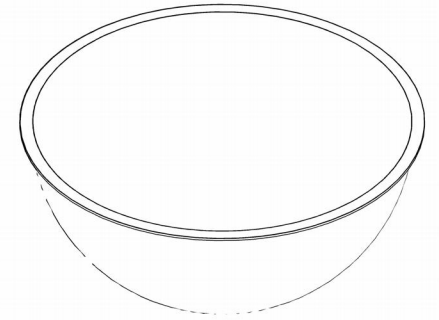
C x 2



D x 1



E x 1



For drywall
x5



Solid wall
x5



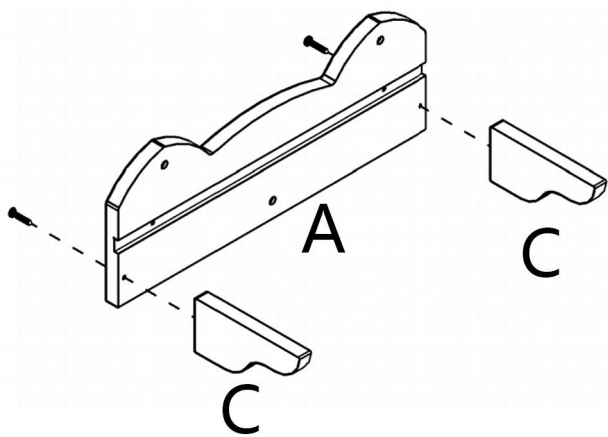
a x 5



b x 8

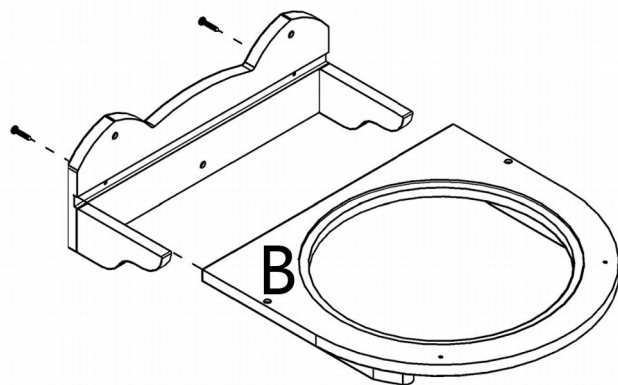
1

b × 2



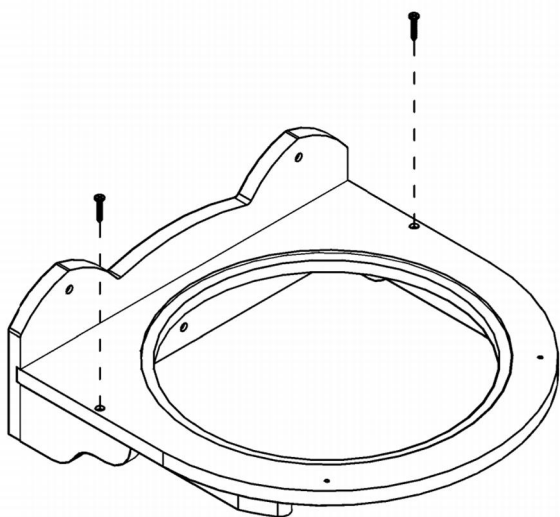
2

b × 2



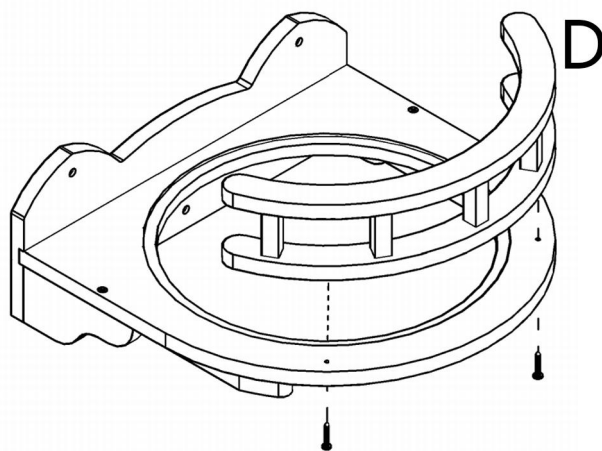
3

b × 2



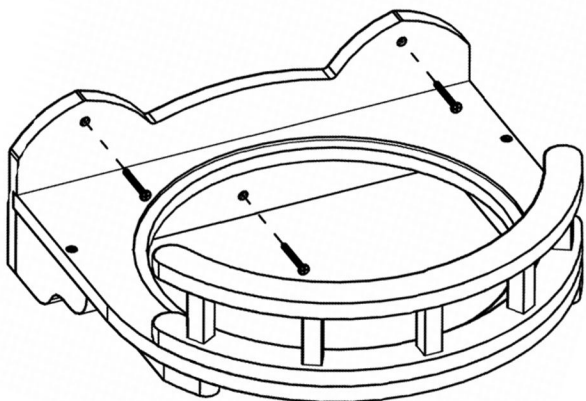
4

b × 2



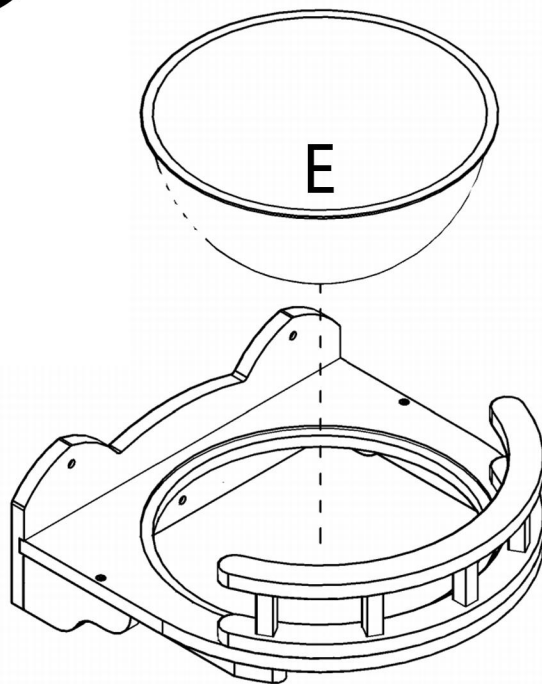
5

a x 3



6

E



7

