



PETOMG[®]
Pet Home Decor

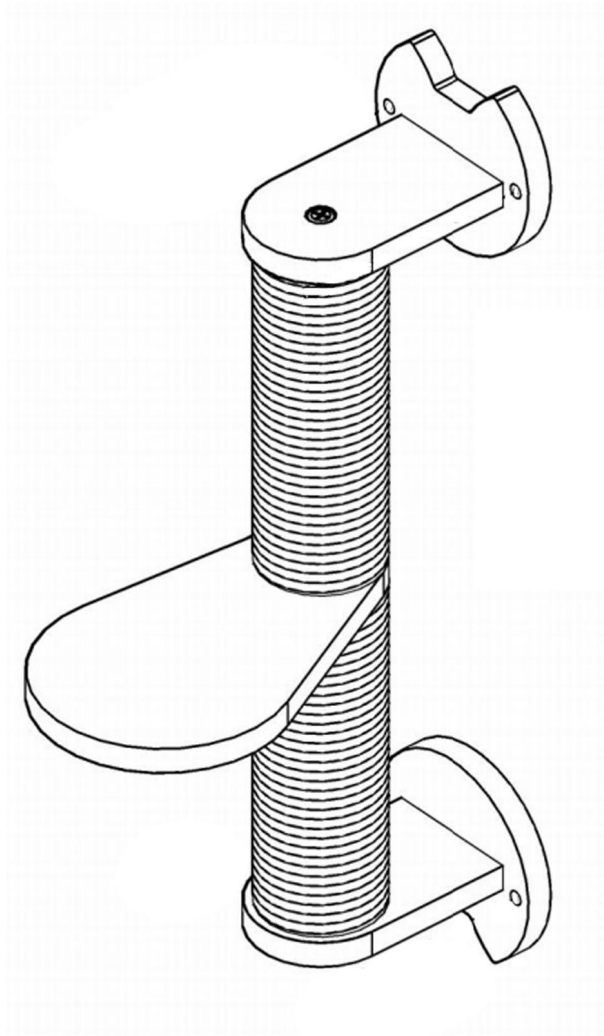
Cat Wall Furniture Instructions

NC009

Table of contents

CM20.....	1
CM12.....	4
CM09.....	8
CM28.....	12

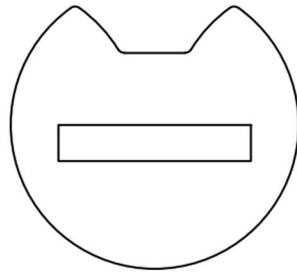
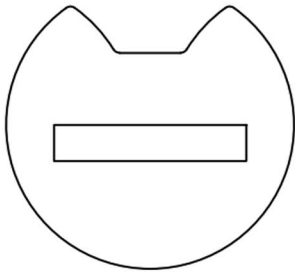
Cat Wall Stepper Instructions



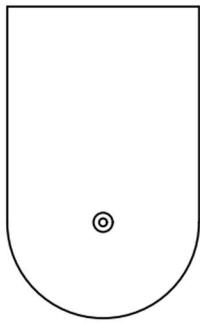
CM20



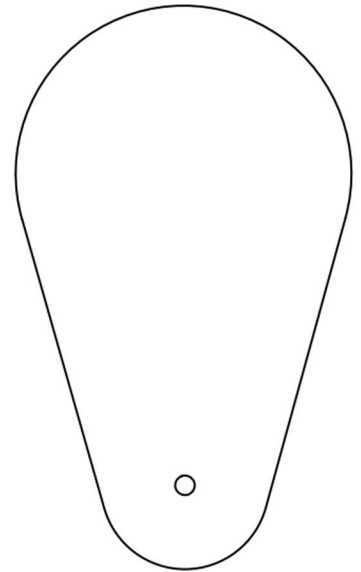
PETOMG[®]
Pet Home Decor



A × 2



B × 2



C × 1



For drywall
× 6



Solid wall
× 6



a × 6



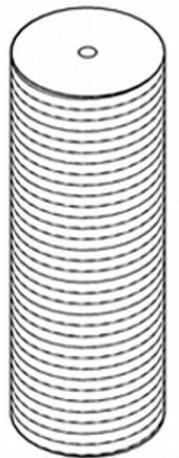
c × 4



b × 2

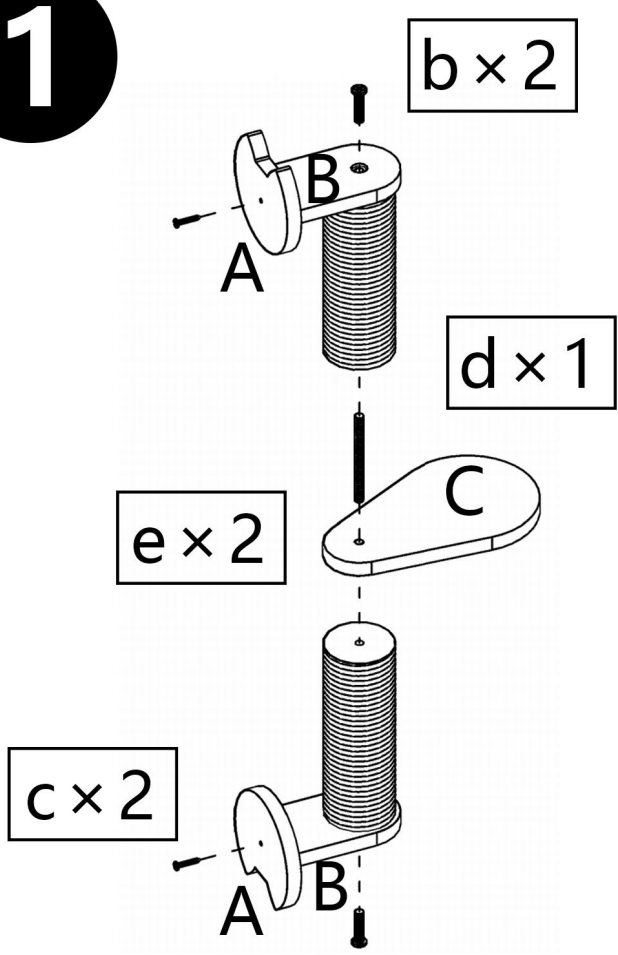


d × 1

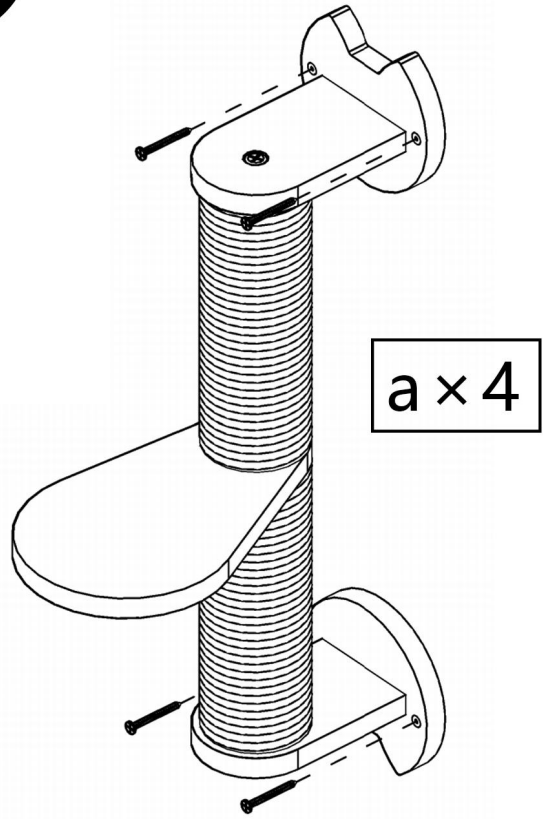


e × 2

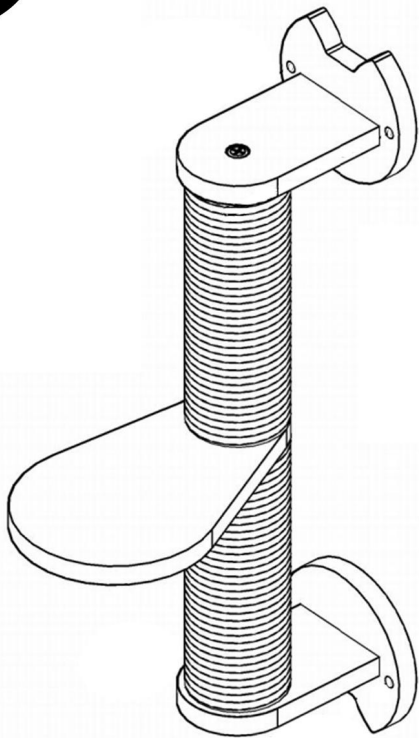
1



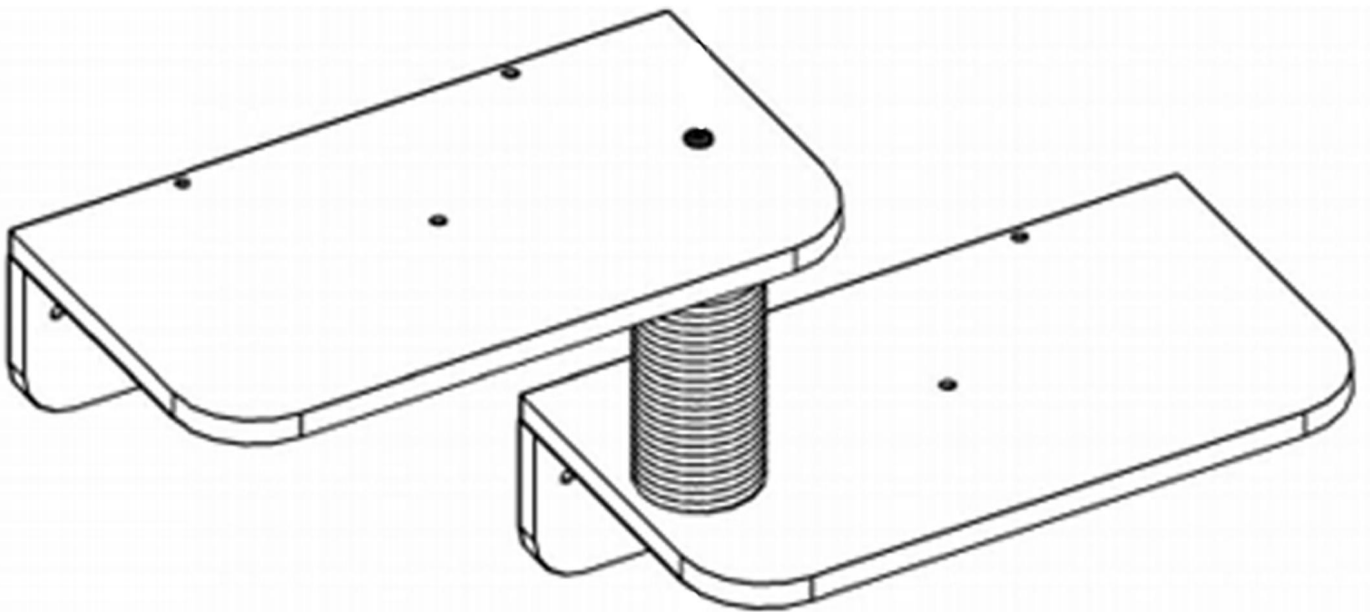
2



3



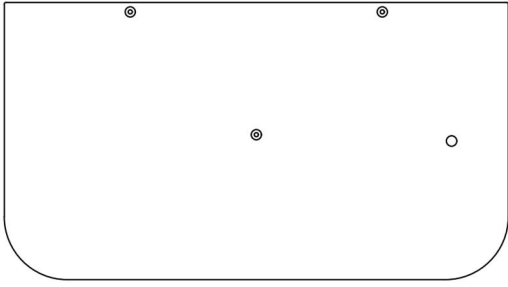
Medium Cat Wall Stepper Instructions



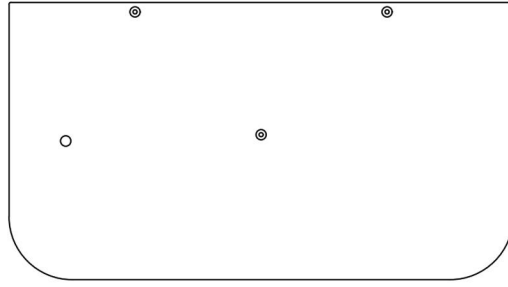
CM12



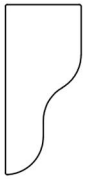
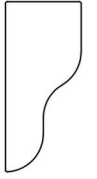
PETOMG[®]
Pet Home Decor



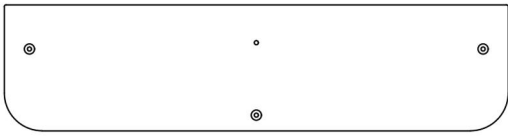
A × 1



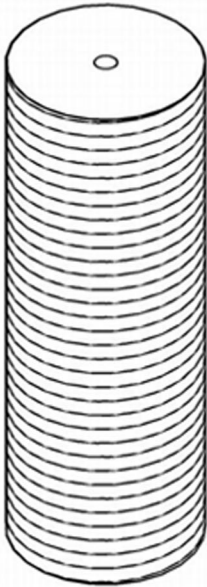
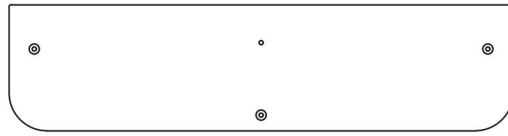
B × 1



D × 2



C × 2



a × 1



For drywall
× 8



b × 8



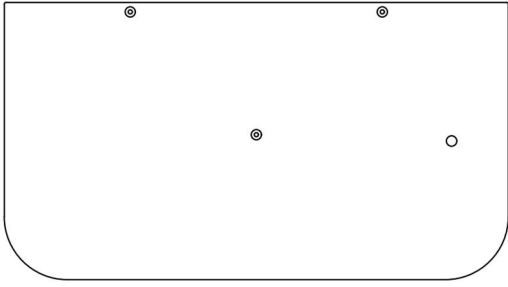
Solid wall
× 8



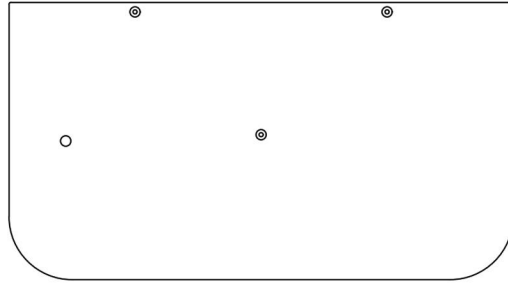
c × 2



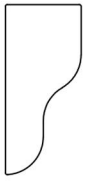
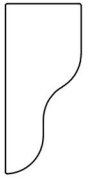
d × 10



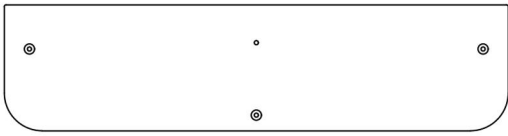
A x 1



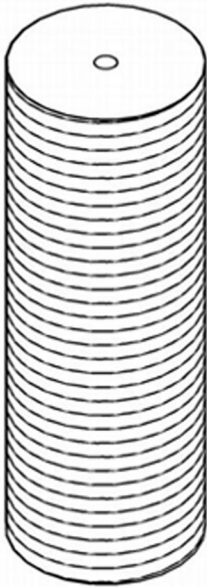
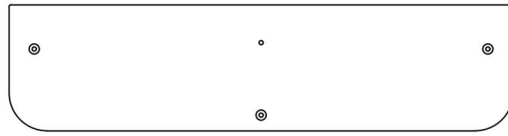
B x 1



D x 2



C x 2



a x 1



For drywall
x 8



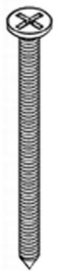
b x 16



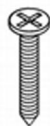
Solid wall
x 8



c x 2



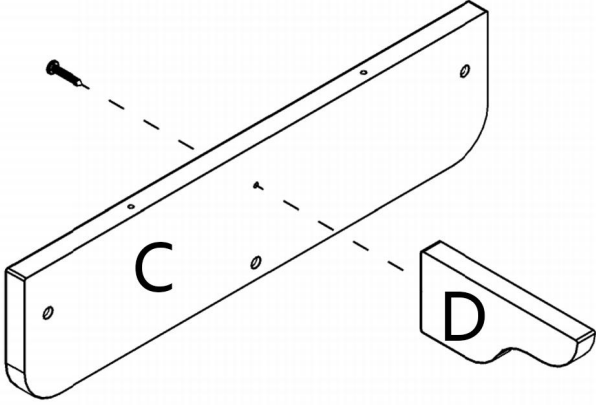
x 8



d x 10

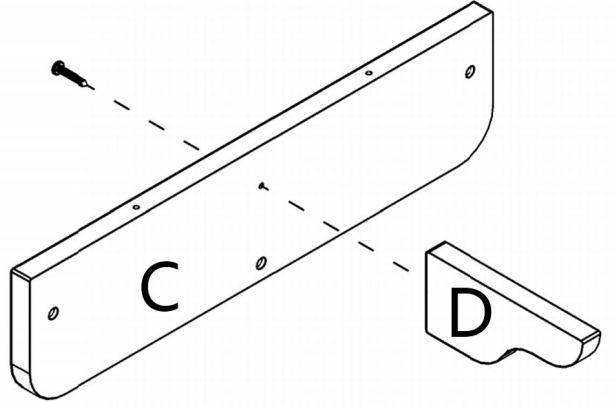
1

a x 1



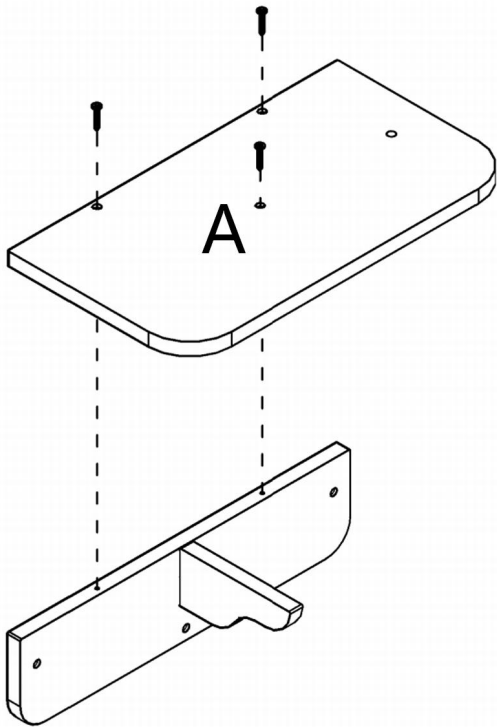
2

a x 1



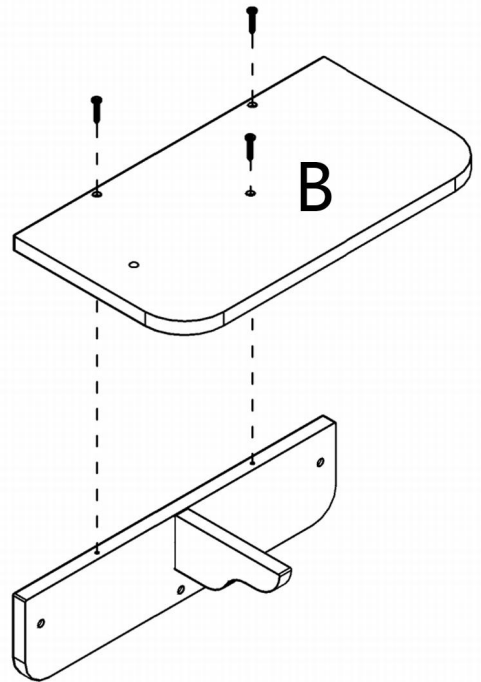
3

a x 3



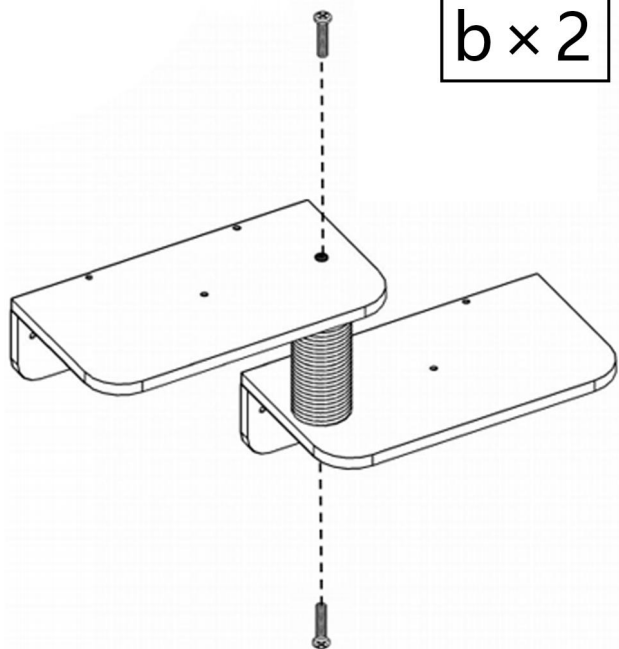
4

a x 3



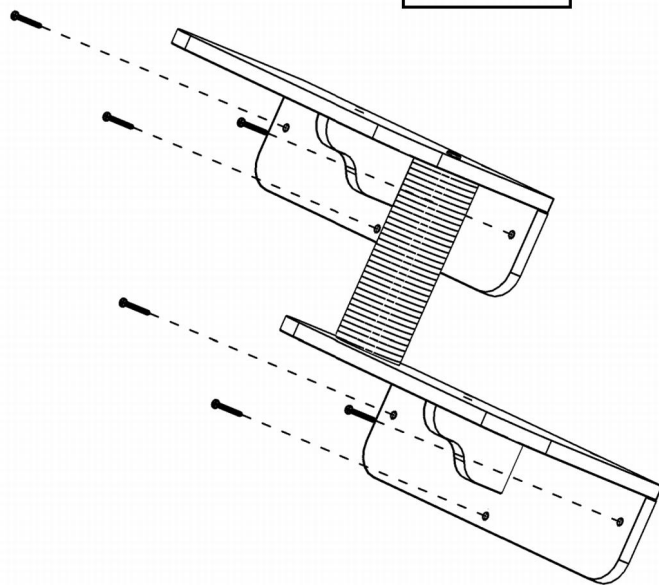
5

b × 2

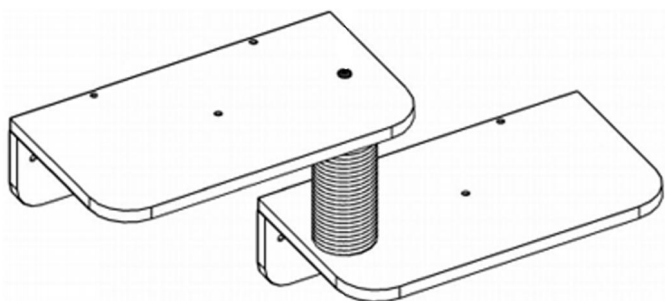


6

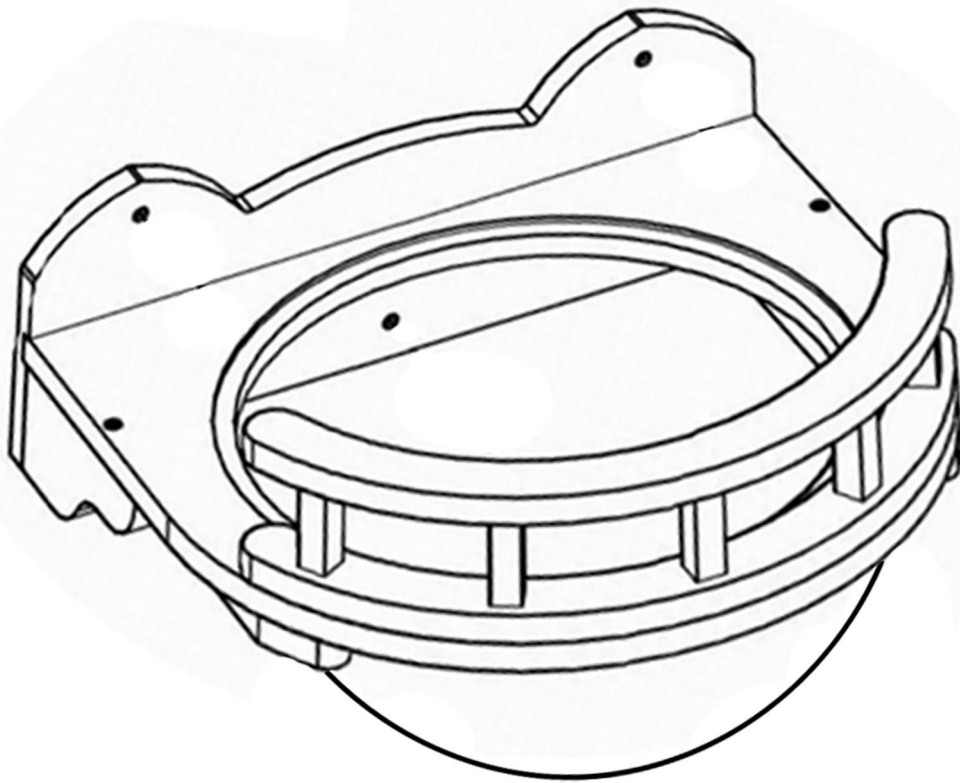
c × 6



7



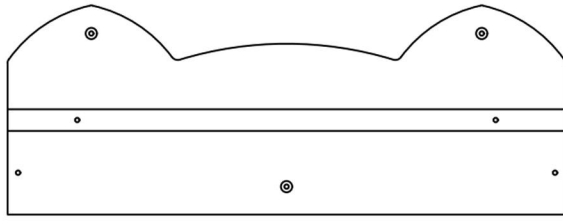
Cat Space Capsule Instructions



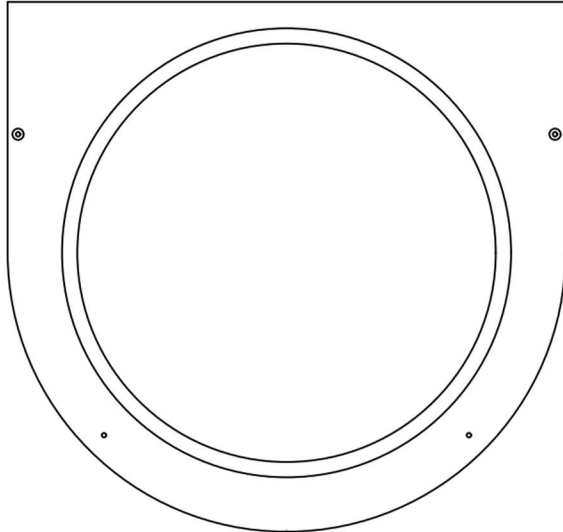
CM09



PETOMG[®]
Pet Home Decor



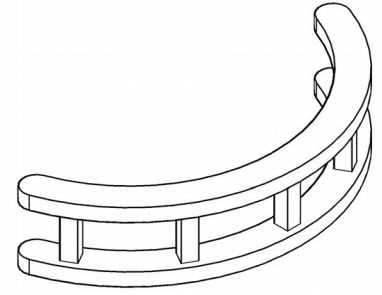
A x 1



B x 1



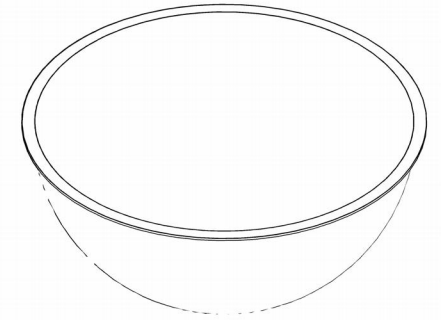
C x 2



D x 1



E x 1



For drywall
x5



Solid wall
x5



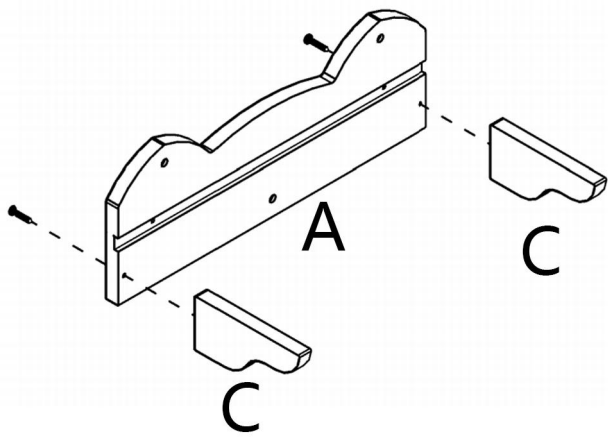
a x 5



b x 8

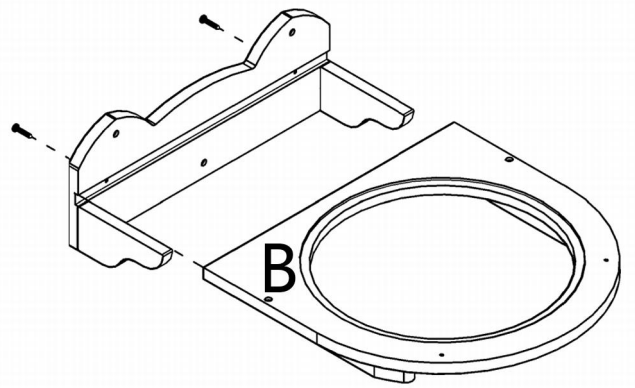
1

b × 2



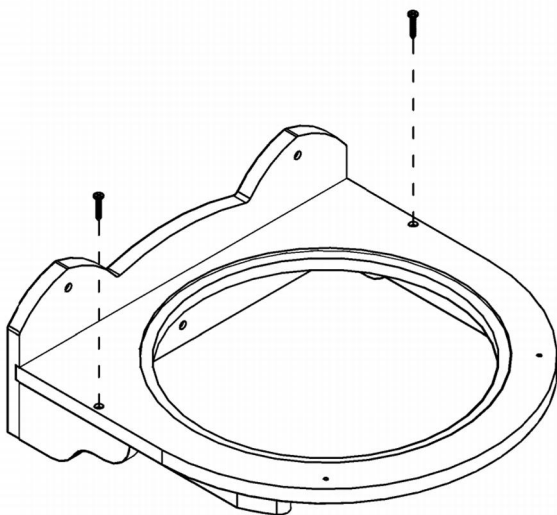
2

b × 2



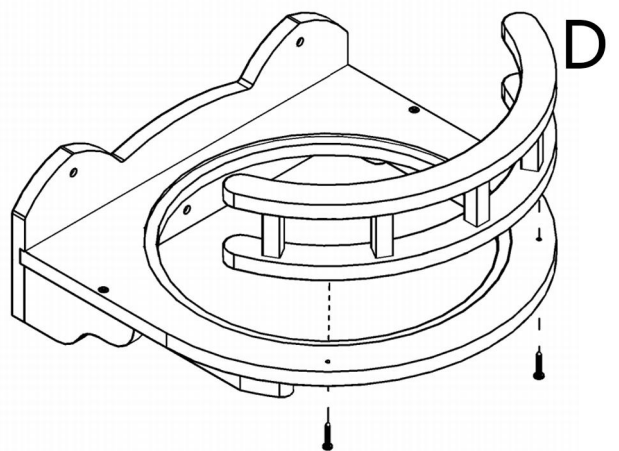
3

b × 2



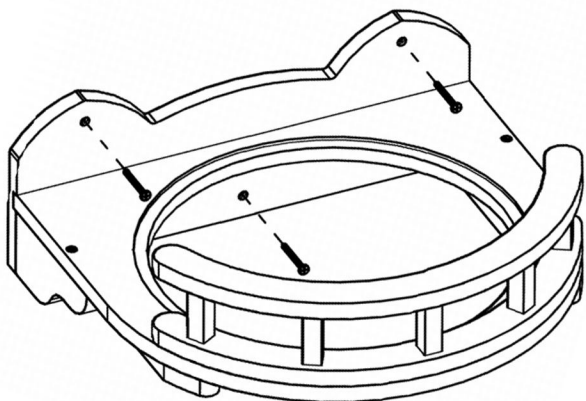
4

b × 2



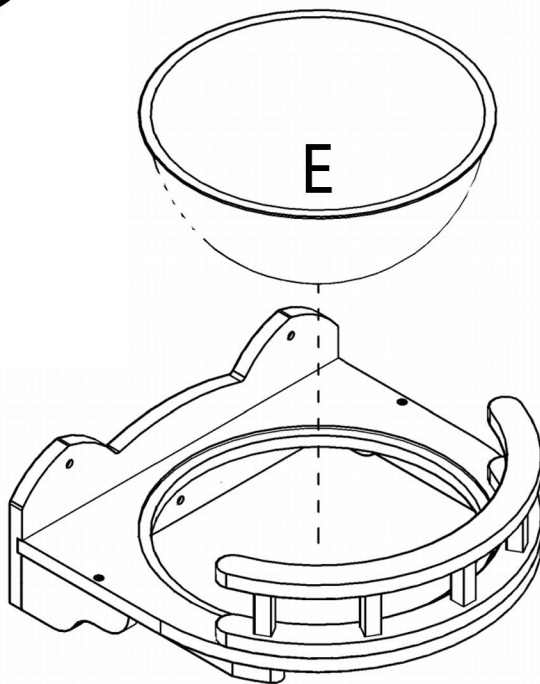
5

a x 3

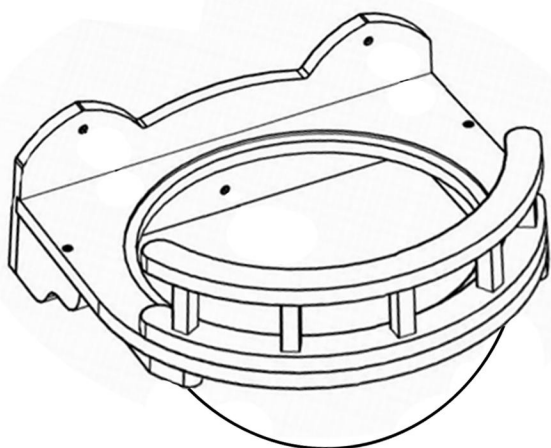


6

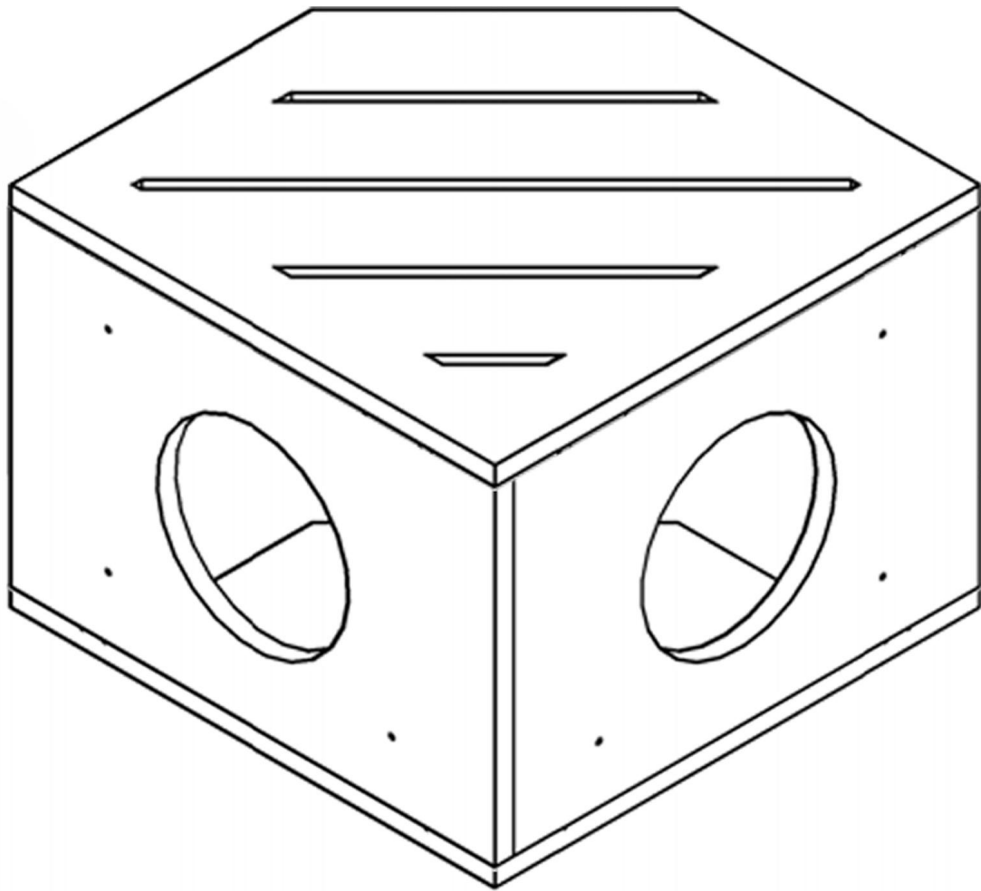
E



7



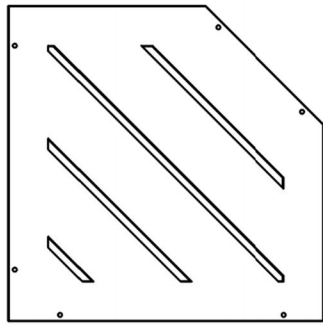
Large Cat Perch Instructions



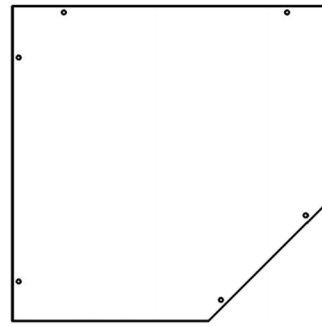
CM28



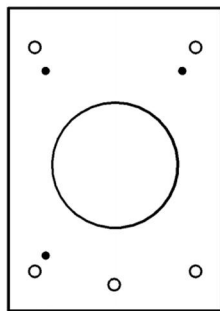
PETOMG[®]
Pet Home Decor



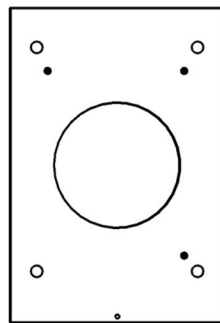
A × 1



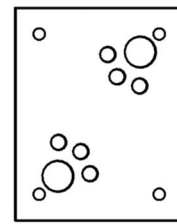
B × 1



C × 1



D × 1



E × 1



For drywall
× 10



Solid wall
× 10



a × 18



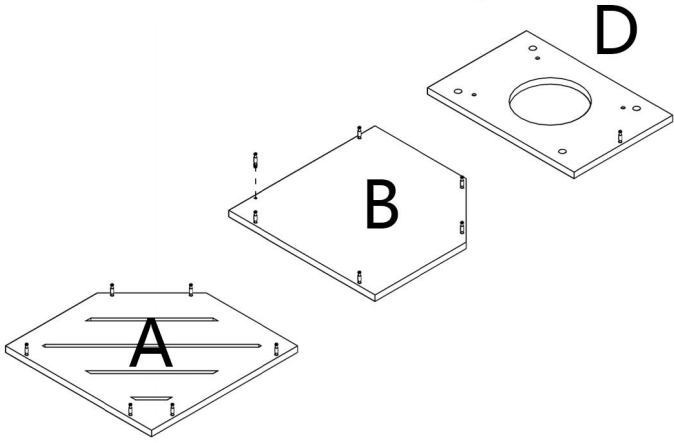
b × 18



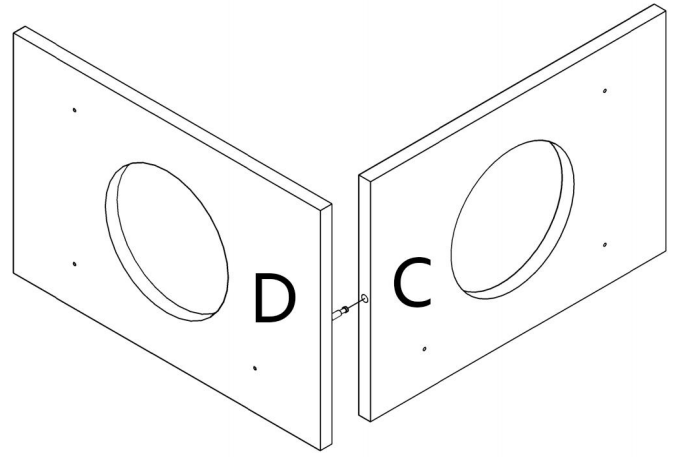
c × 20

1

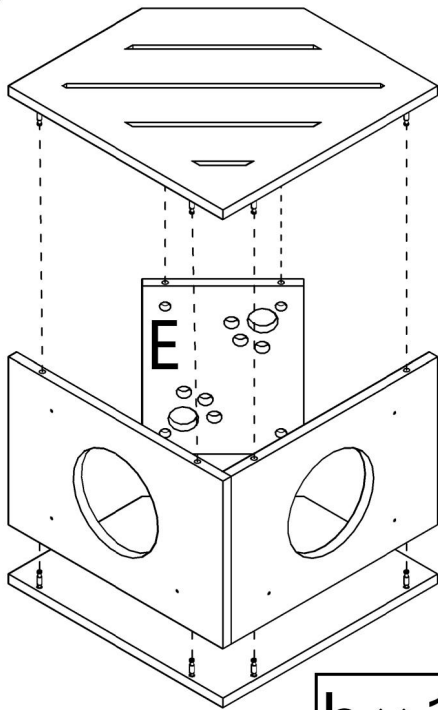
a × 13



2



3



b × 13

4

