



PETOMG[®]
Pet Home Decor

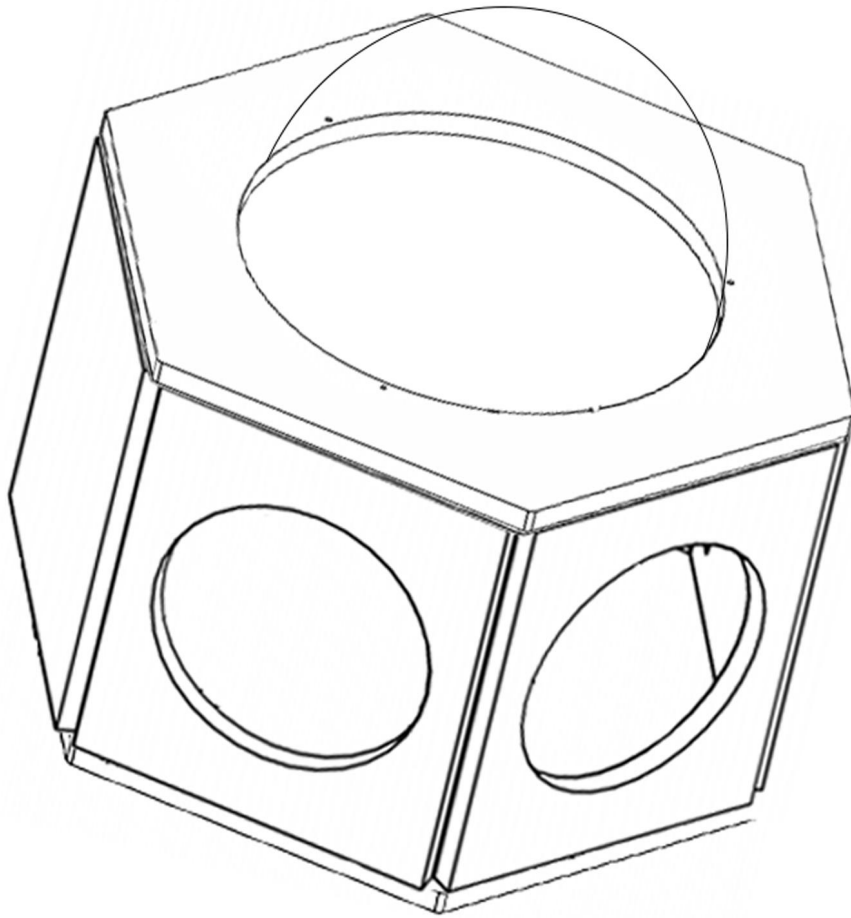
Cat Wall Furniture Instructions

NC003

Table of contents

CM24.....	1
CM27.....	5
CM07.....	8
CM06.....	12

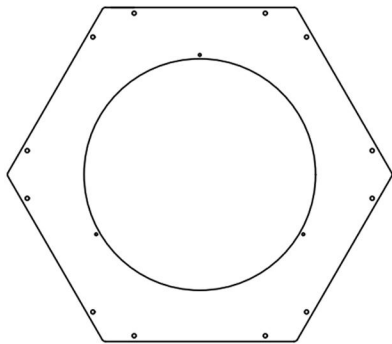
Large Cat Perch Instructions



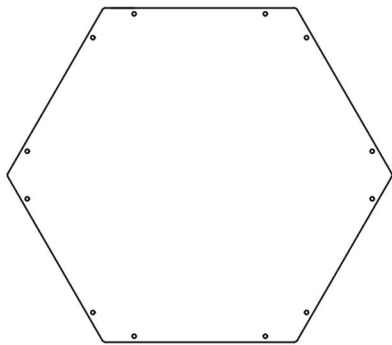
CM24



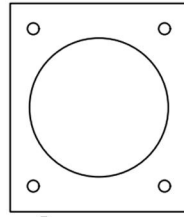
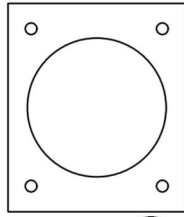
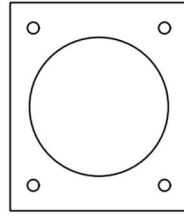
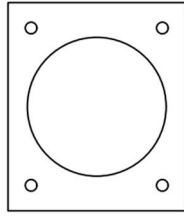
PETOMG[®]
Pet Home Decor



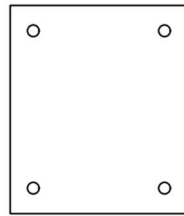
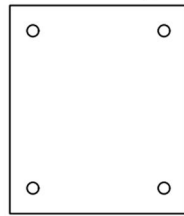
A x 1



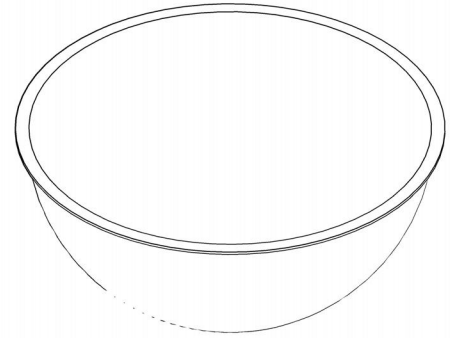
B x 1



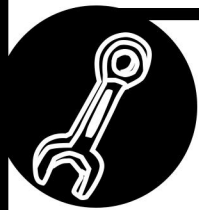
C x 4



D x 2



E x 1



For drywall
x6



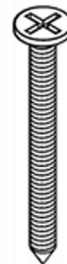
Solid wall
x6



a x 26



b x 26



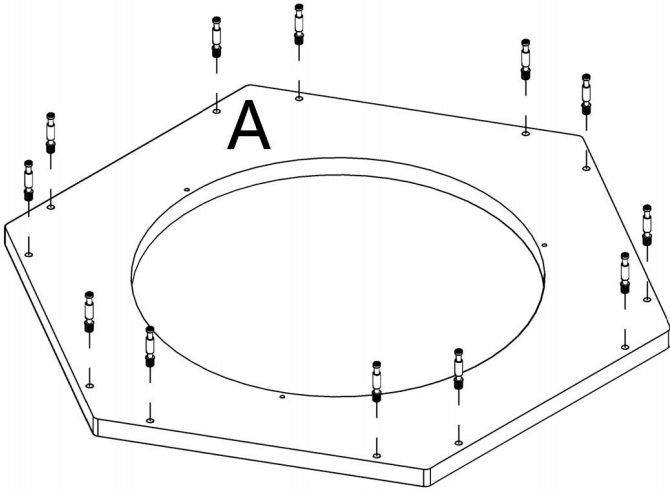
c x 6



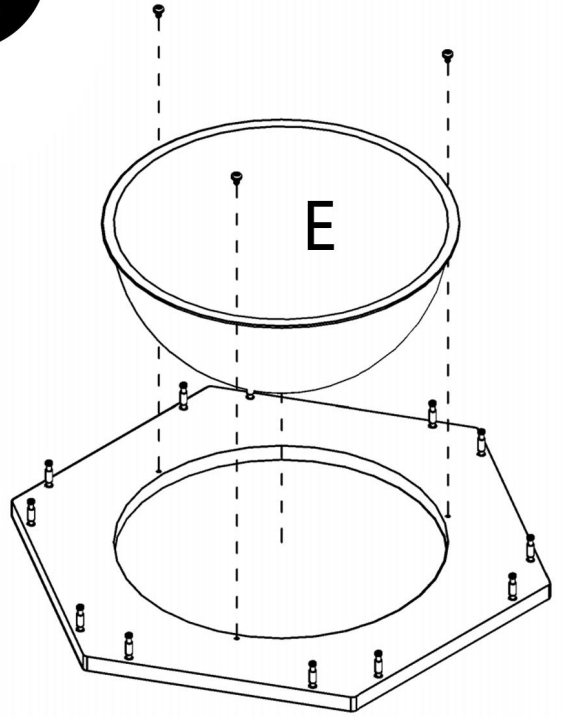
d x 4

1

$a \times 12$



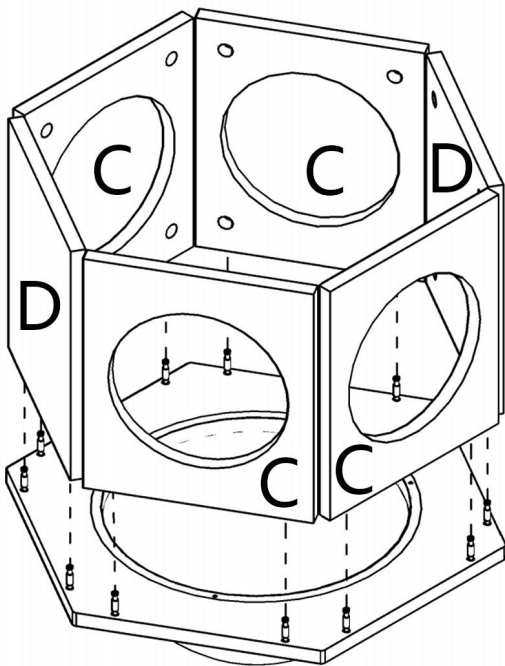
2



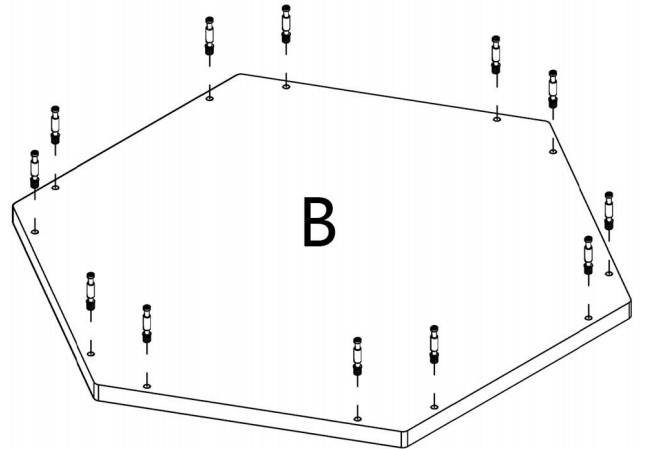
$d \times 3$

3

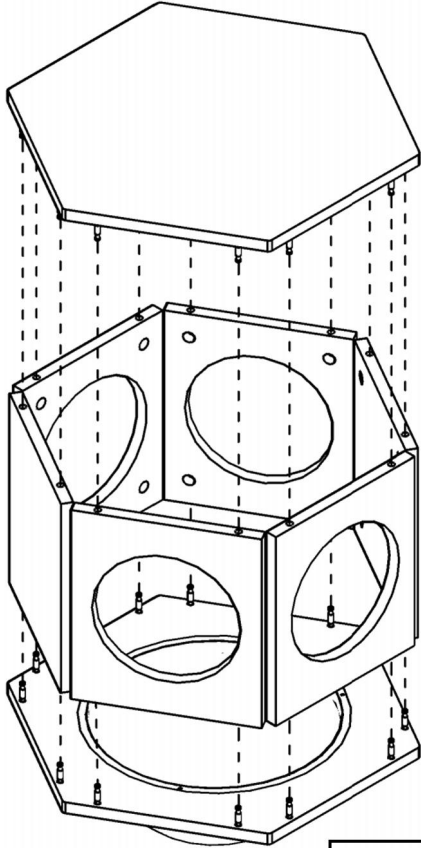
$a \times 12$



4

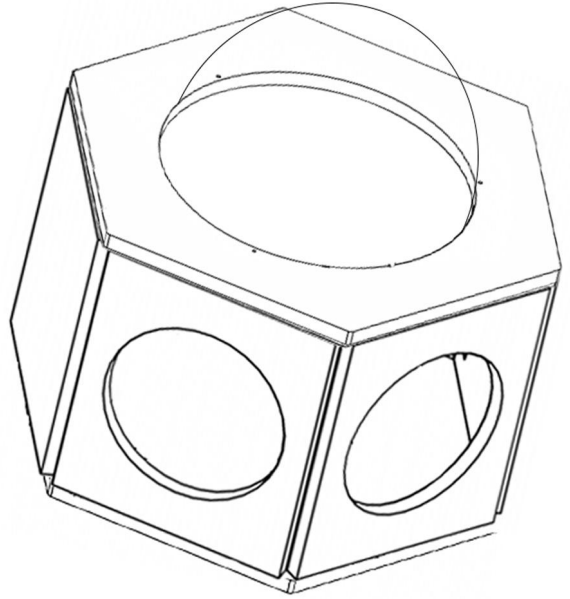


5

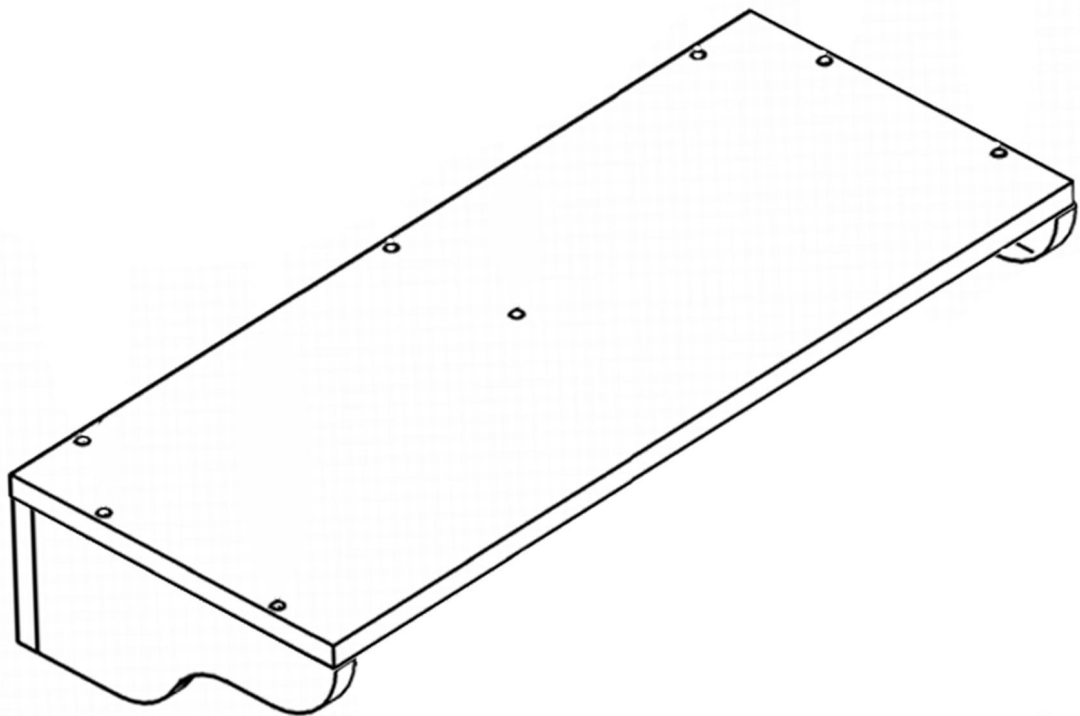


$b \times 12$

6



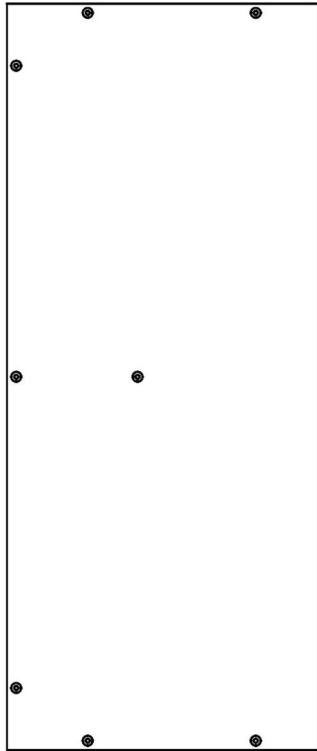
Cat Wall Perch Instructions



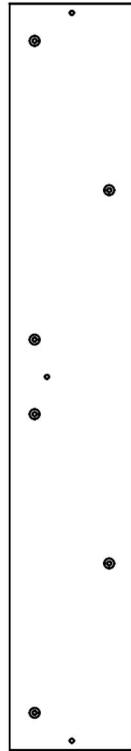
CM27



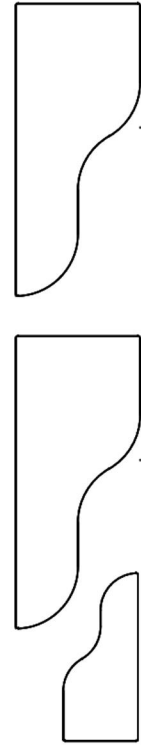
PETOMG[®]
Pet Home Decor



A × 1



B × 1



C × 2

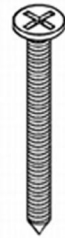
D × 1



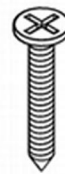
For drywall
×6



Solid wall
×6

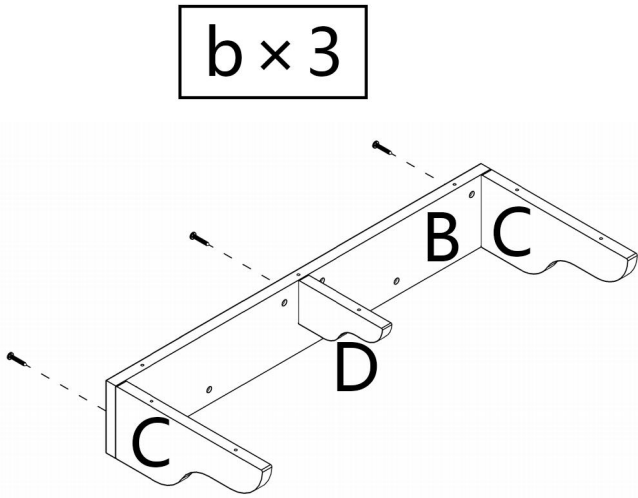


a × 6

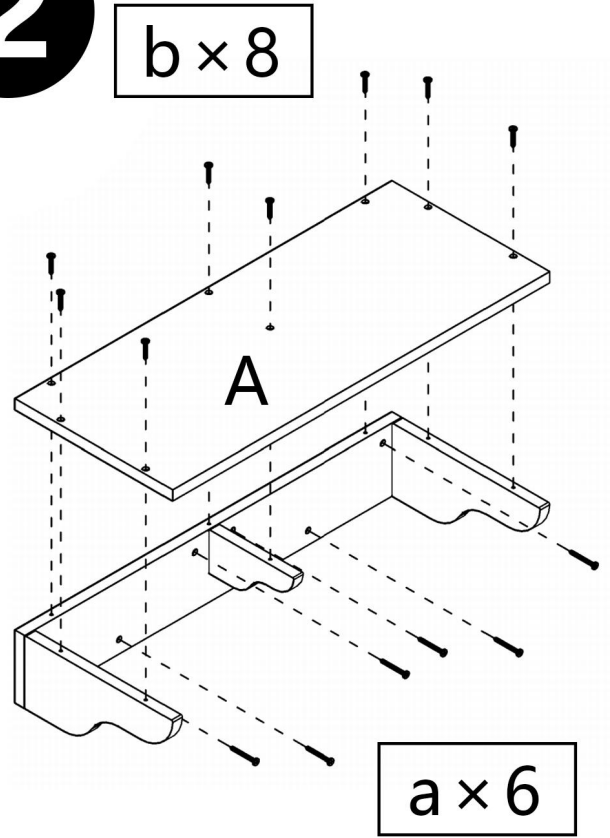


b × 13

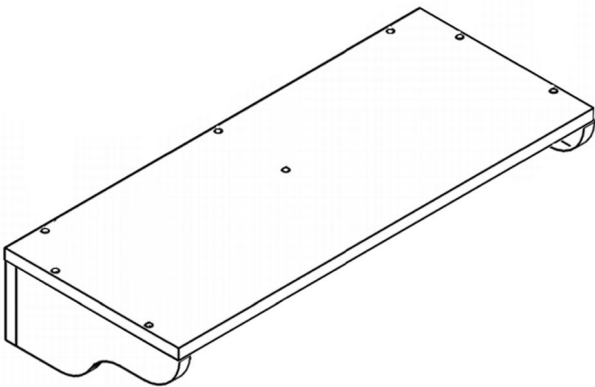
1



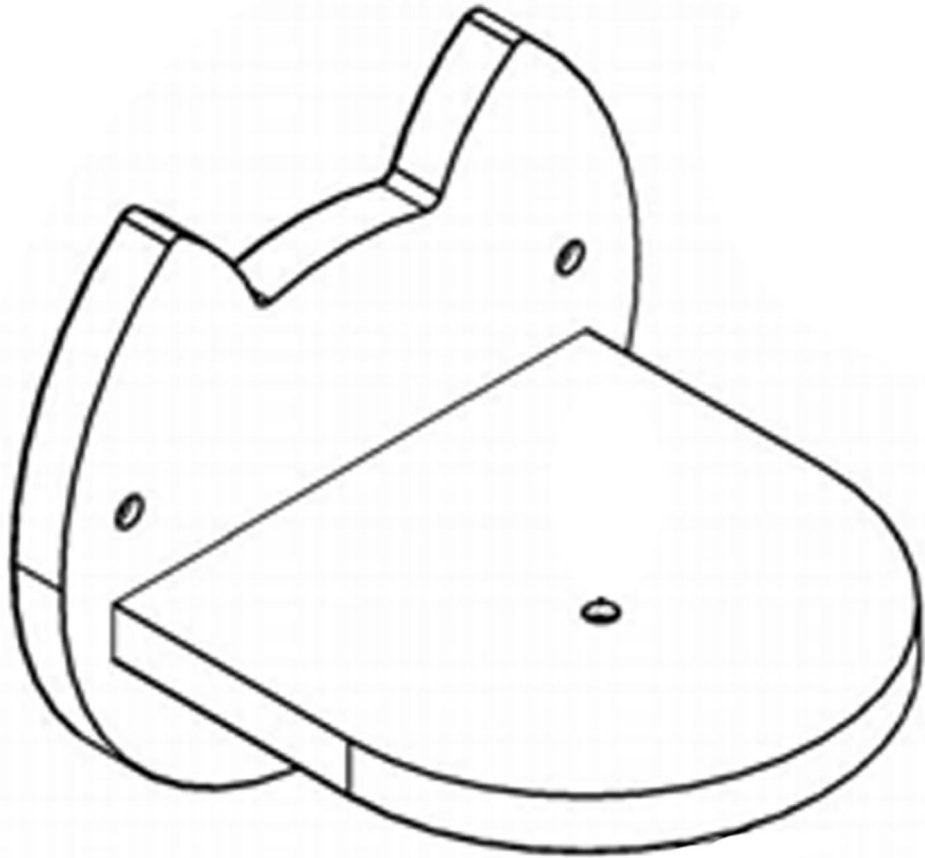
2



3



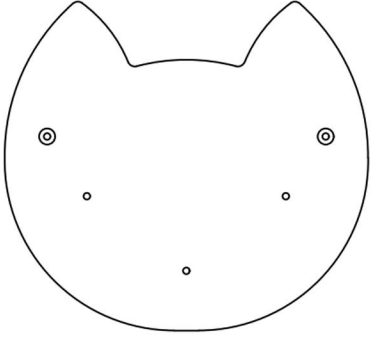
Cat Wall Stepper Instructions



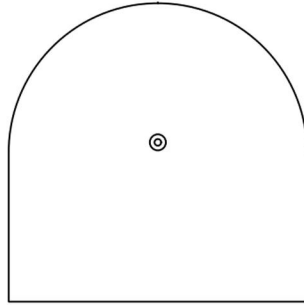
CM07



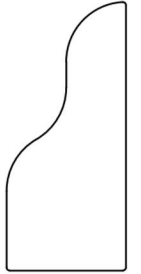
PETOMG[®]
Pet Home Decor



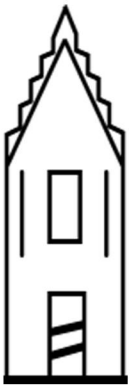
A × 1



B × 1



C × 1



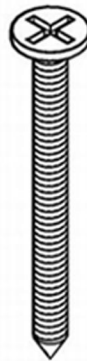
For drywall

× 6

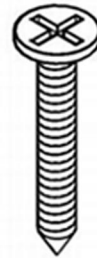


Solid wall

× 6



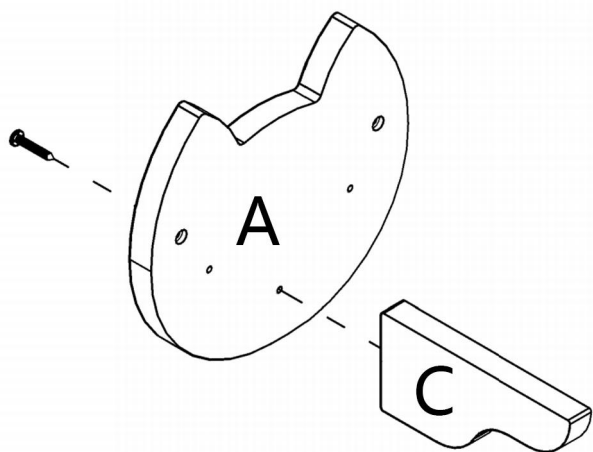
a × 6



b × 12

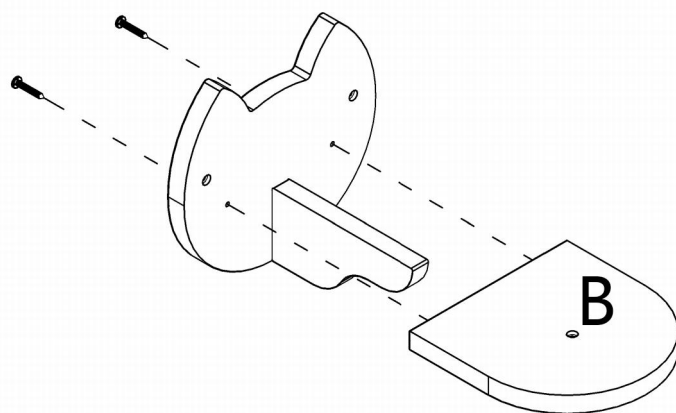
1

b × 1



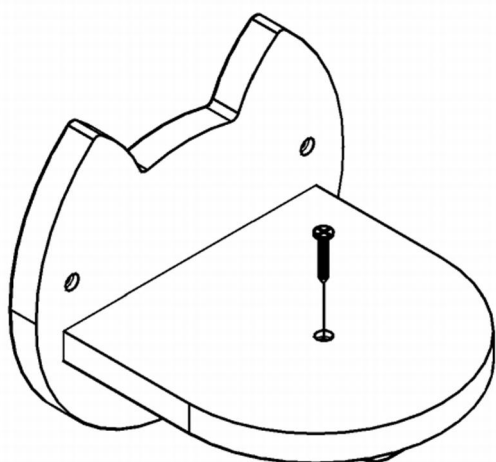
2

b × 2



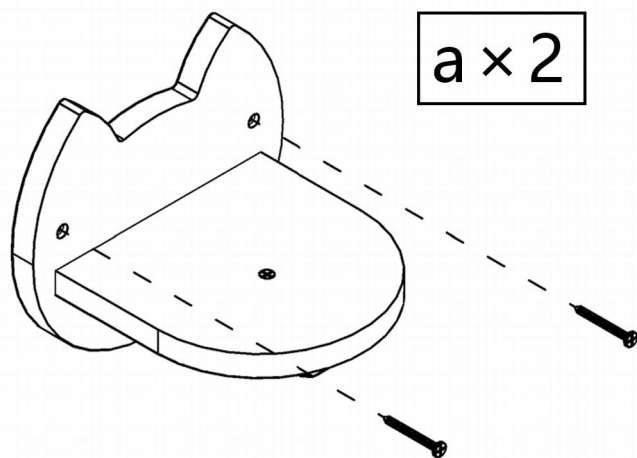
3

b × 1

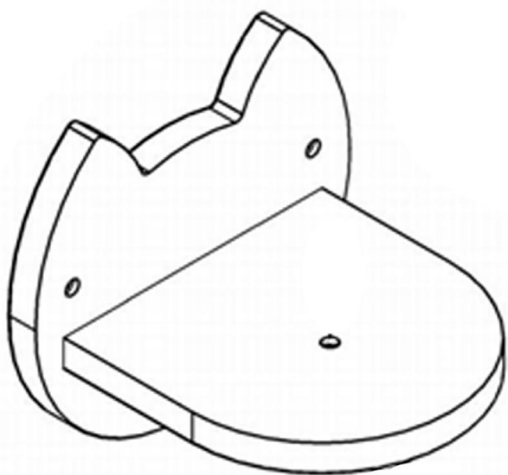


4

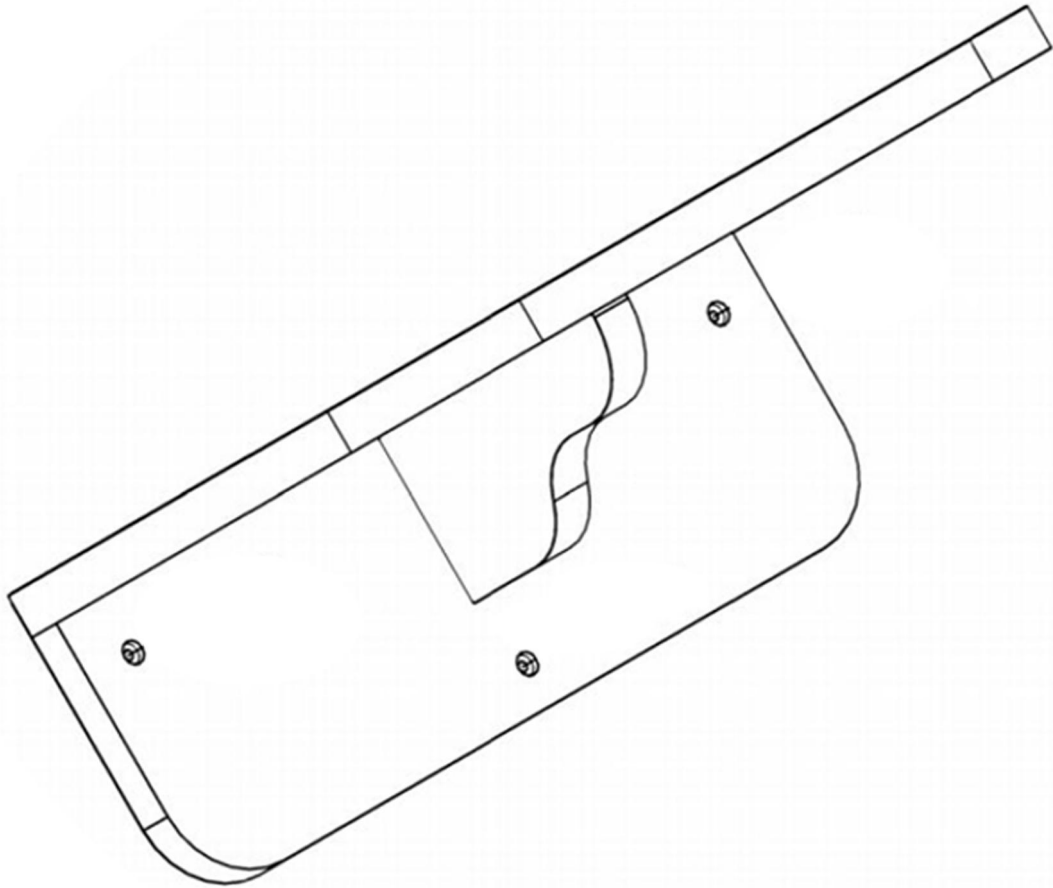
a × 2



5



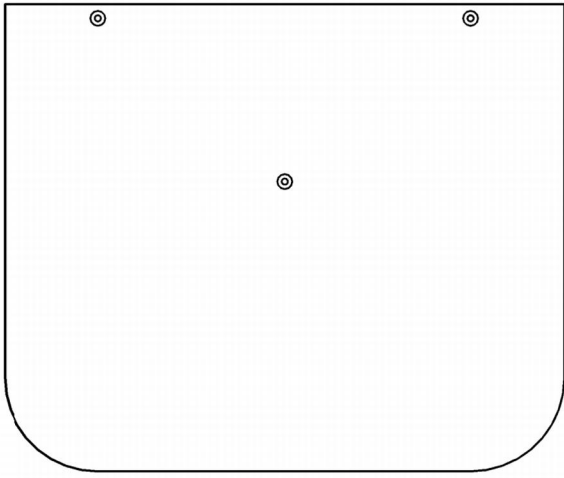
Cat Wall Stepper Instructions



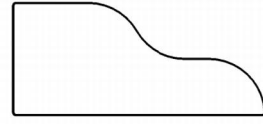
CM06



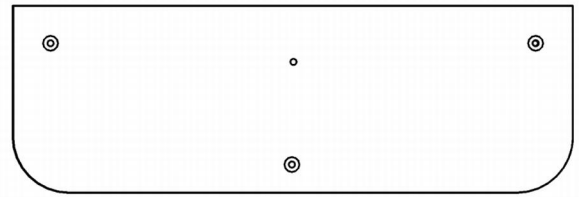
PETOMG[®]
Pet Home Decor



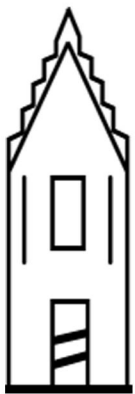
A x 1



C x 1



B x 1



For drywall

x4



Solid wall

x4



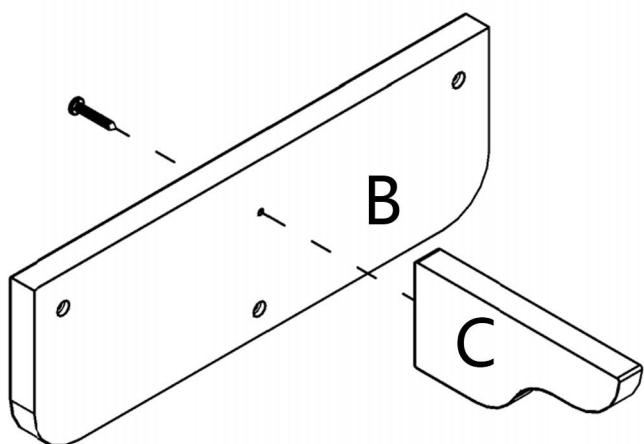
a x 4



b x 6

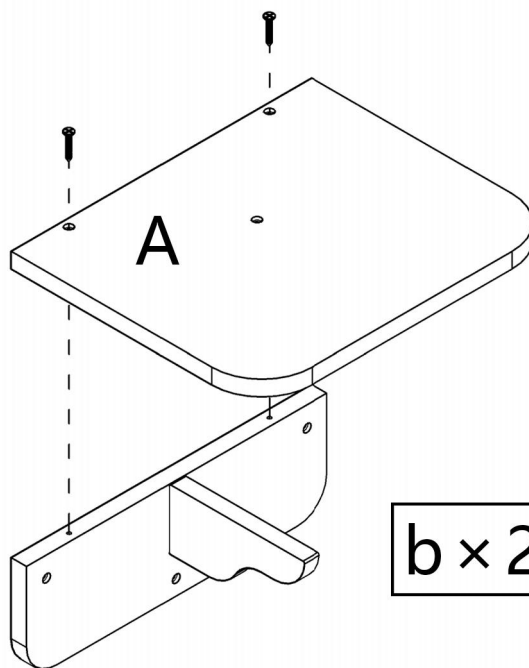
1

$b \times 1$



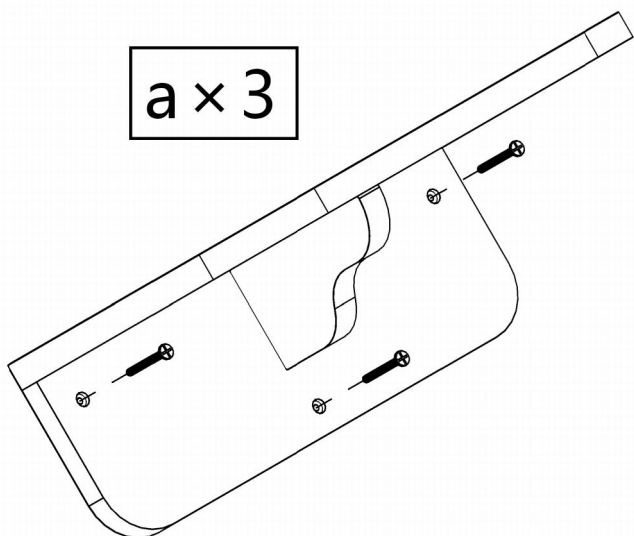
2

$b \times 2$



3

$a \times 3$



4

