



# Cat Wall Furniture Instructions

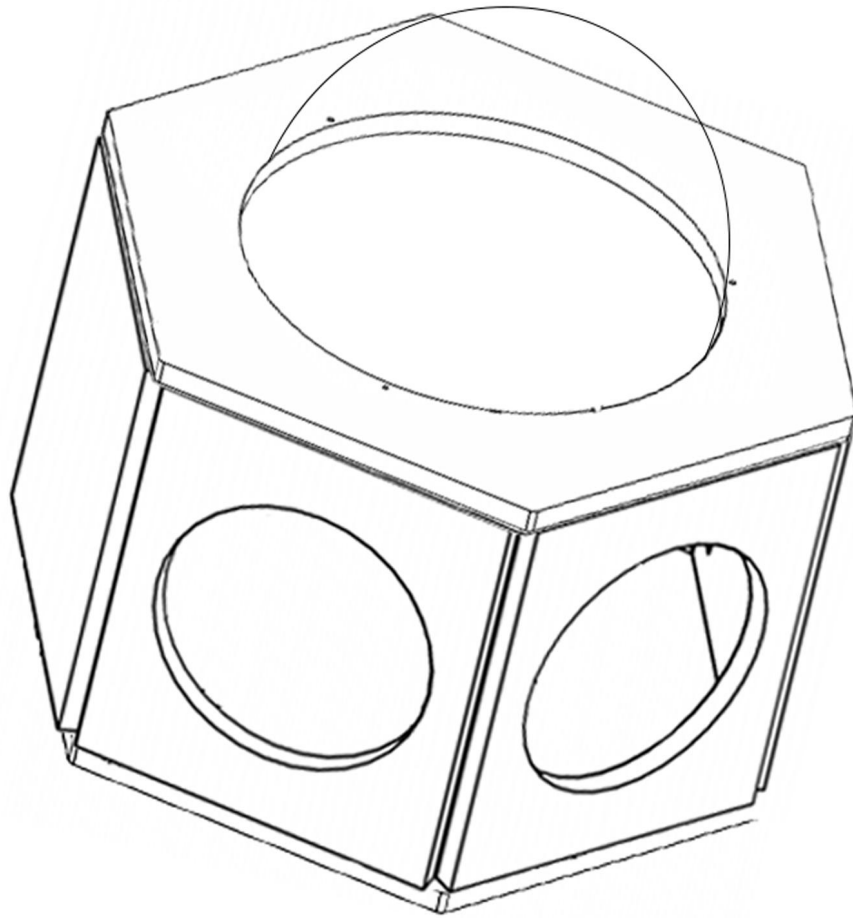
## NC002

### Table of contents

---

|                  |           |
|------------------|-----------|
| <b>CM24.....</b> | <b>1</b>  |
| <b>CM23.....</b> | <b>5</b>  |
| <b>CM07.....</b> | <b>9</b>  |
| <b>CM09.....</b> | <b>13</b> |

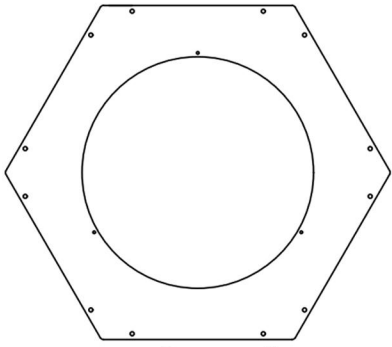
# Large Cat Perch Instructions



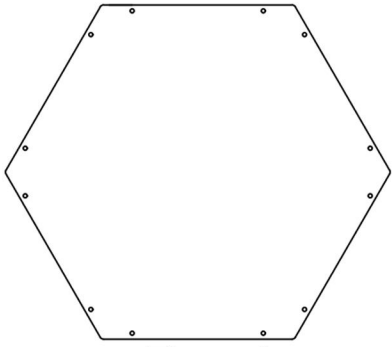
# CM24



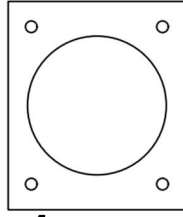
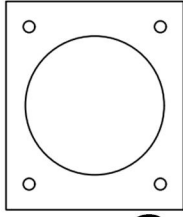
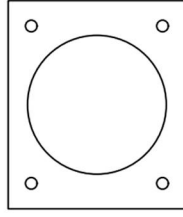
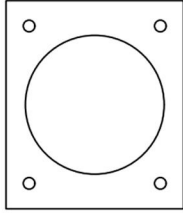
**PETOMG**<sup>®</sup>  
Pet Home Decor



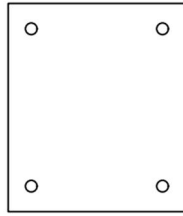
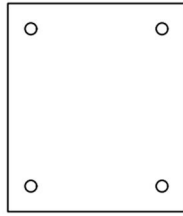
A × 1



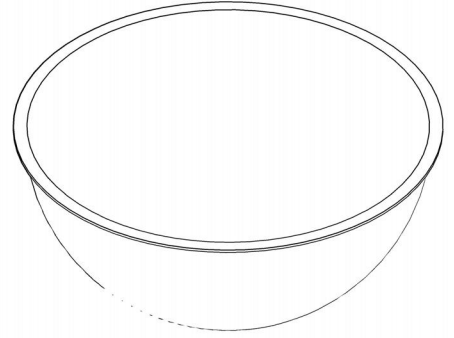
B × 1



C × 4



D × 2



E × 1



For drywall  
× 6



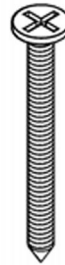
Solid wall  
× 6



a × 26



b × 26



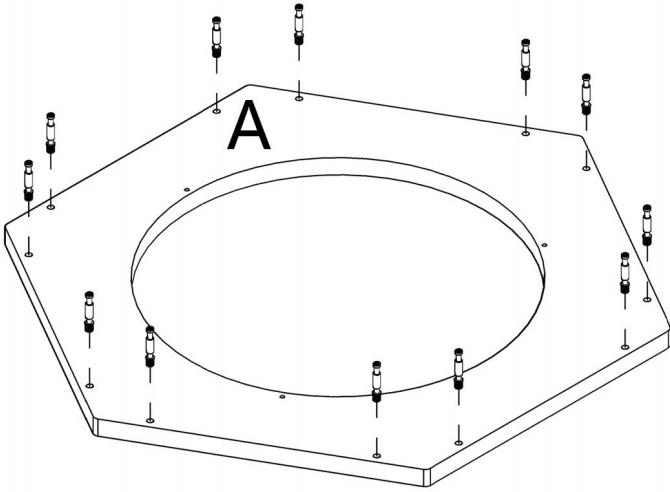
c × 6



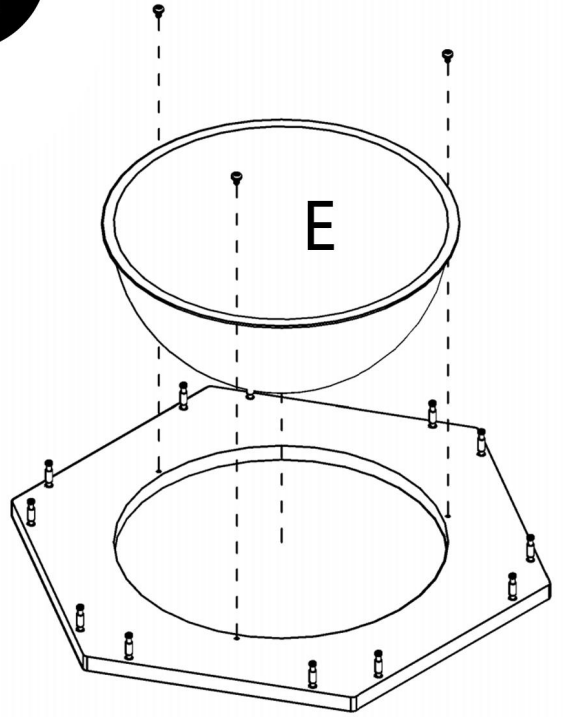
d × 4

1

$a \times 12$



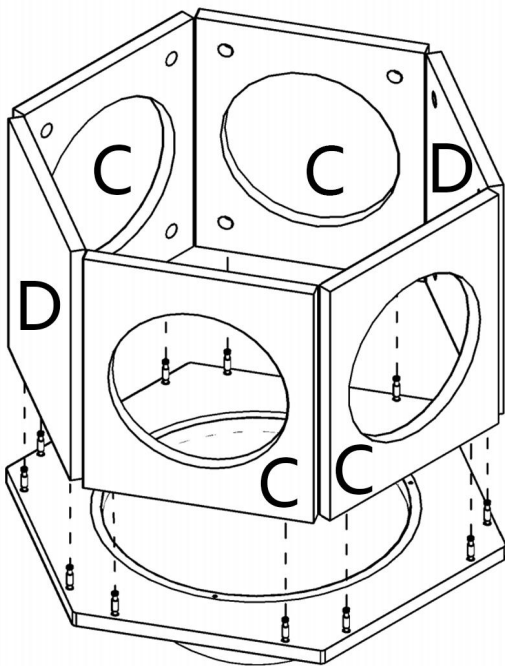
2



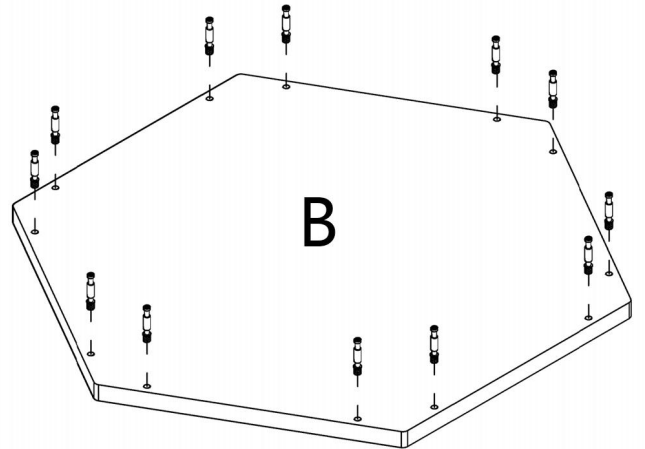
$d \times 3$

3

$a \times 12$

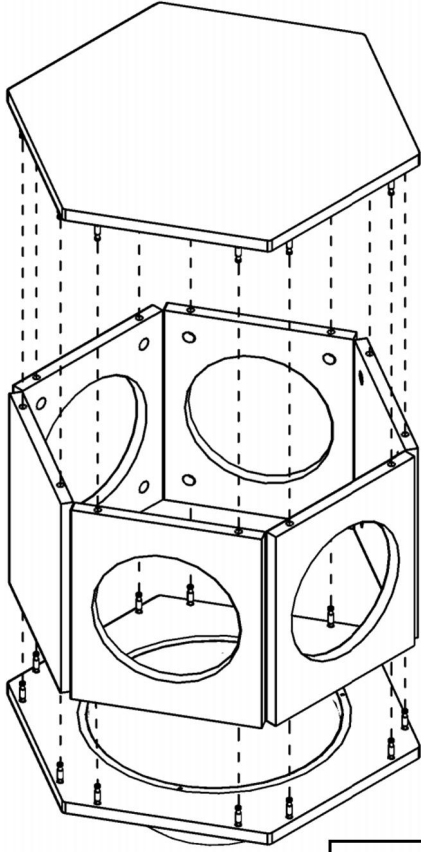


4



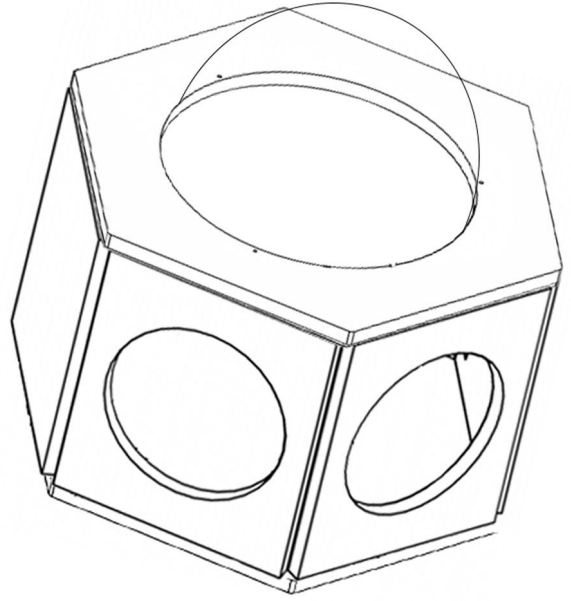


5

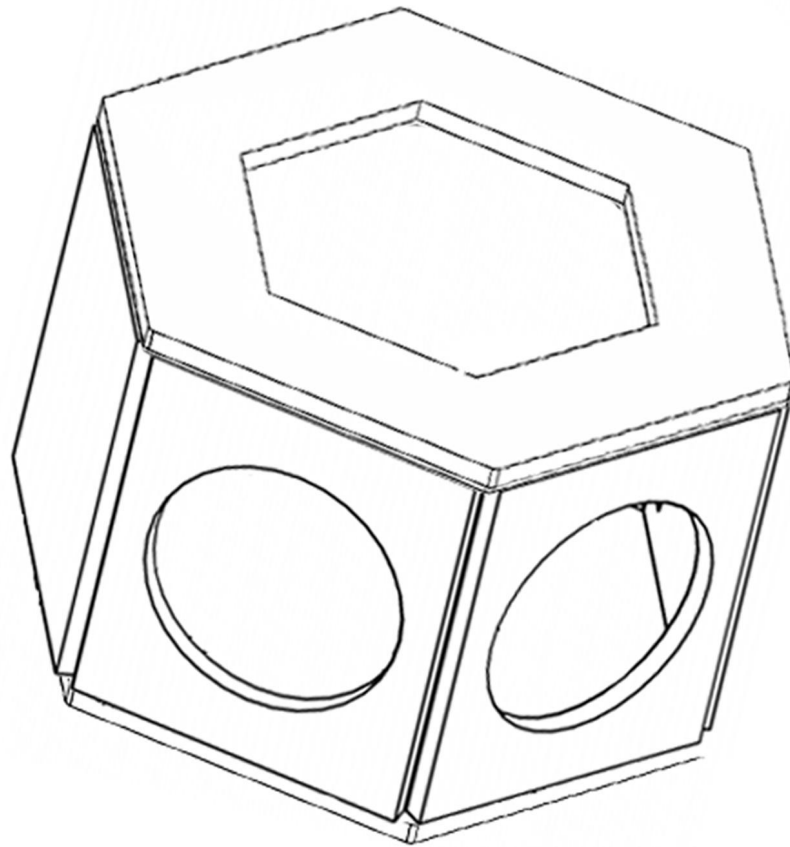


$b \times 12$

6



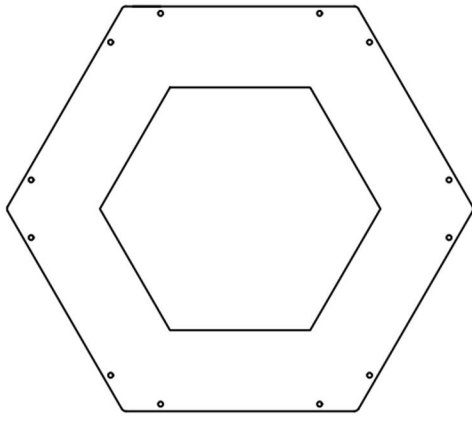
# Large Cat Perch Instructions



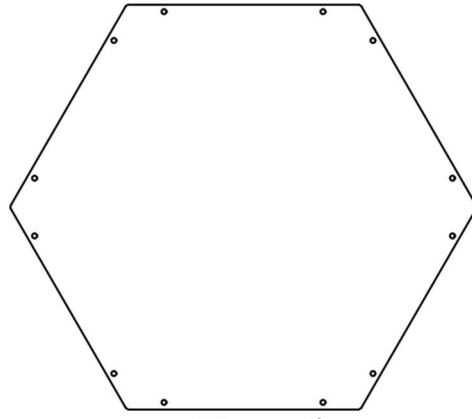
## CM23



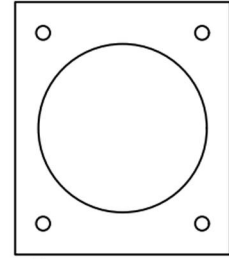
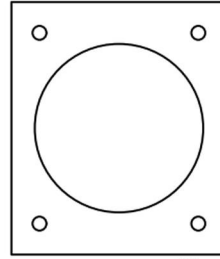
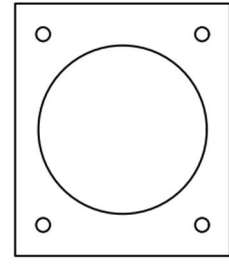
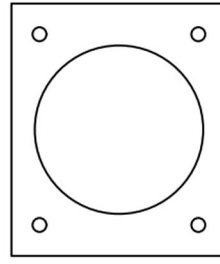
**PETOMG**<sup>®</sup>  
Pet Home Decor



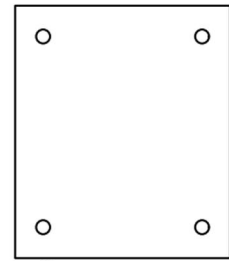
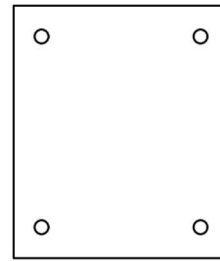
A x 1



B x 1



C x 4



D x 2



For drywall  
x6



Solid wall  
x6



c x 6



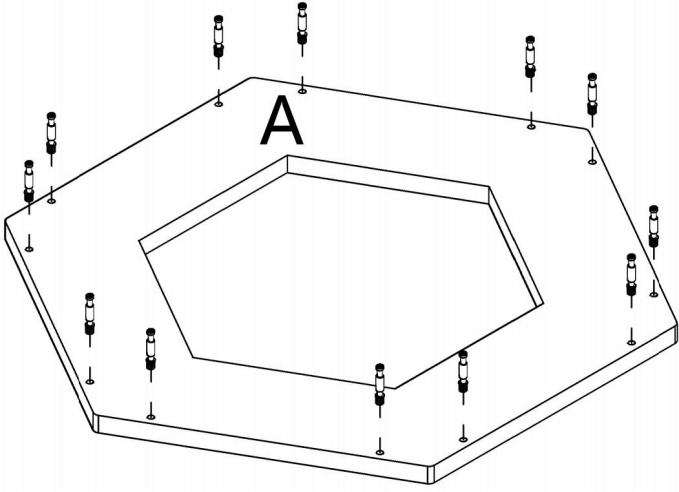
a x 26



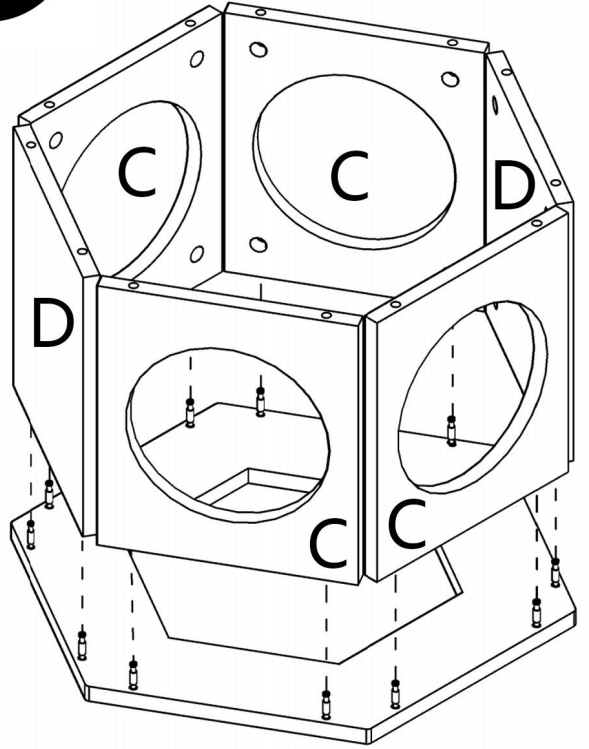
b x 26

1

$a \times 12$



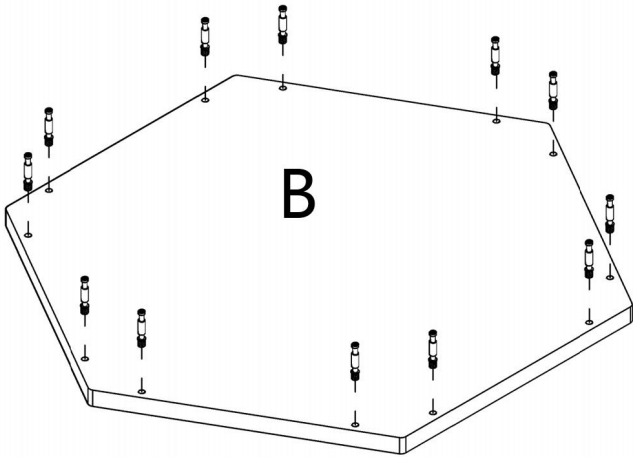
2



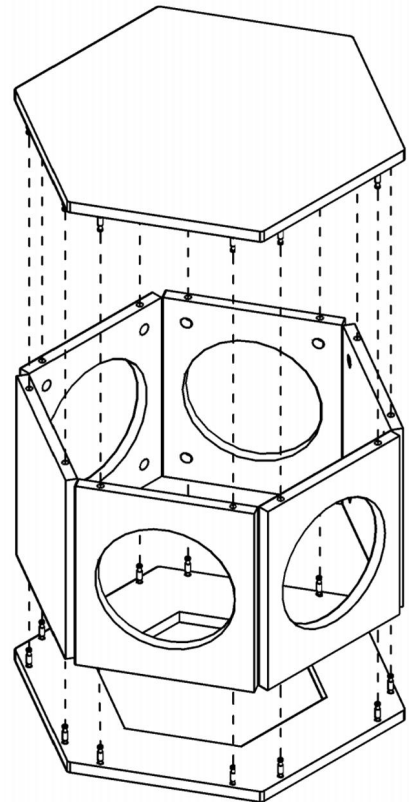
$b \times 12$

3

$a \times 12$

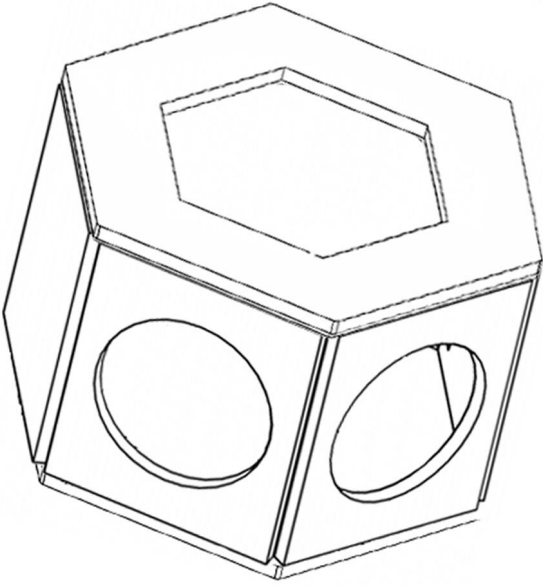


4

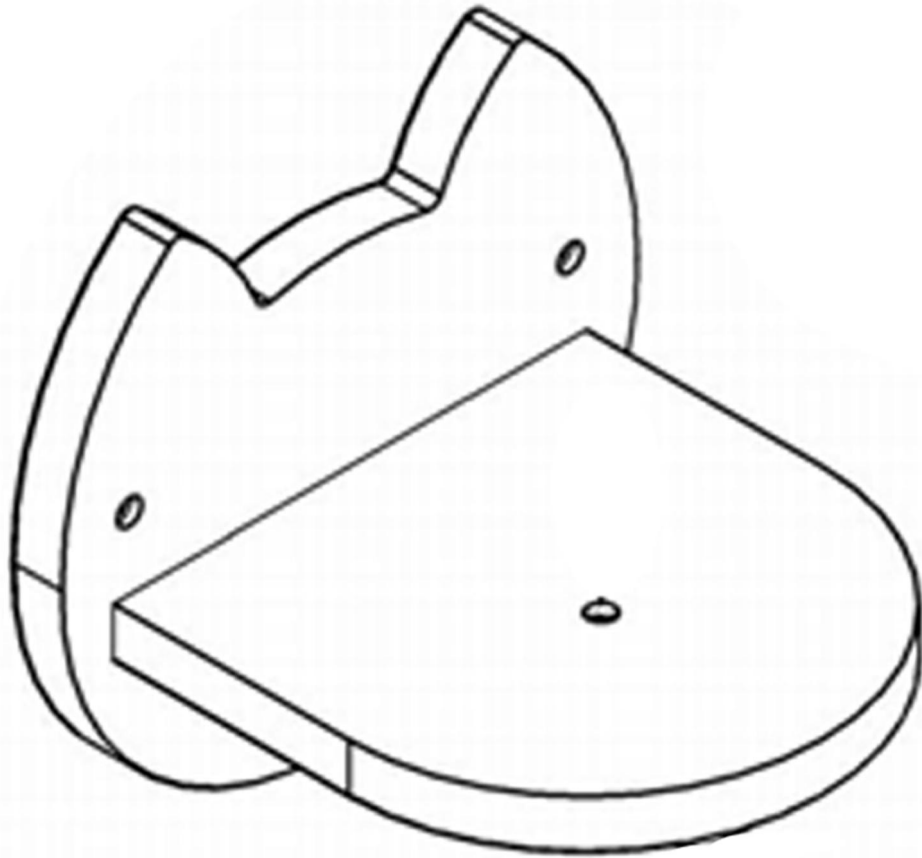


$b \times 12$

5



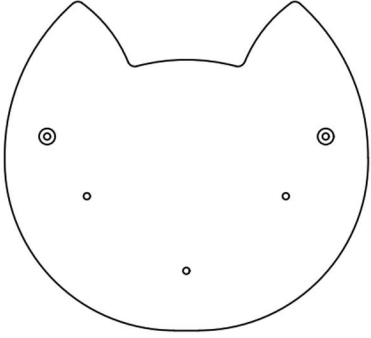
# Cat Wall Stepper Instructions



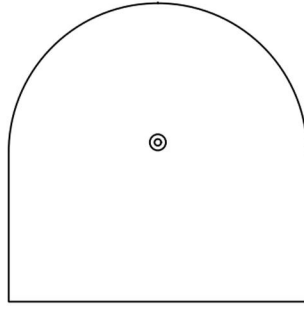
## CM07



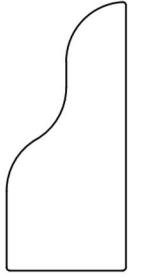
**PETOMG**<sup>®</sup>  
Pet Home Decor



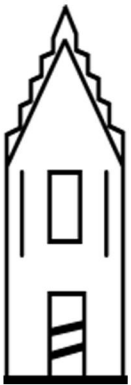
A × 1



B × 1



C × 1



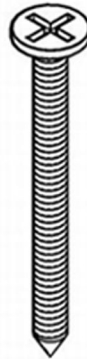
For drywall

× 6

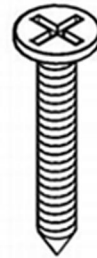


Solid wall

× 6



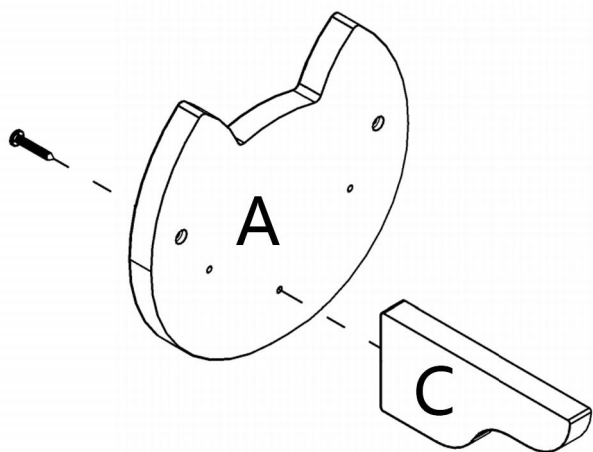
a × 6



b × 12

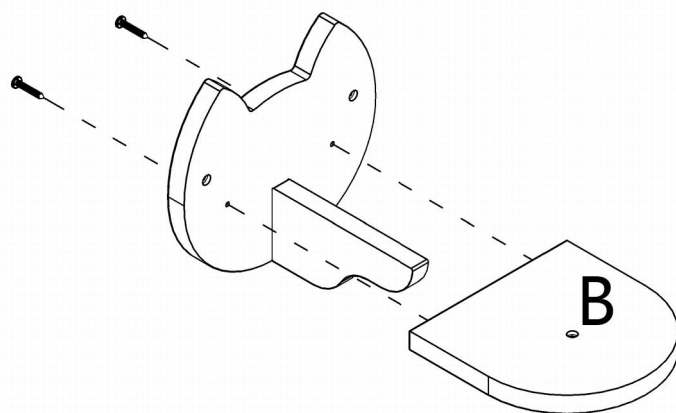
1

b × 1



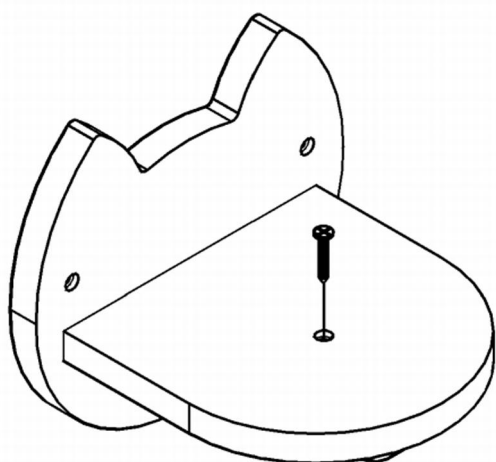
2

b × 2



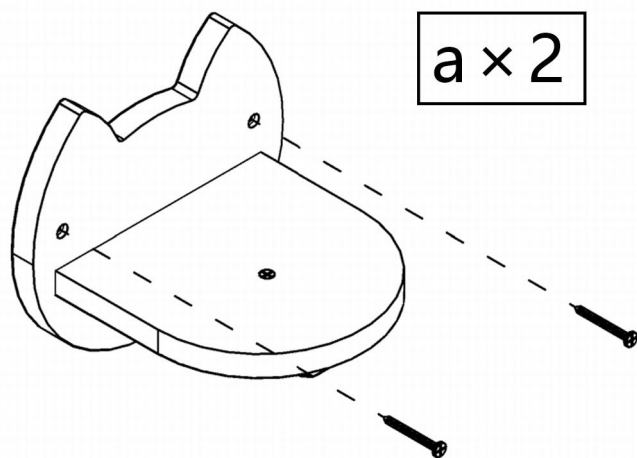
3

b × 1



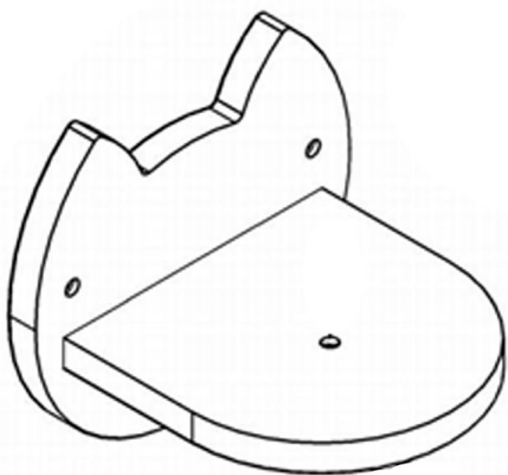
4

a × 2

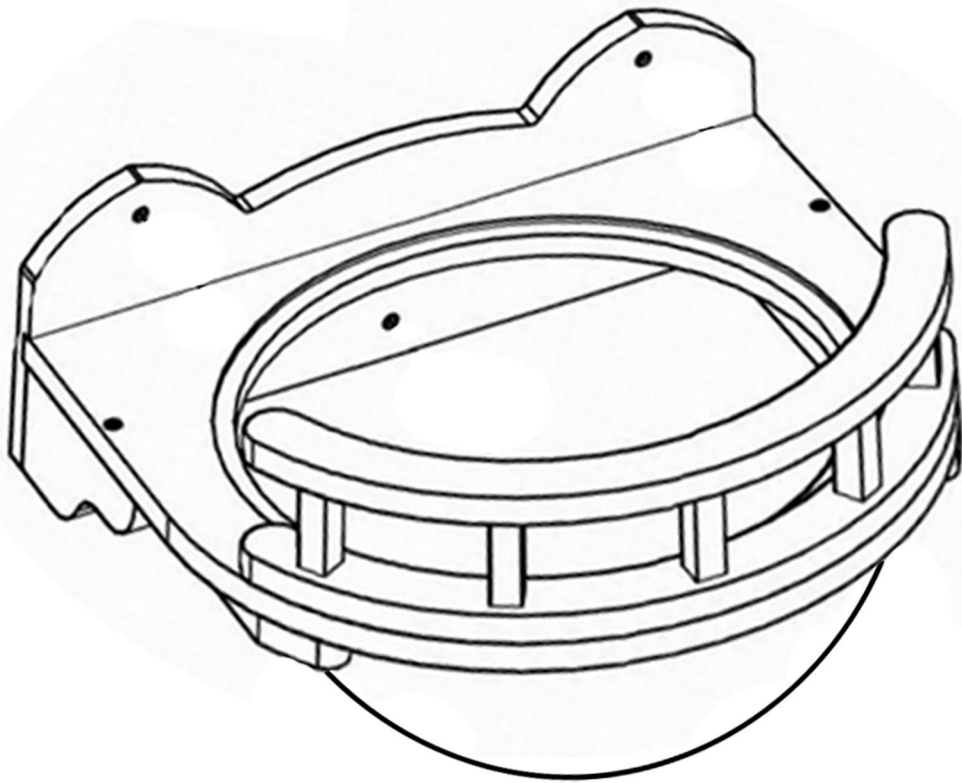




5



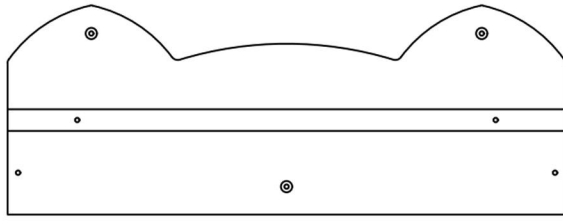
# Cat Space Capsule Instructions



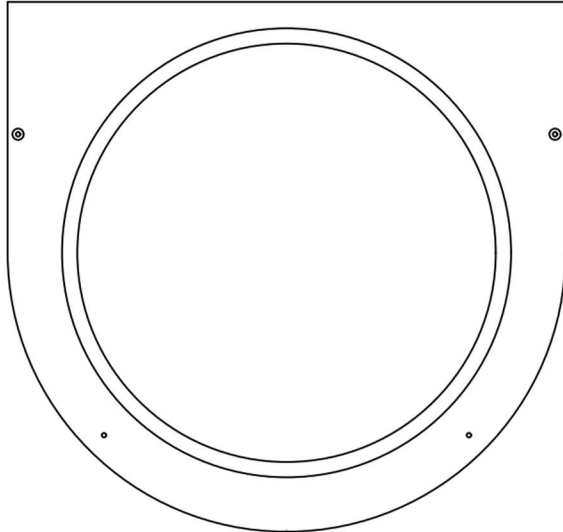
# CM09



**PETOMG**<sup>®</sup>  
Pet Home Decor



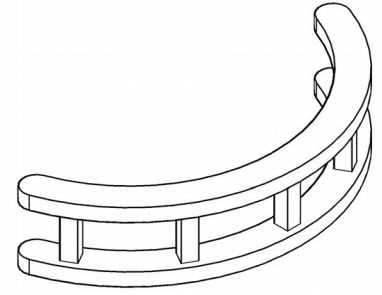
A x 1



B x 1



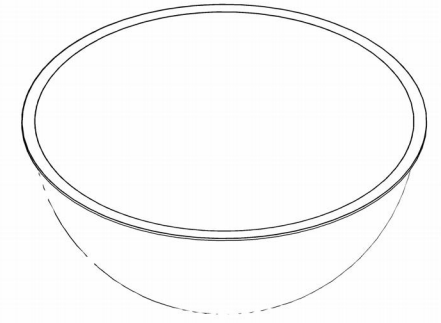
C x 2



D x 1



E x 1



For drywall  
x5



Solid wall  
x5



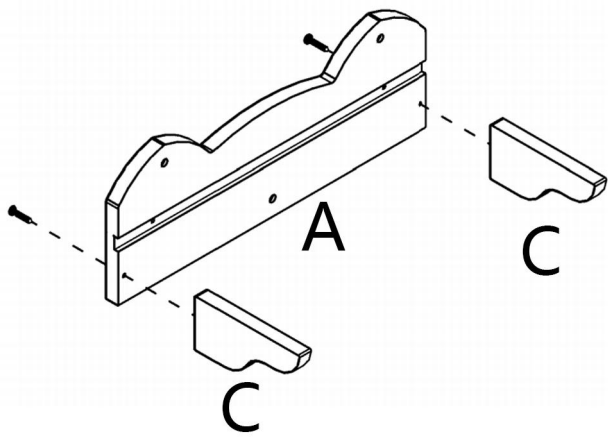
a x 5



b x 8

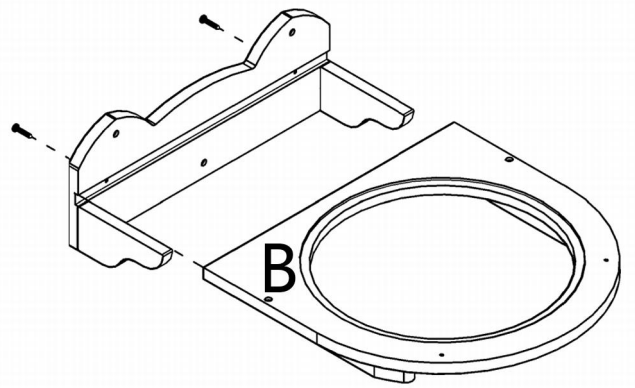
1

b × 2



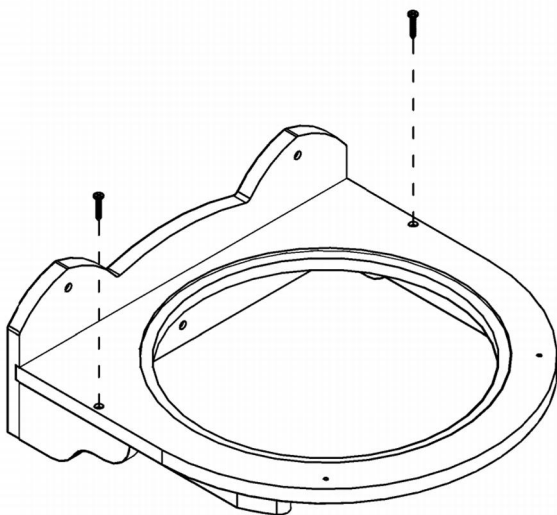
2

b × 2



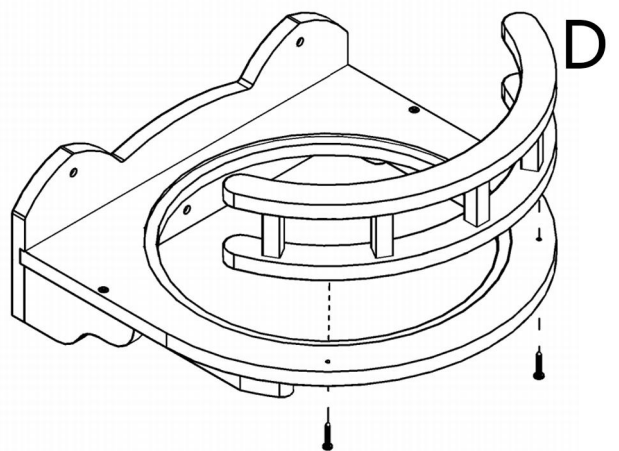
3

b × 2



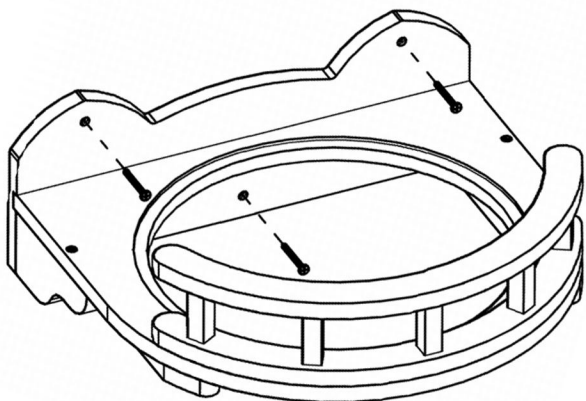
4

b × 2



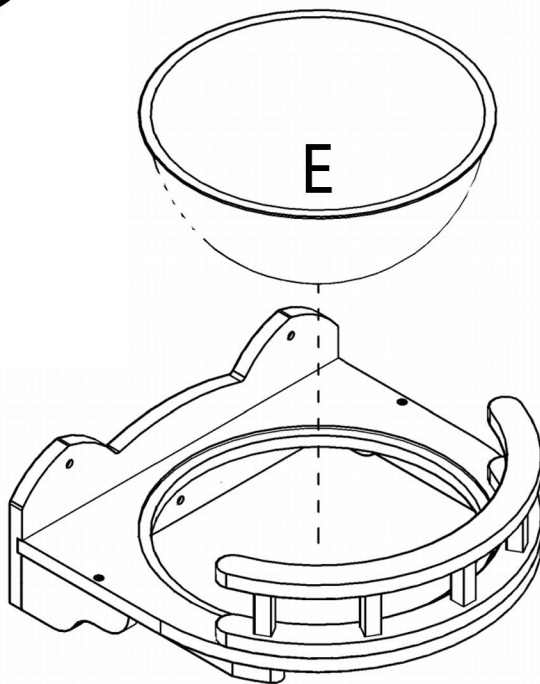
5

a x 3



6

E



7

