



PETOMG[®]
Pet Home Decor

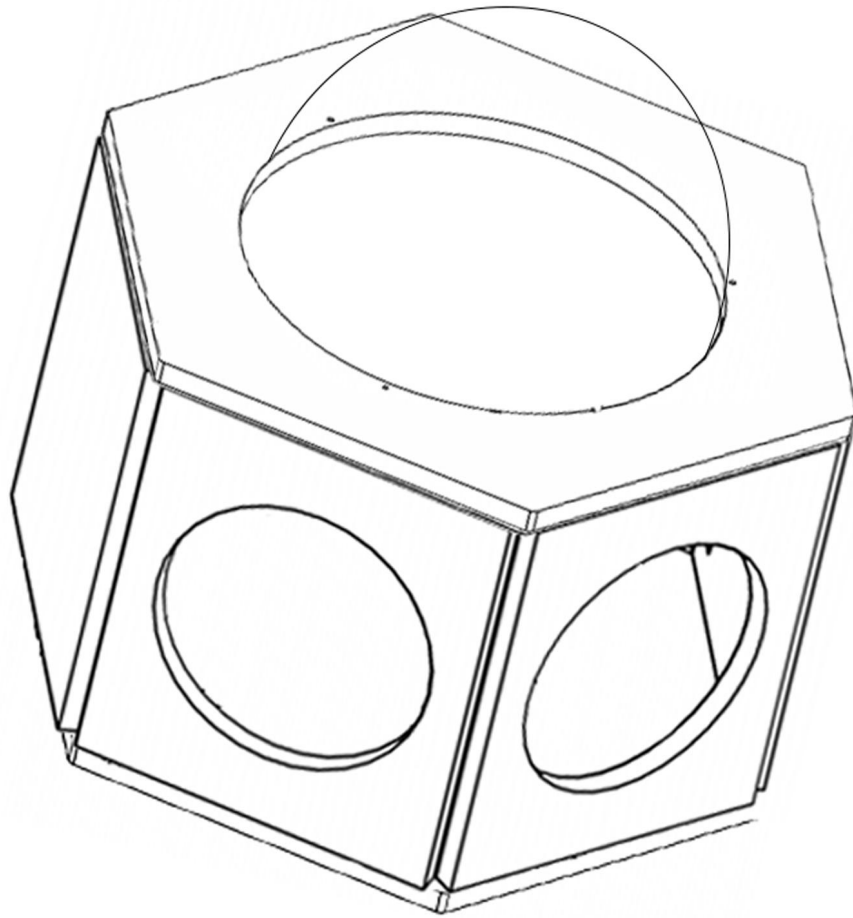
Cat Wall Furniture Instructions

NC002

Table of contents

CM24.....	1
CM23.....	5
CM07.....	9
CM09.....	13

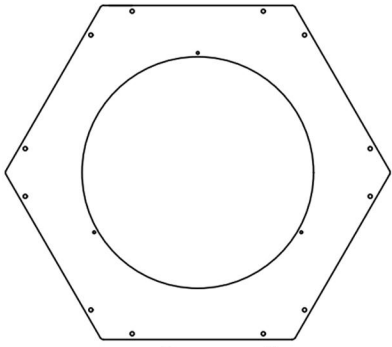
Large Cat Perch Instructions



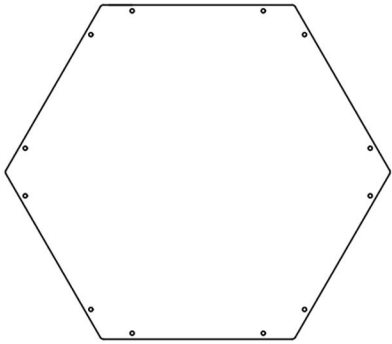
CM24



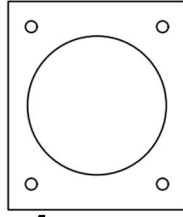
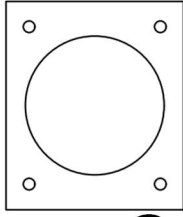
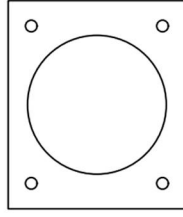
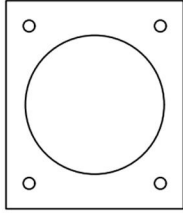
PETOMG[®]
Pet Home Decor



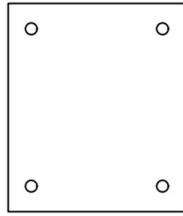
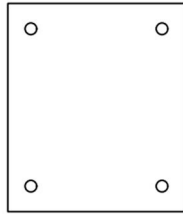
A × 1



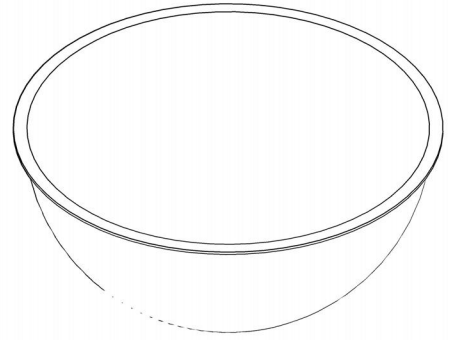
B × 1



C × 4



D × 2



E × 1



For drywall
× 6



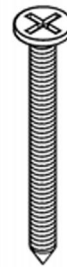
Solid wall
× 6



a × 26



b × 26



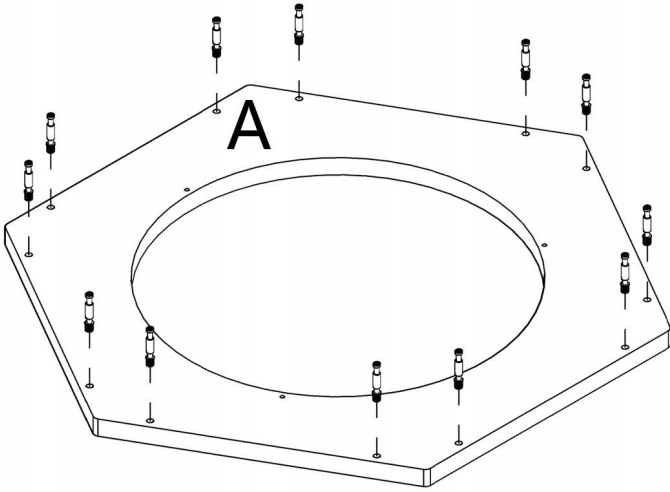
c × 6



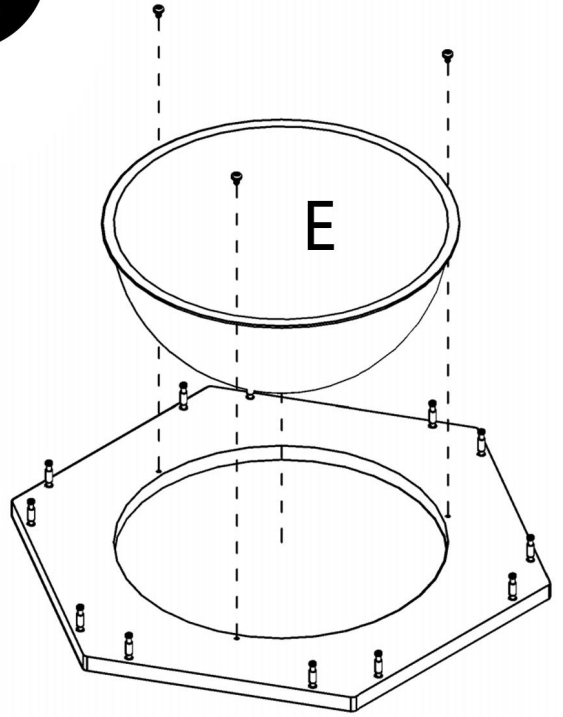
d × 4

1

$a \times 12$



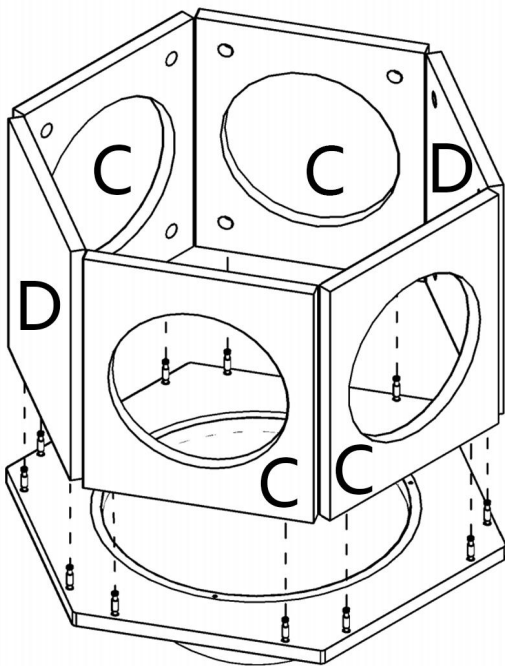
2



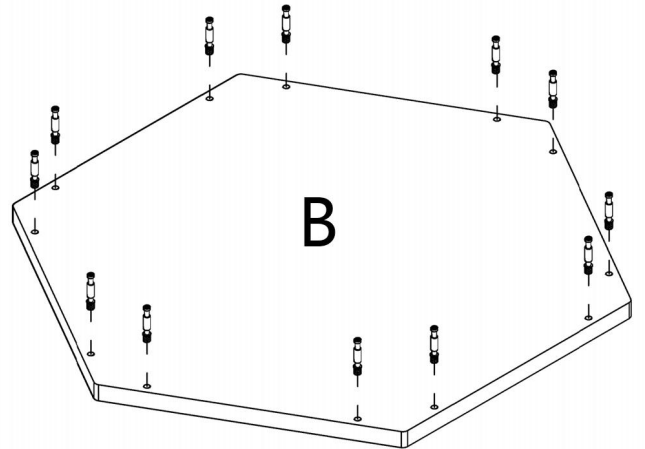
$d \times 3$

3

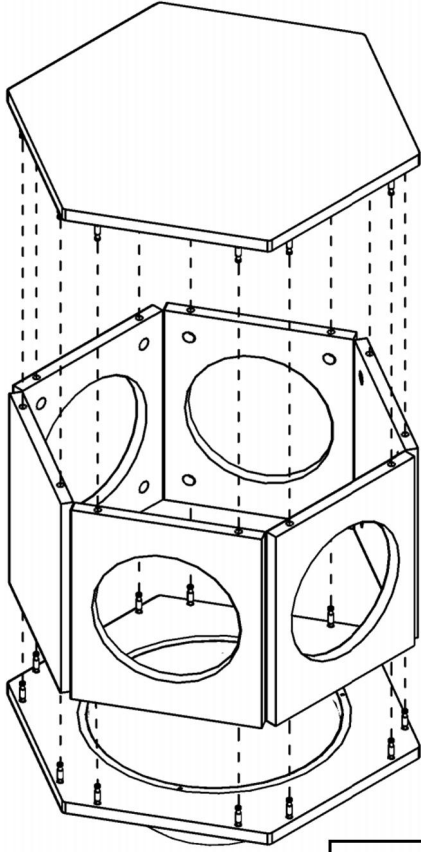
$a \times 12$



4

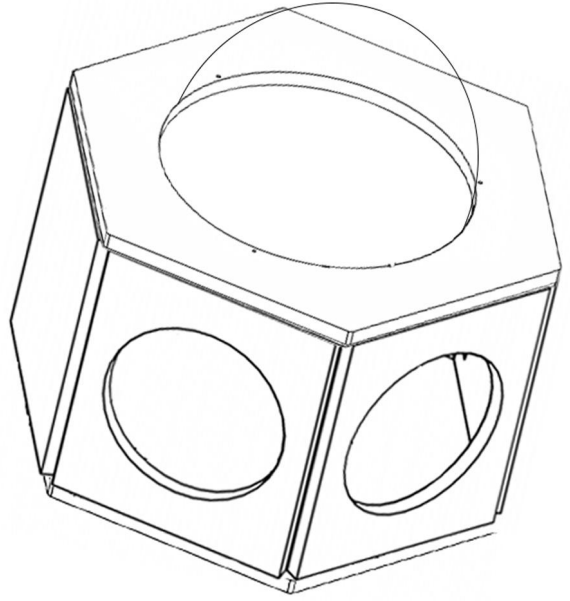


5

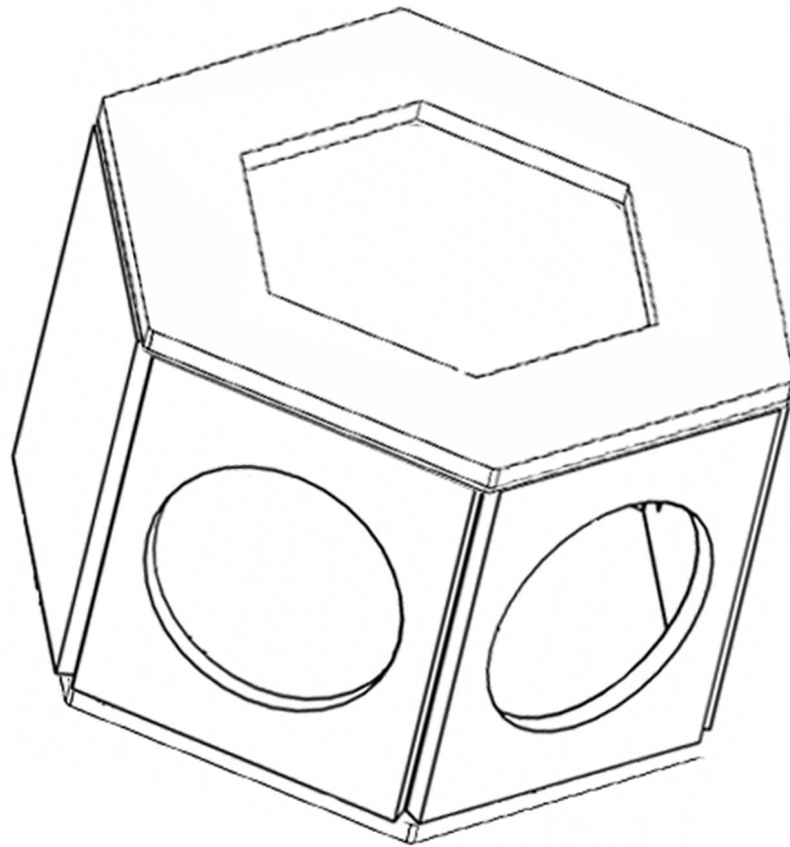


$b \times 12$

6



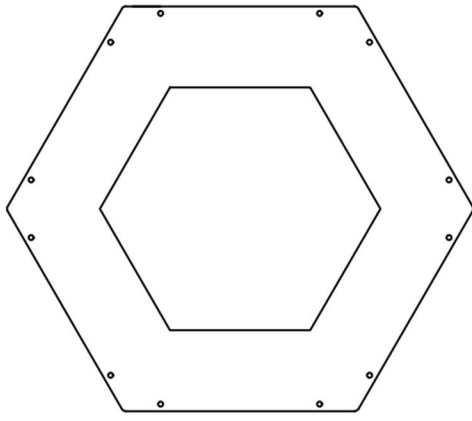
Large Cat Perch Instructions



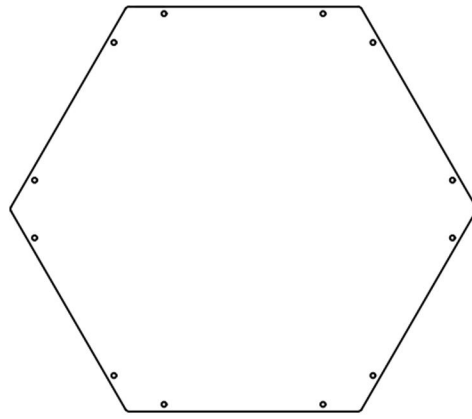
CM23



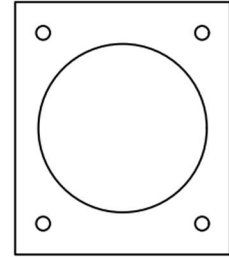
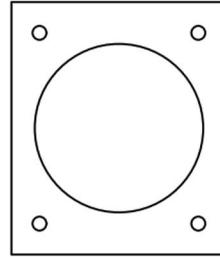
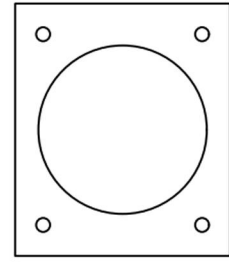
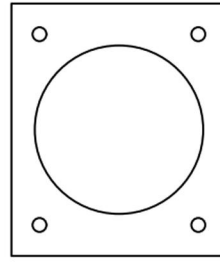
PETOMG[®]
Pet Home Decor



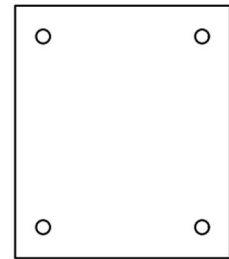
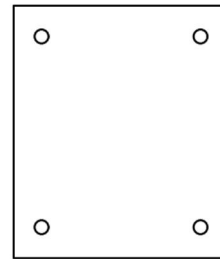
A x 1



B x 1



C x 4



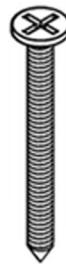
D x 2



For drywall
x6



Solid wall
x6



c x 6



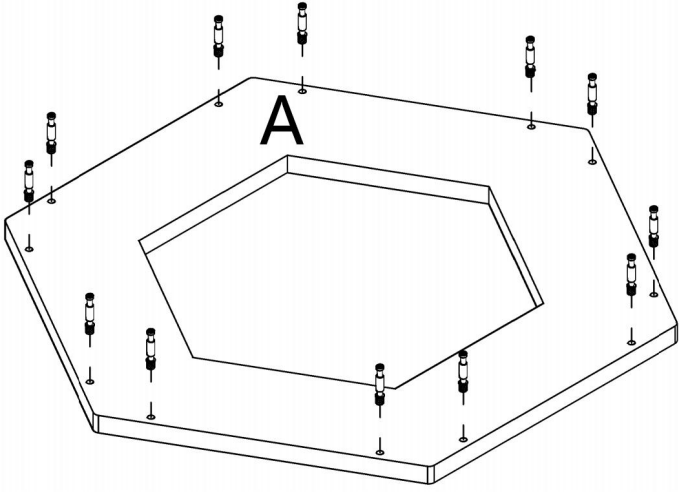
a x 26



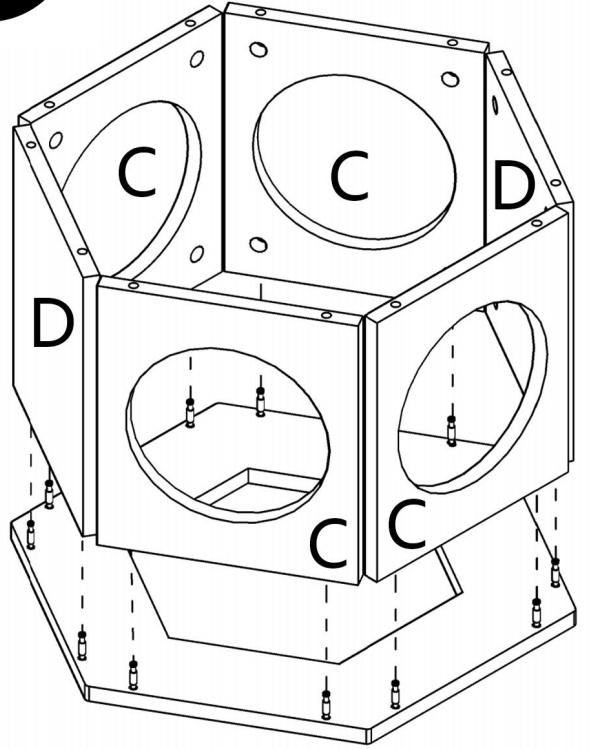
b x 26

1

$a \times 12$



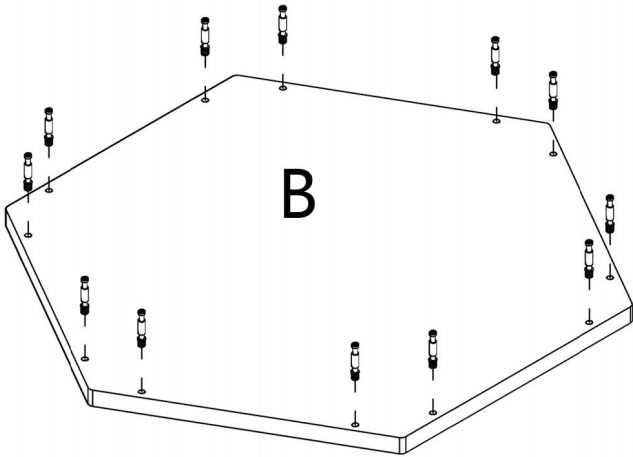
2



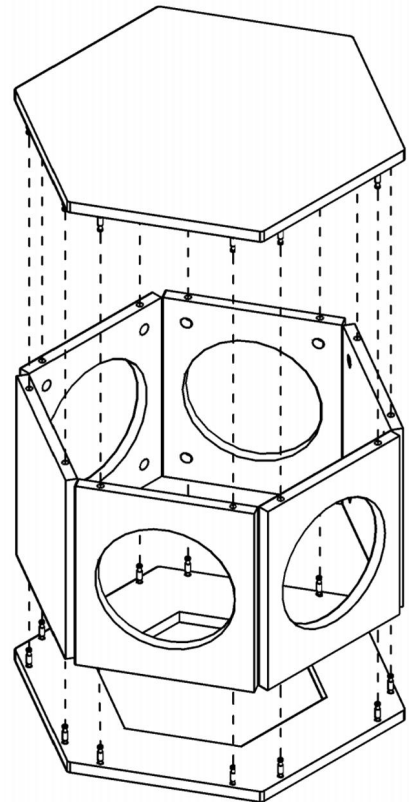
$b \times 12$

3

$a \times 12$

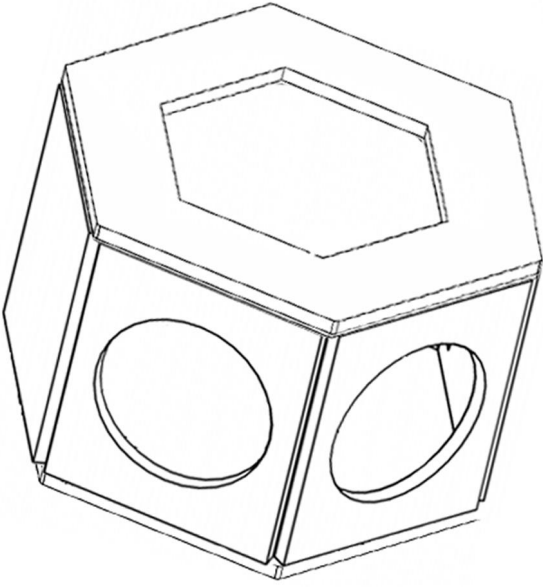


4

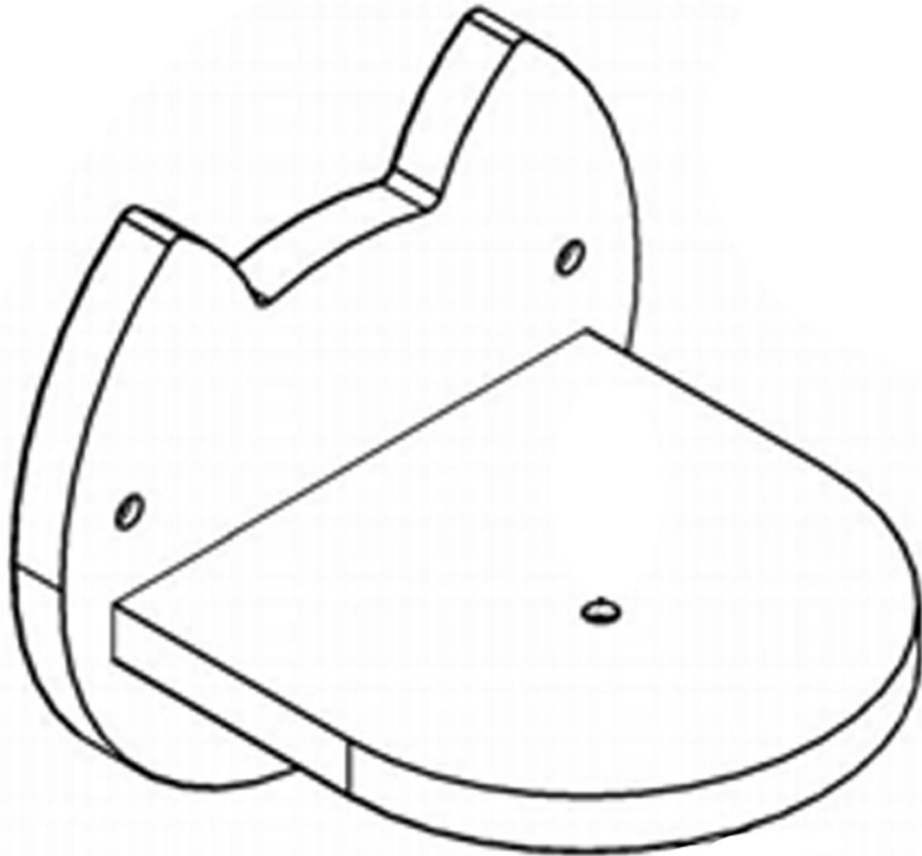


$b \times 12$

5



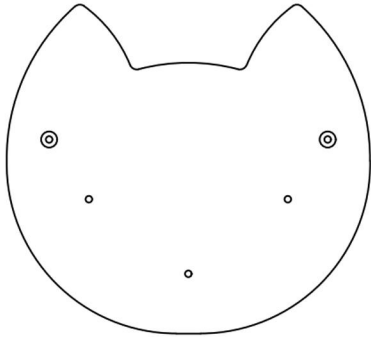
Cat Wall Stepper Instructions



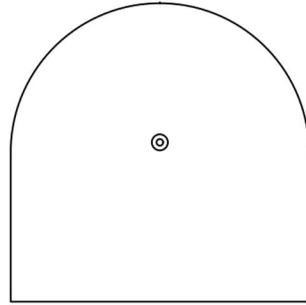
CM07



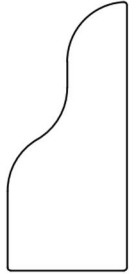
PETOMG[®]
Pet Home Decor



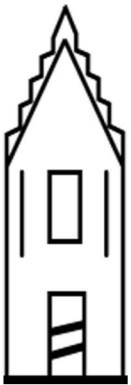
A × 1



B × 1

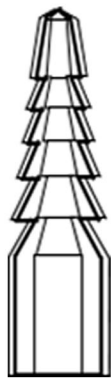


C × 1



For drywall

× 6

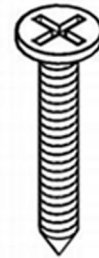


Solid wall

× 6



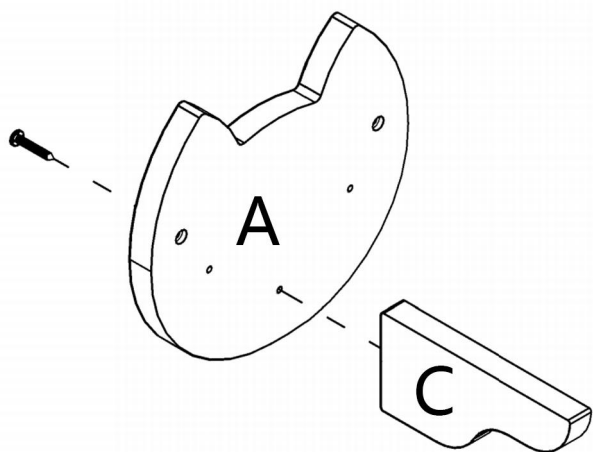
a × 6



b × 12

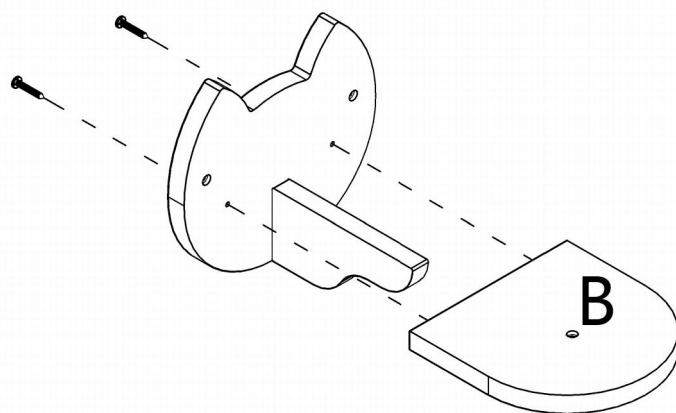
1

b × 1



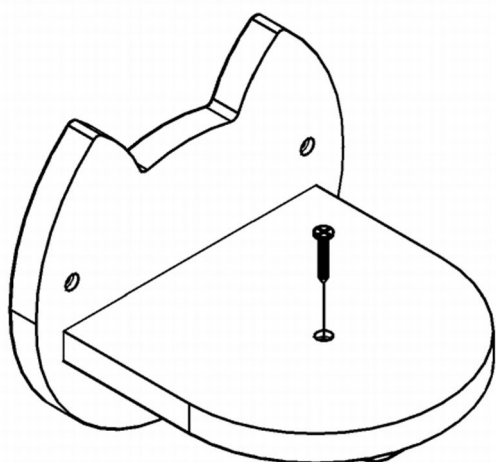
2

b × 2



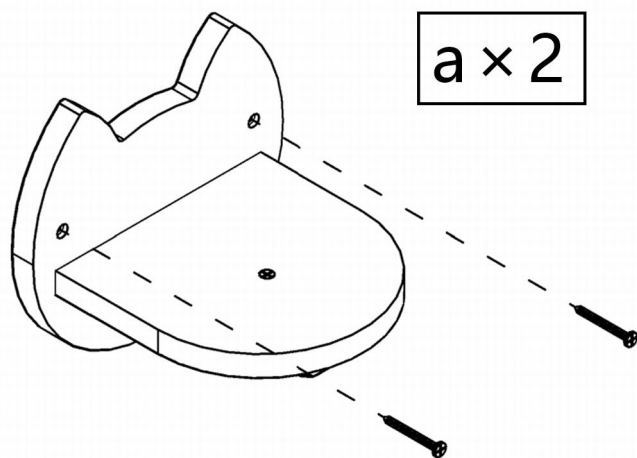
3

b × 1

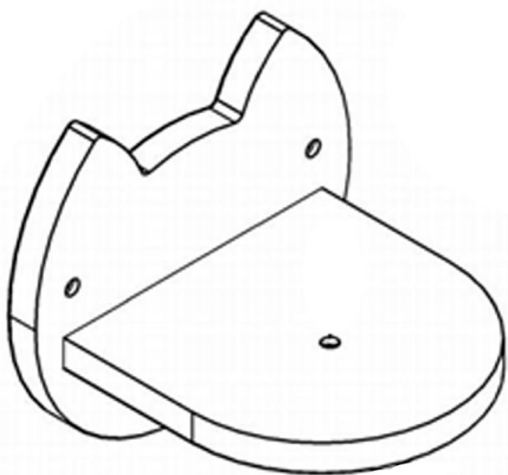


4

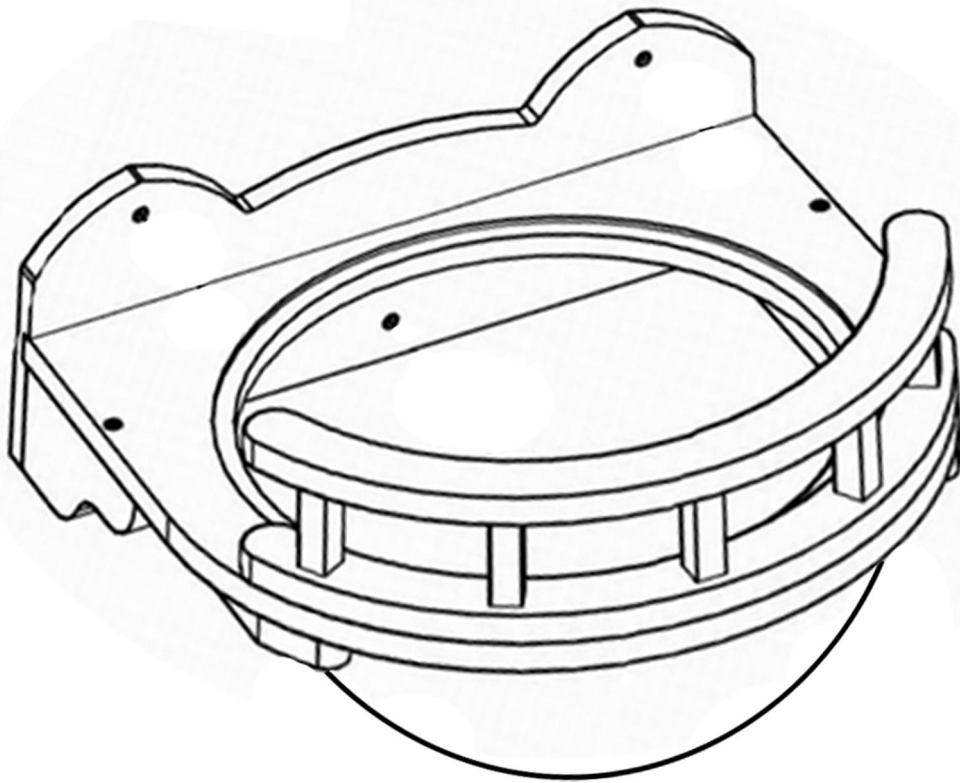
a × 2



5



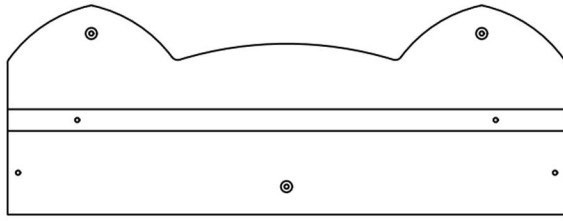
Cat Space Capsule Instructions



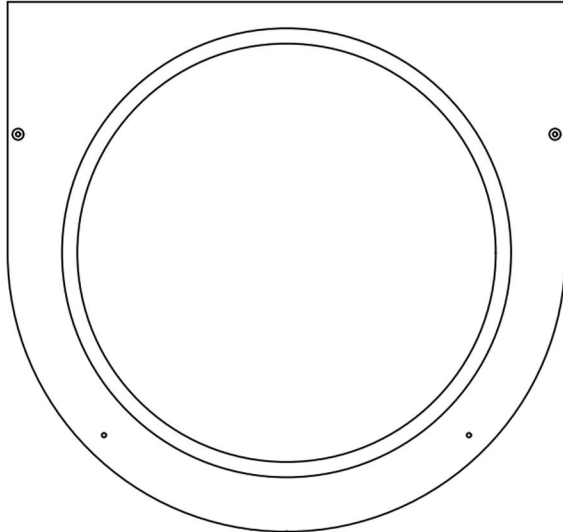
CM09



PETOMG[®]
Pet Home Decor



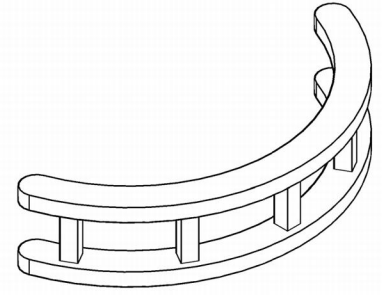
A x 1



B x 1



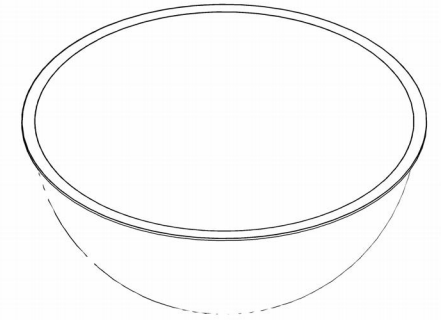
C x 2



D x 1



E x 1



For drywall
x5



Solid wall
x5



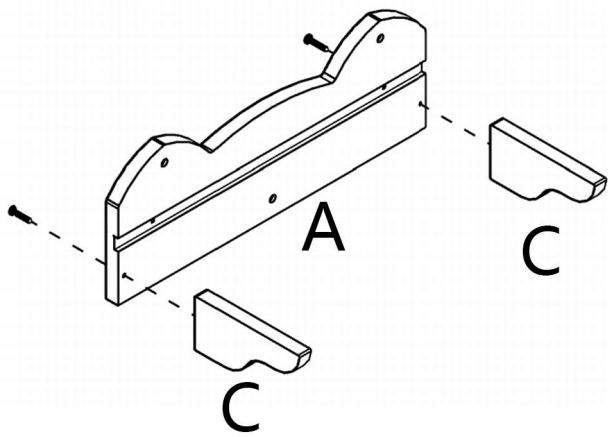
a x 5



b x 8

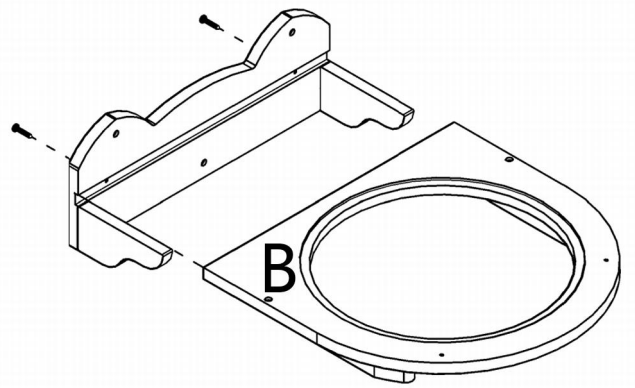
1

b × 2



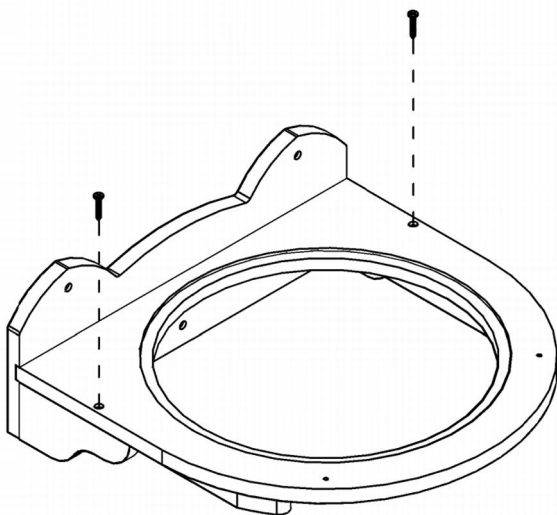
2

b × 2



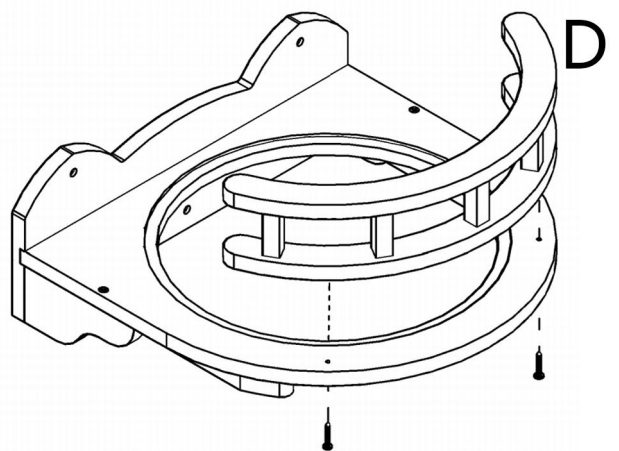
3

b × 2



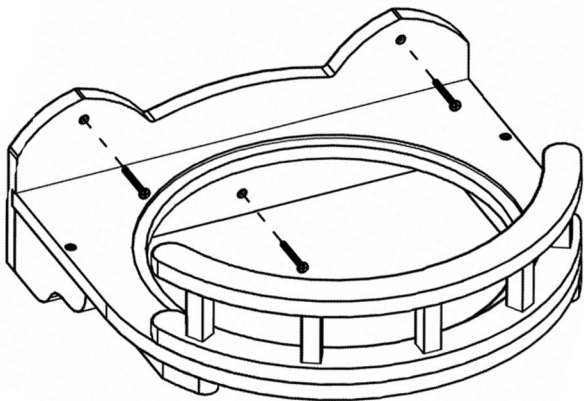
4

b × 2

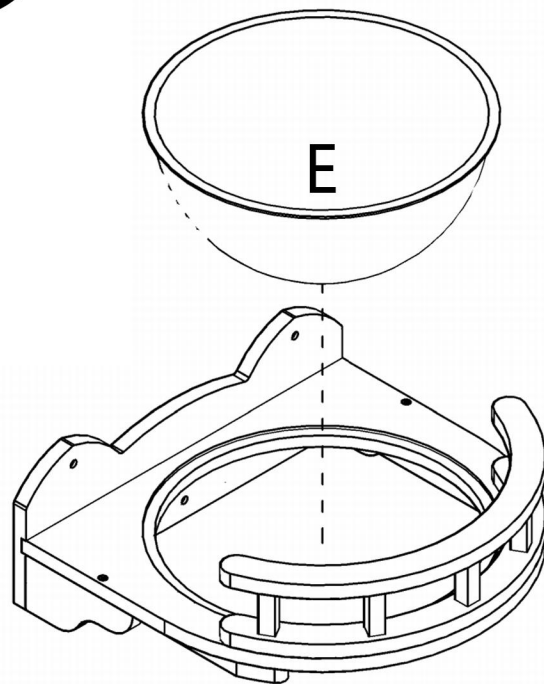


5

a x 3



6



7

