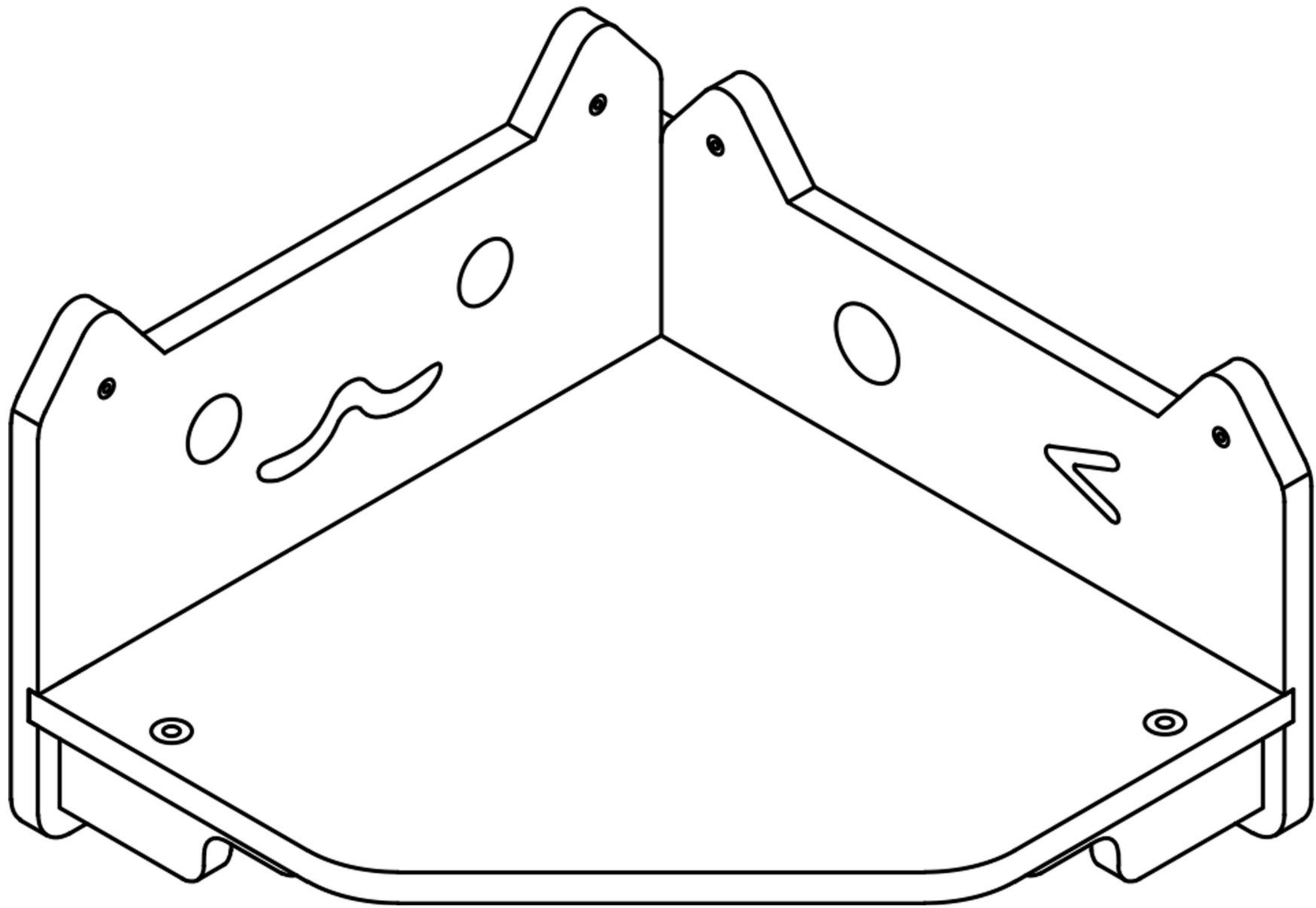


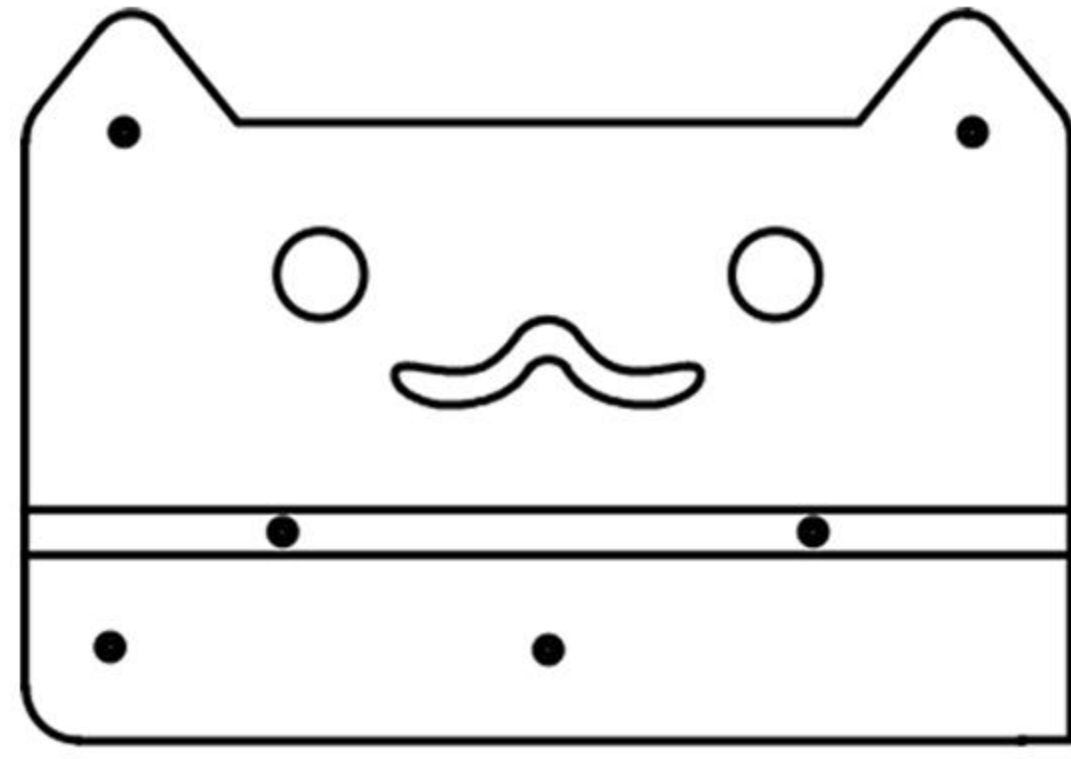
Cat Wall Stepper Instructions



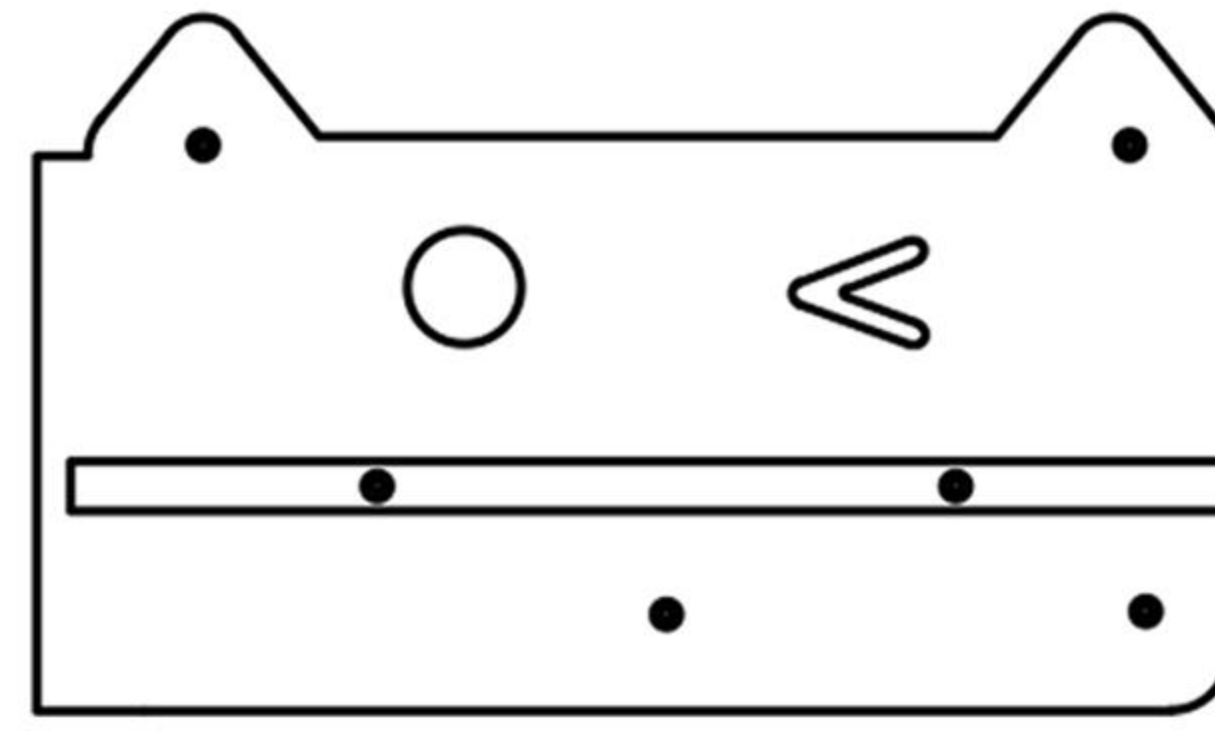
CM32



PETOMG



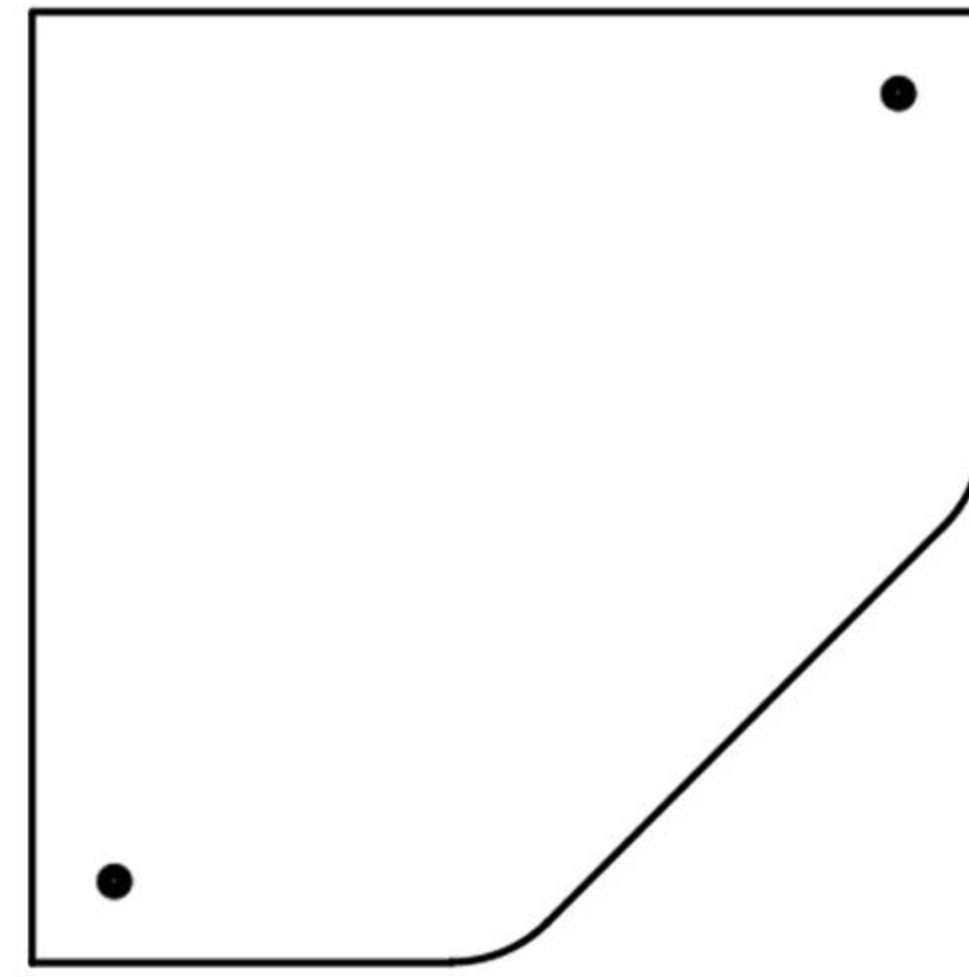
A × 1



B × 1



C × 2



D × 1

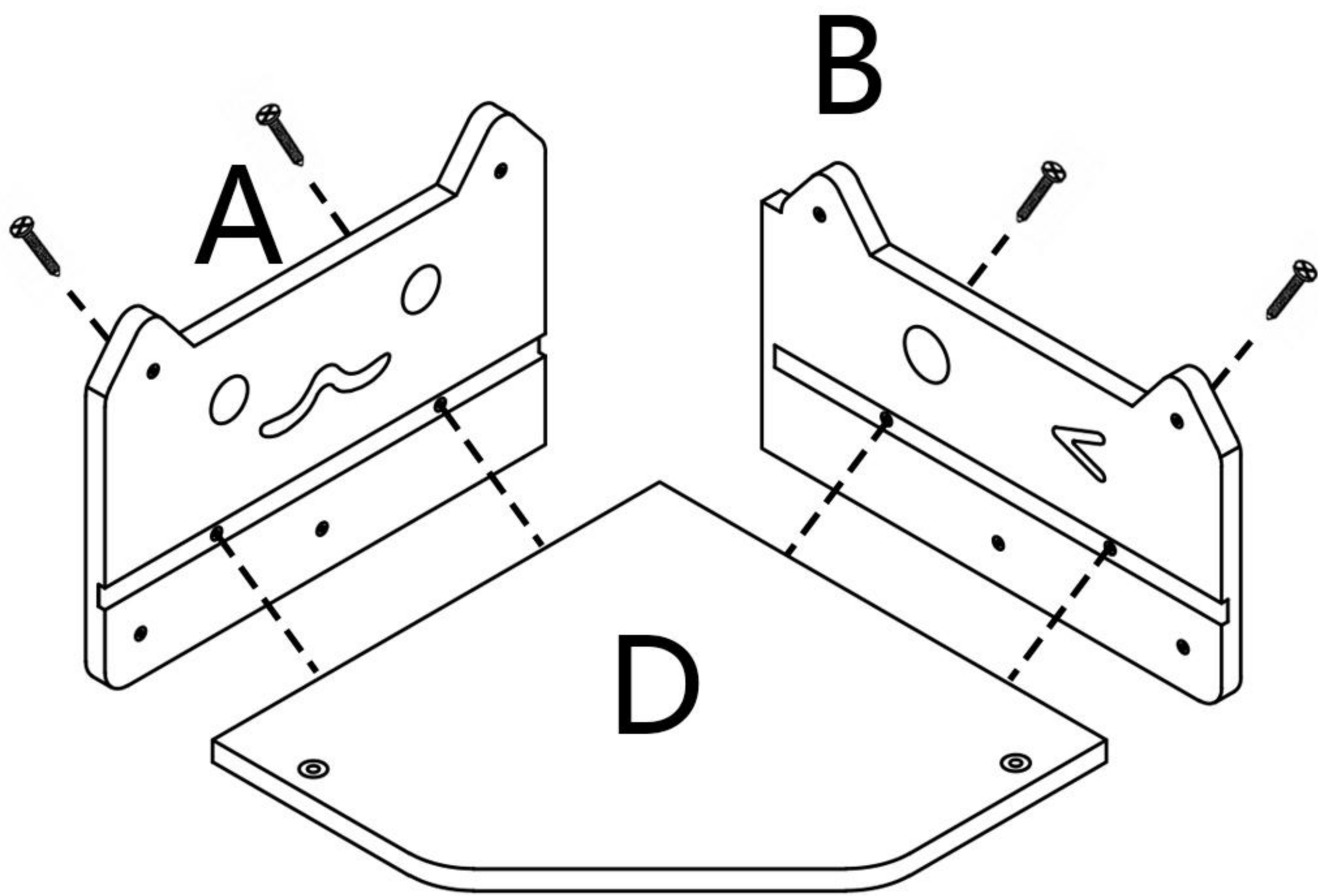


a × 6



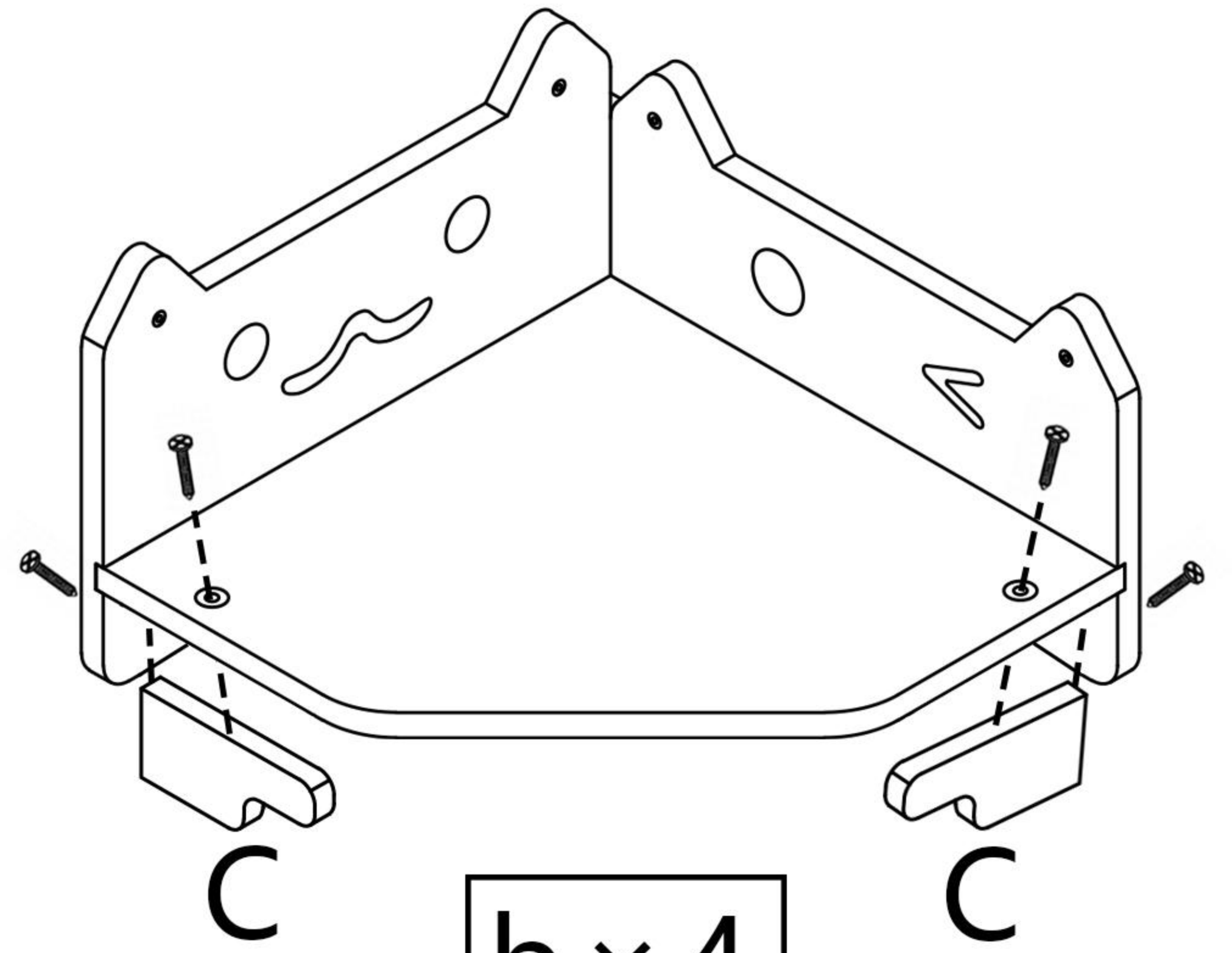
b × 8

1



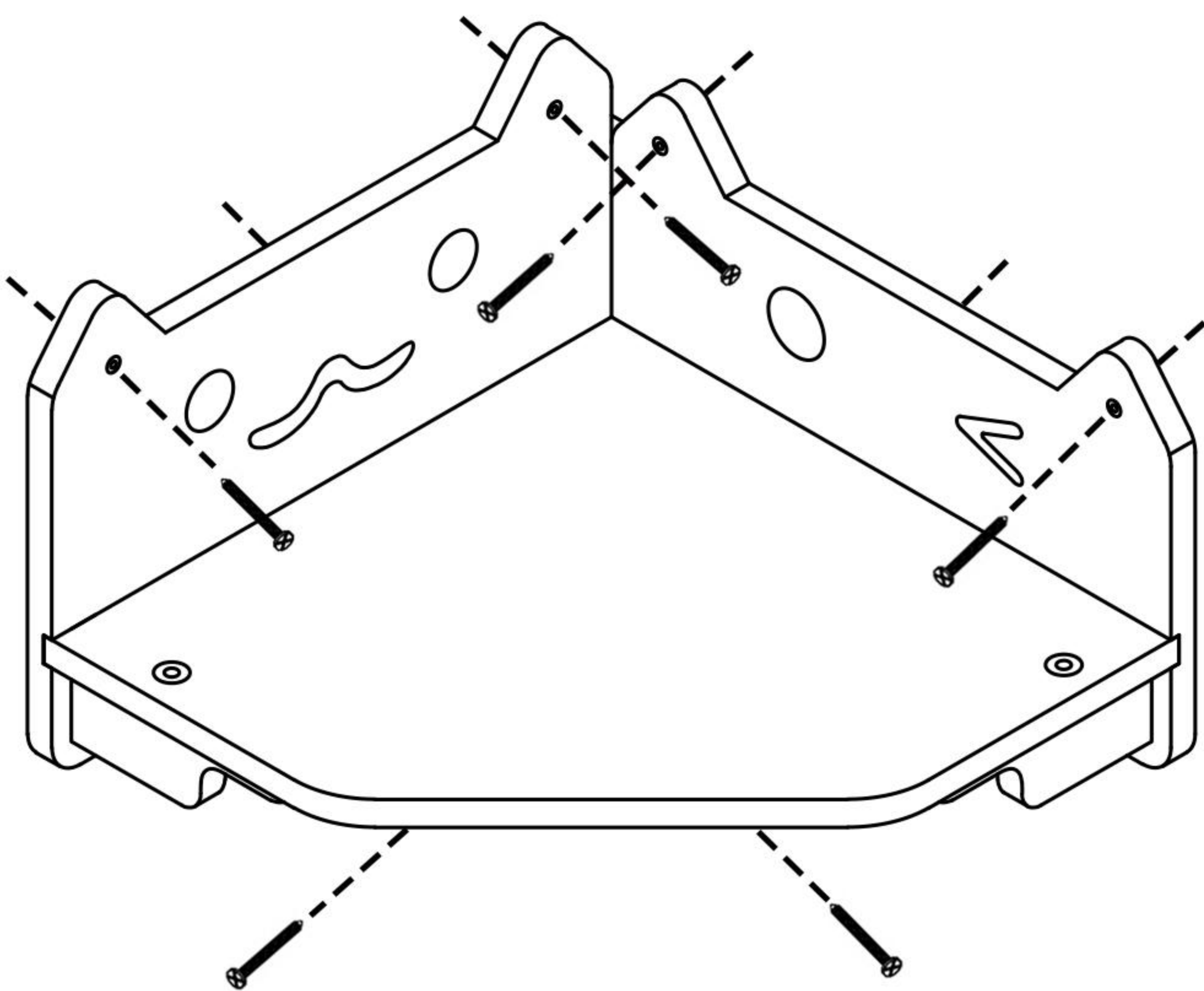
$b \times 4$

2



$b \times 4$

3



$a \times 6$

4

