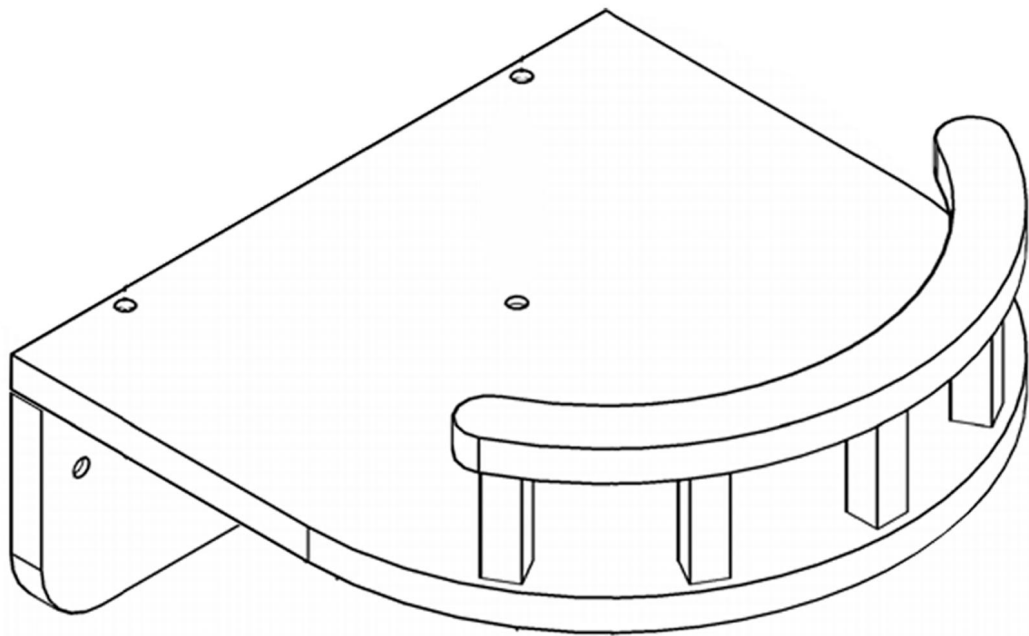


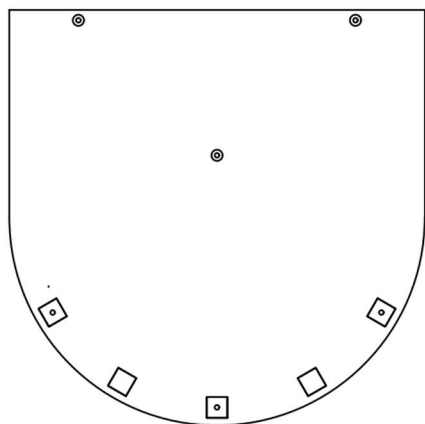
Cat Wall Perch Instructions



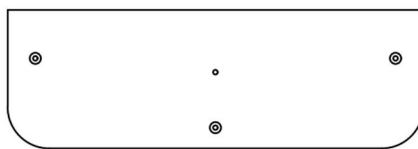
CM25



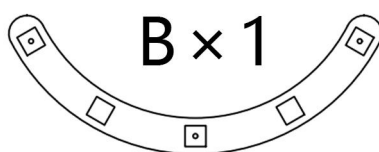
PET OMG



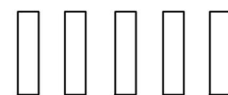
A × 1



B × 1



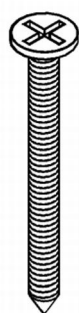
C × 1



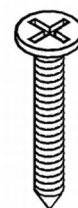
D × 5



E × 1



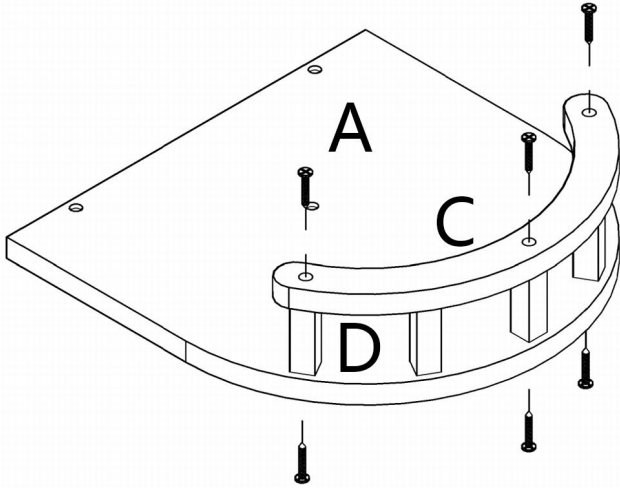
a × 3



b × 10

1

$b \times 6$

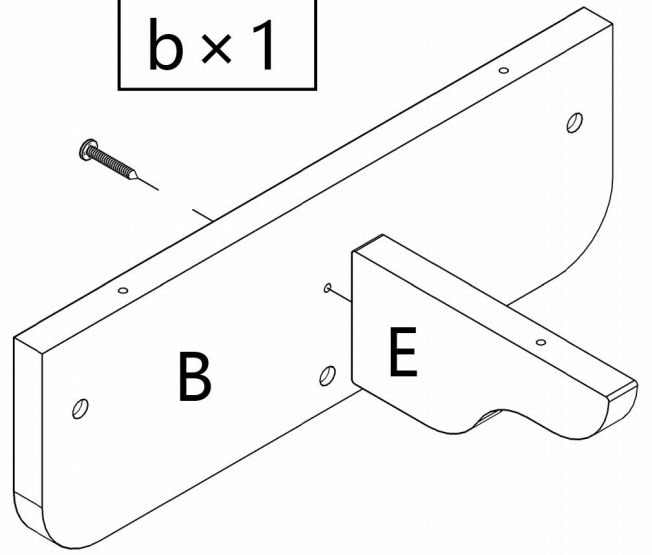


$D \times 5$

2

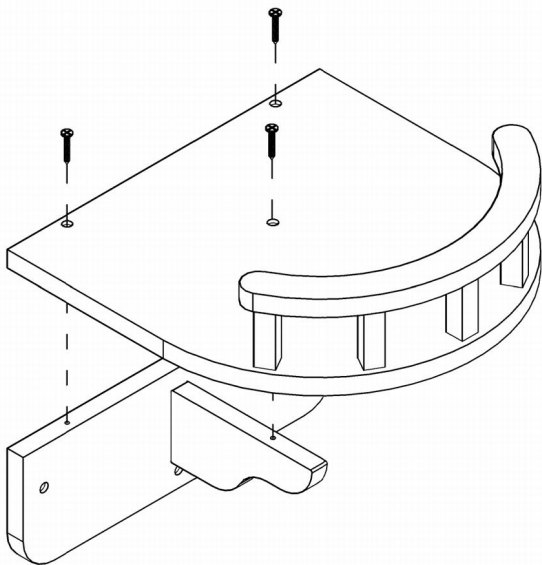
C

$b \times 1$



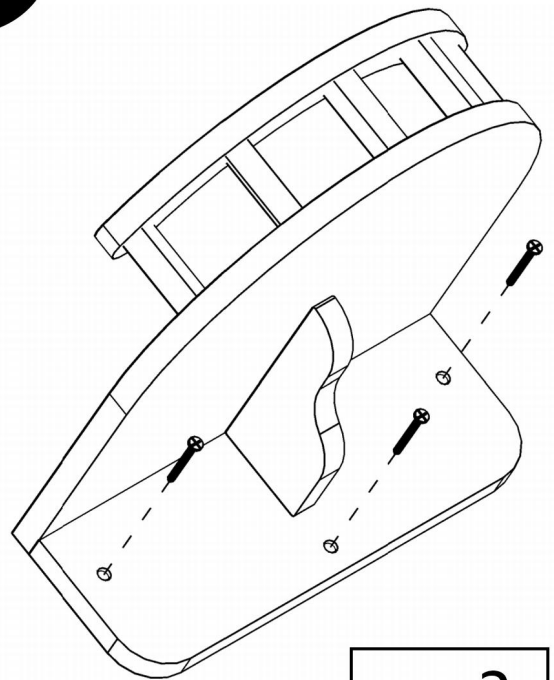
3

$b \times 3$



4

$a \times 3$



5

