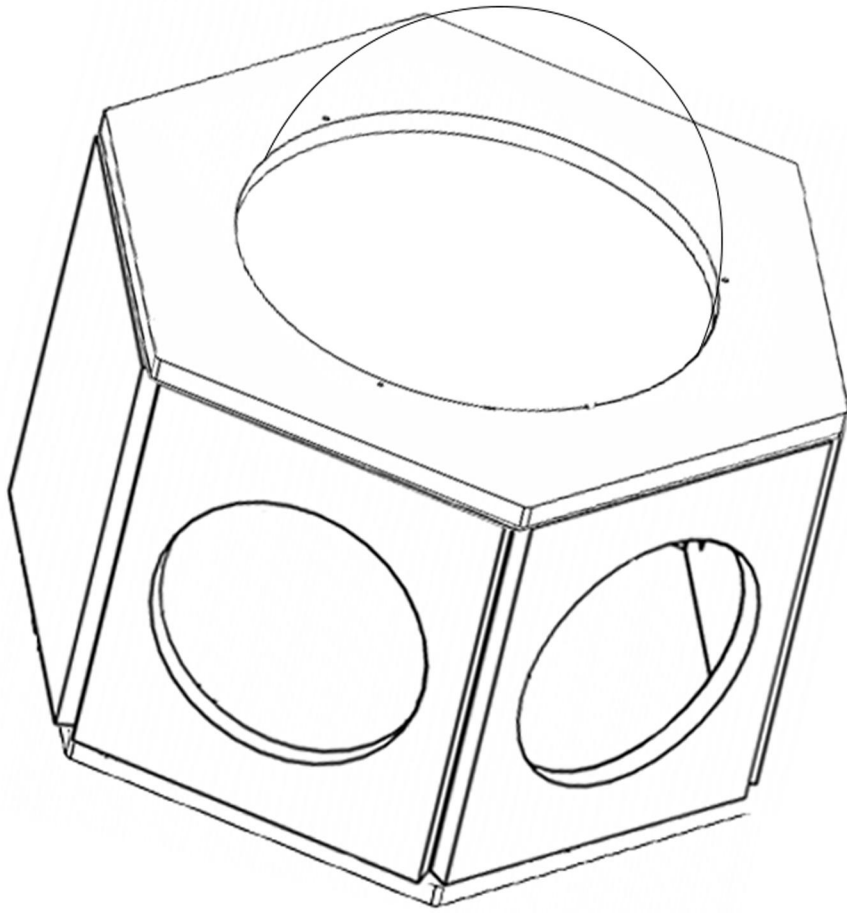


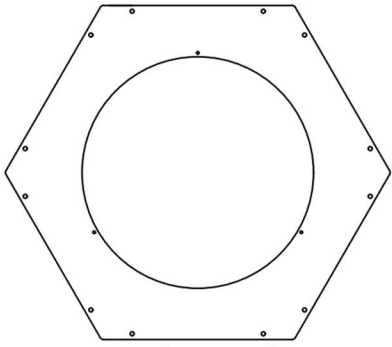
# Large Cat Perch Instructions



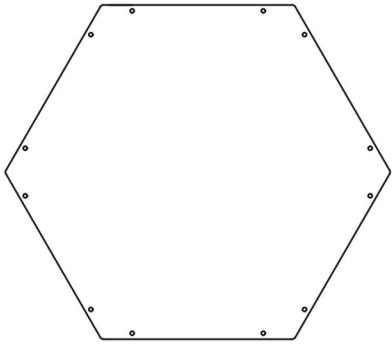
## CM24



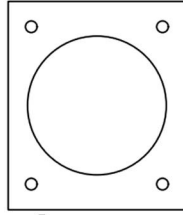
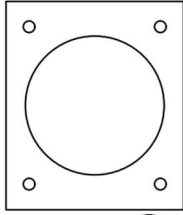
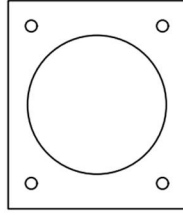
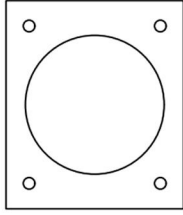
**PETOMG**<sup>®</sup>  
Pet Home Decor



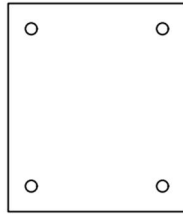
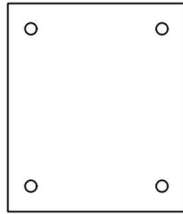
A × 1



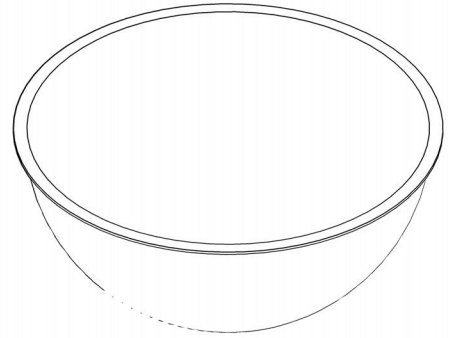
B × 1



C × 4



D × 2



E × 1



For drywall  
× 6



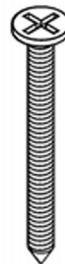
Solid wall  
× 6



a × 26



b × 26



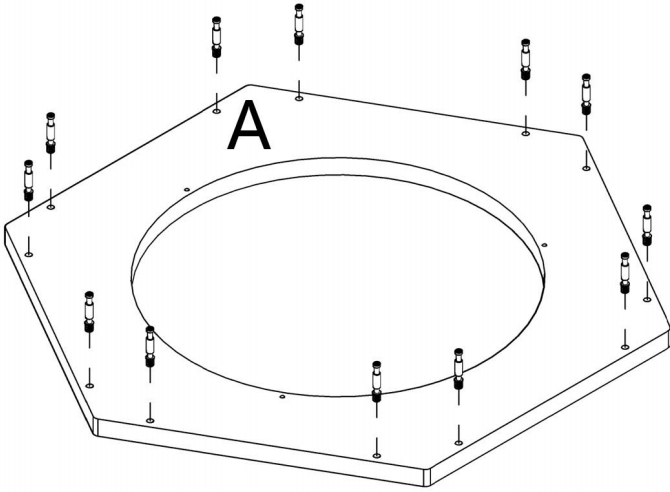
c × 6



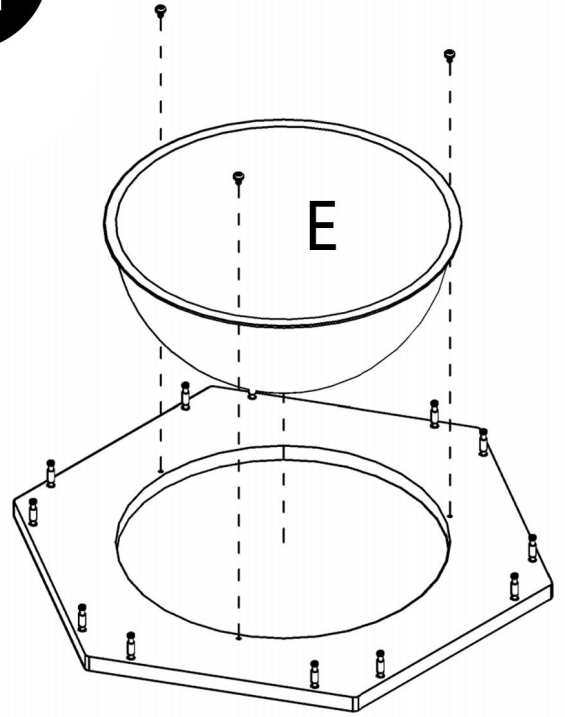
d × 4

1

$a \times 12$



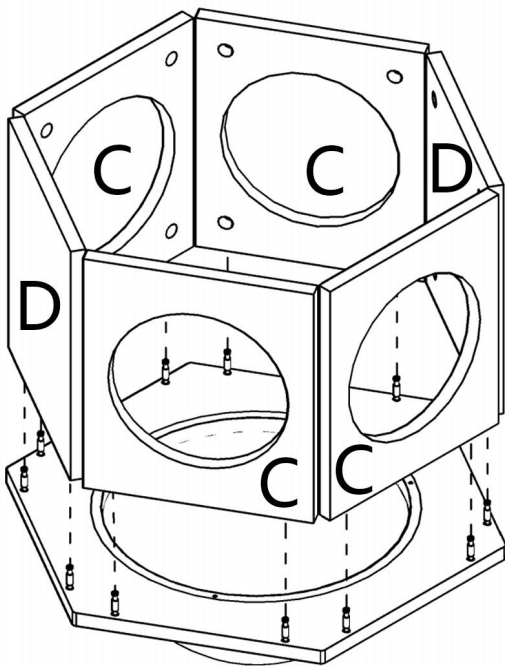
2



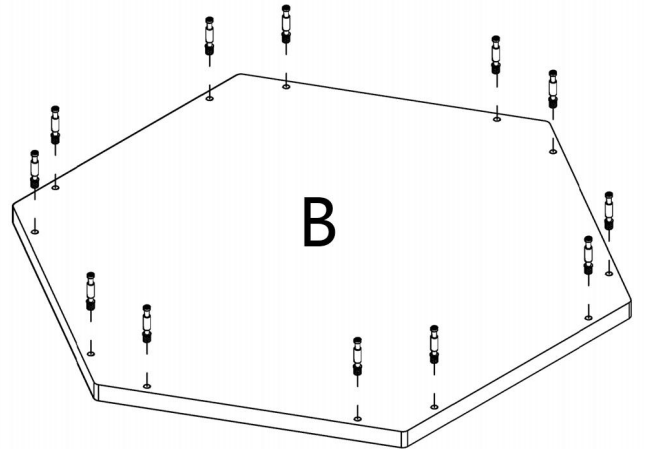
$d \times 3$

3

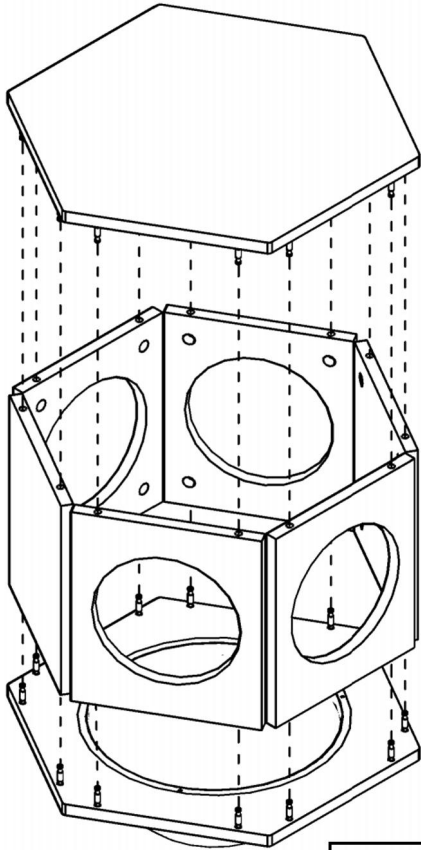
$a \times 12$



4



5



$b \times 12$

6

