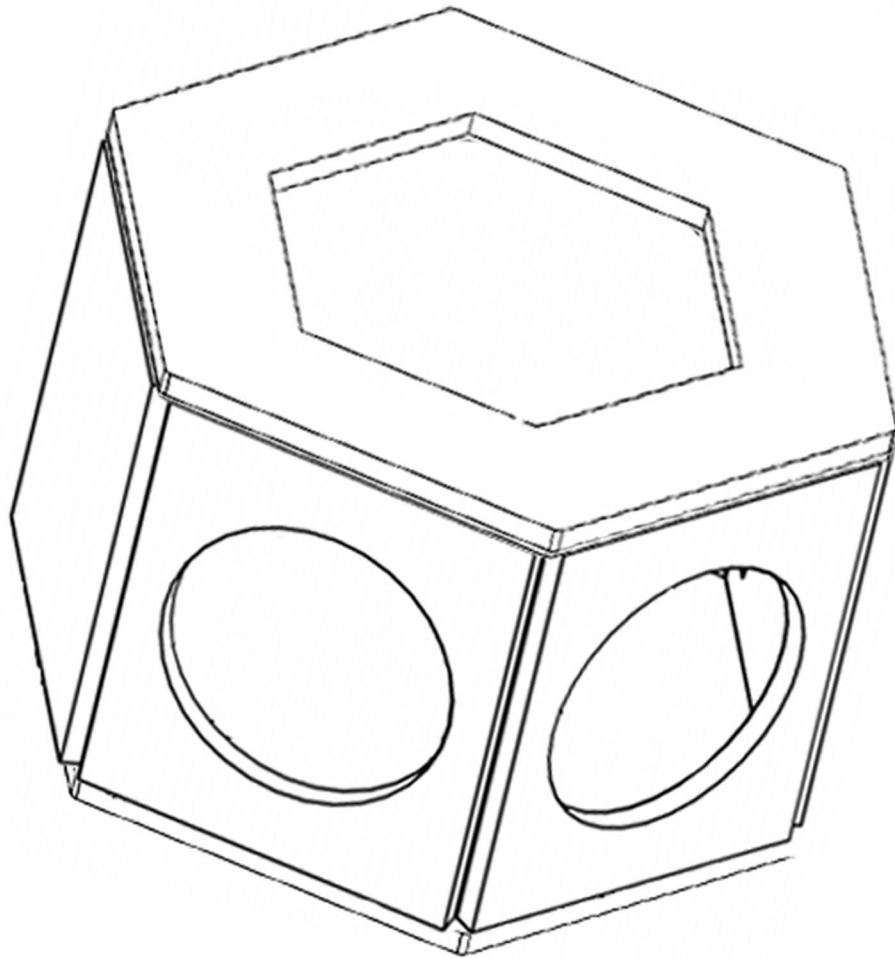


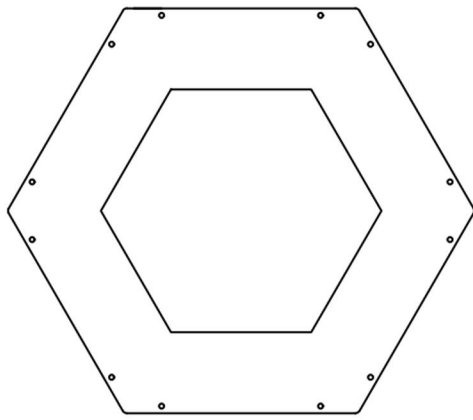
Large Cat Perch Instructions



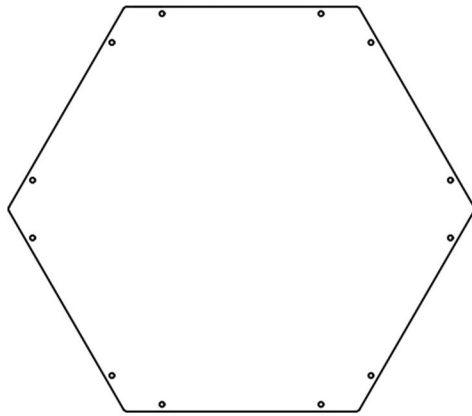
CM23



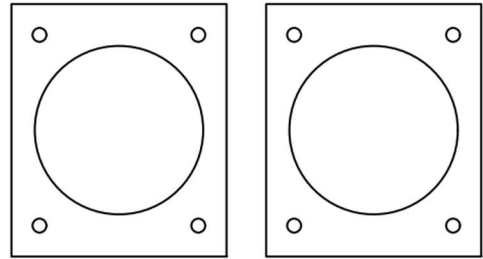
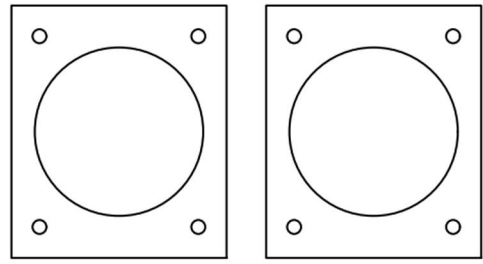
PETOMG[®]
Pet Home Decor



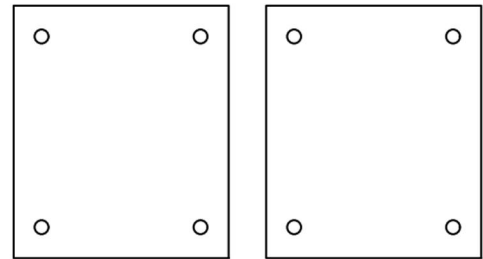
A × 1



B × 1



C × 4



D × 2



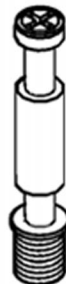
For drywall
× 6



Solid wall
× 6



c × 6



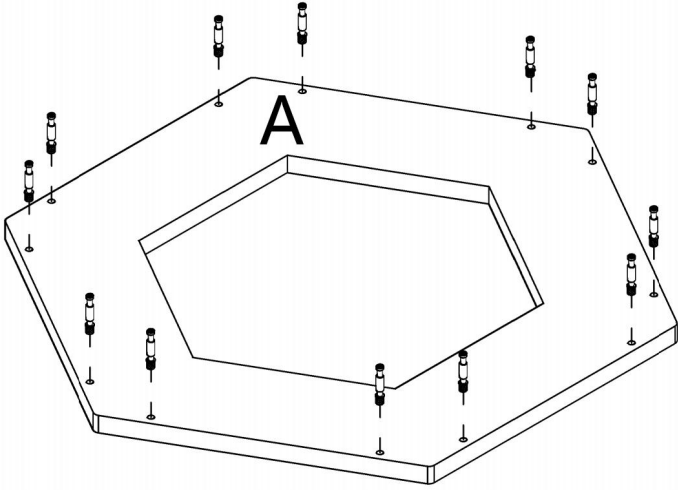
a × 26



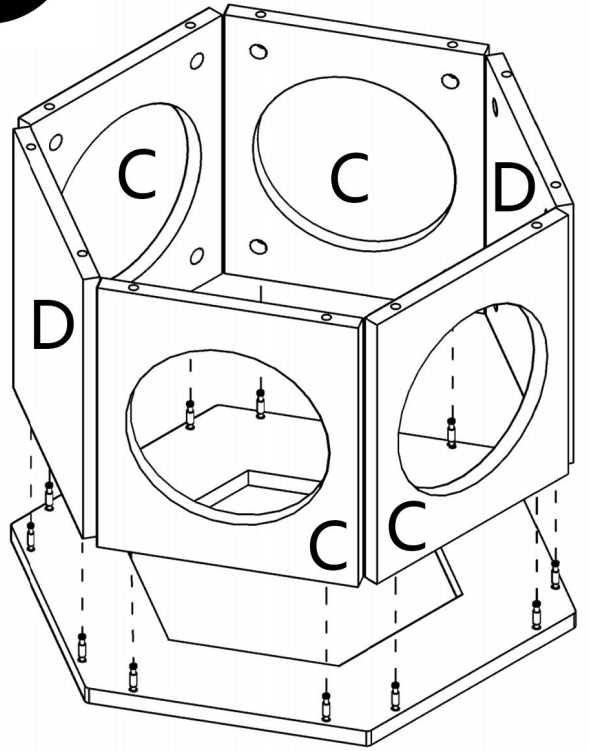
b × 26

1

$a \times 12$



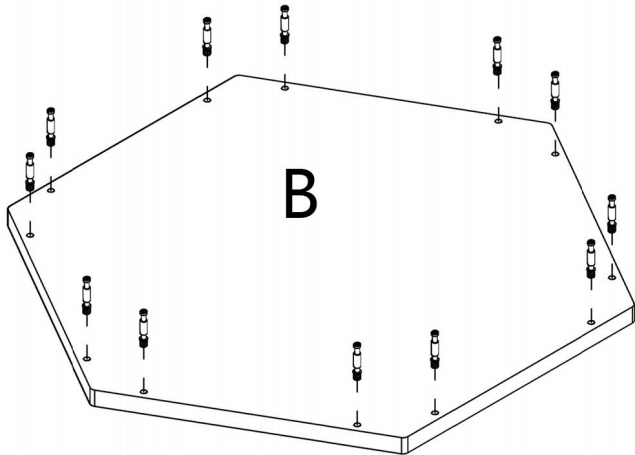
2



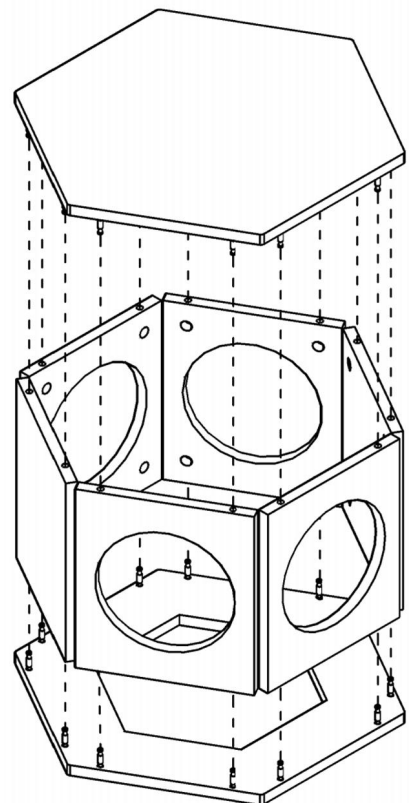
$b \times 12$

3

$a \times 12$



4



$b \times 12$

5

