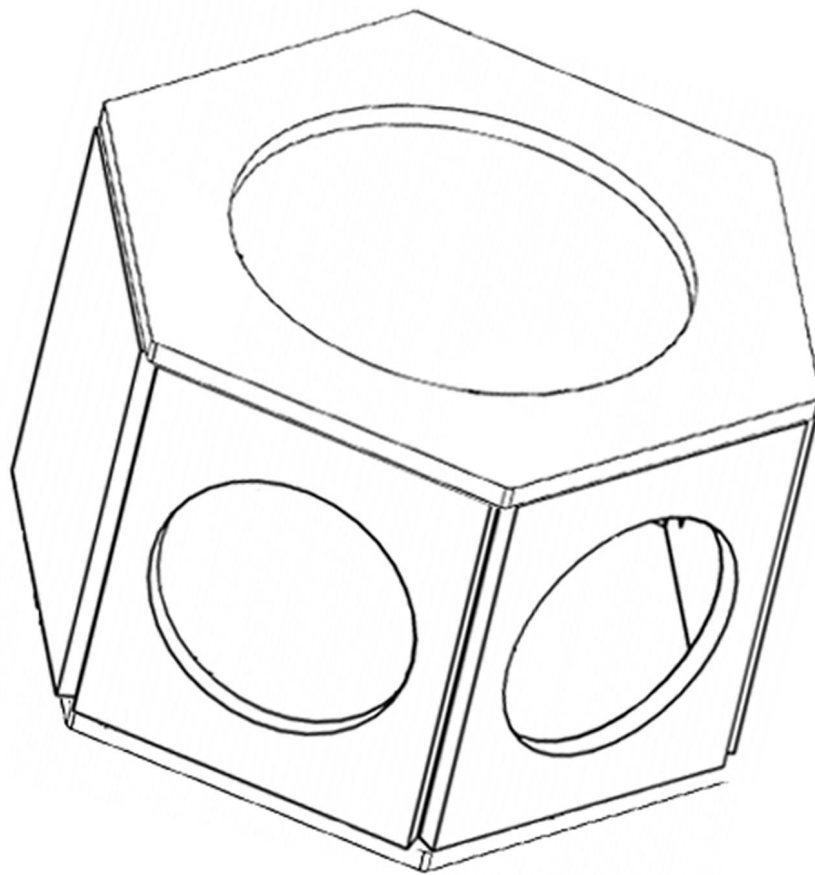


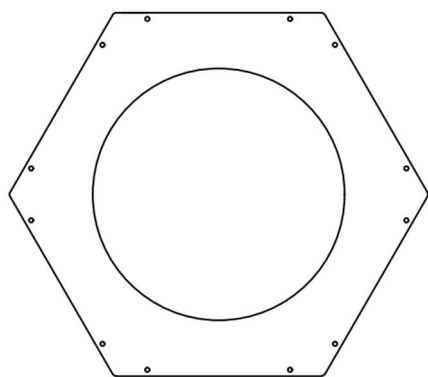
Large Cat Perch Instructions



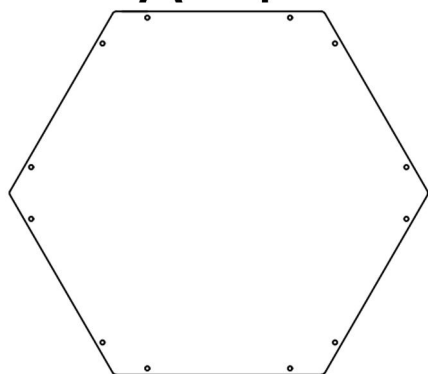
CM22



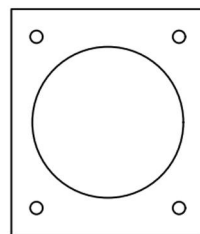
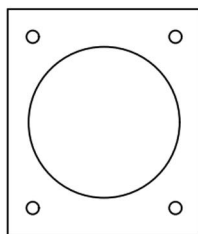
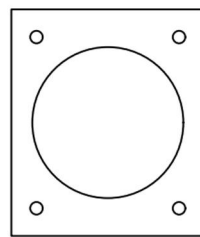
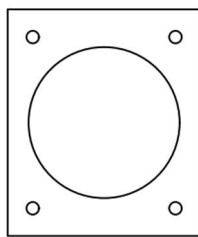
PET OMG



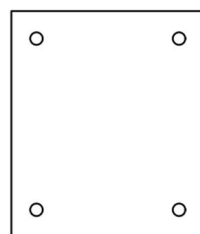
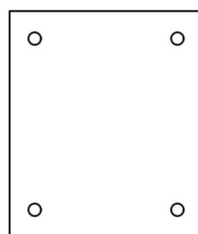
A × 1



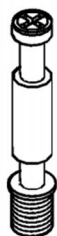
B × 1



C × 4



D × 2



a × 24



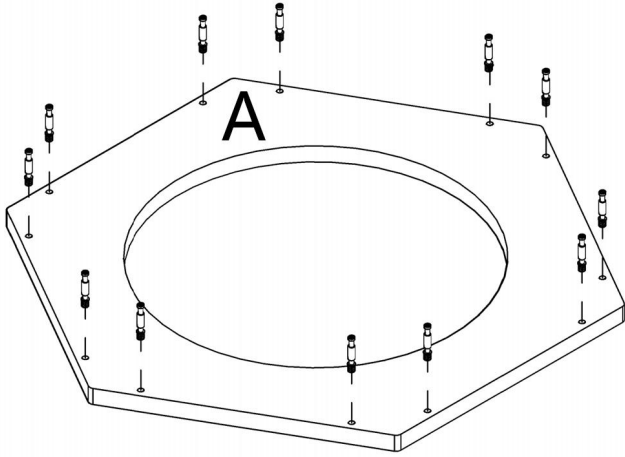
b × 24



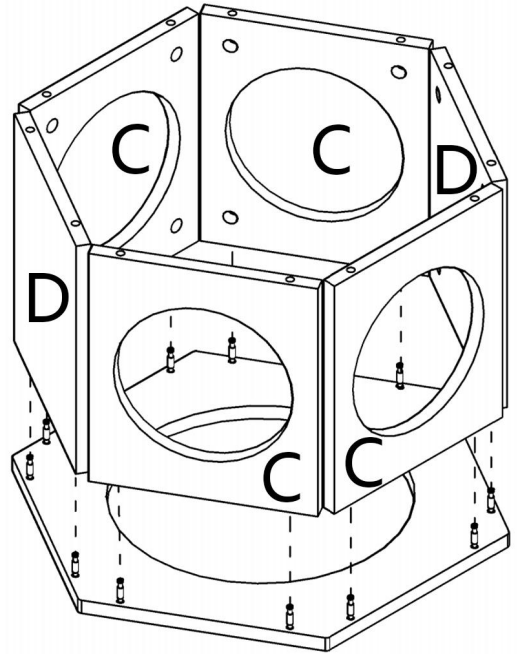
c × 4

1

$a \times 12$



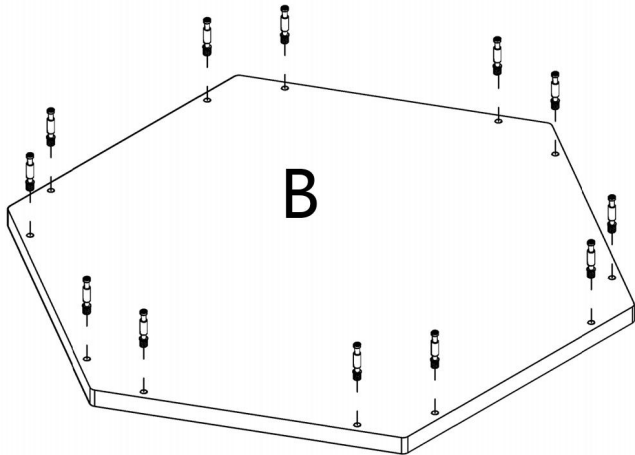
2



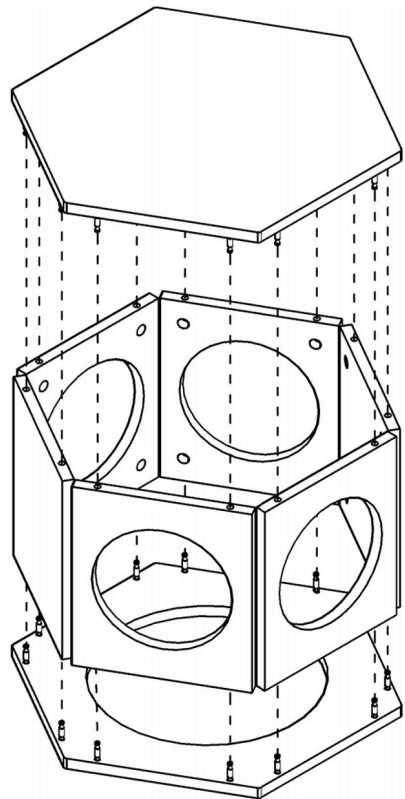
$b \times 12$

3

$a \times 12$



4



$b \times 12$

5

