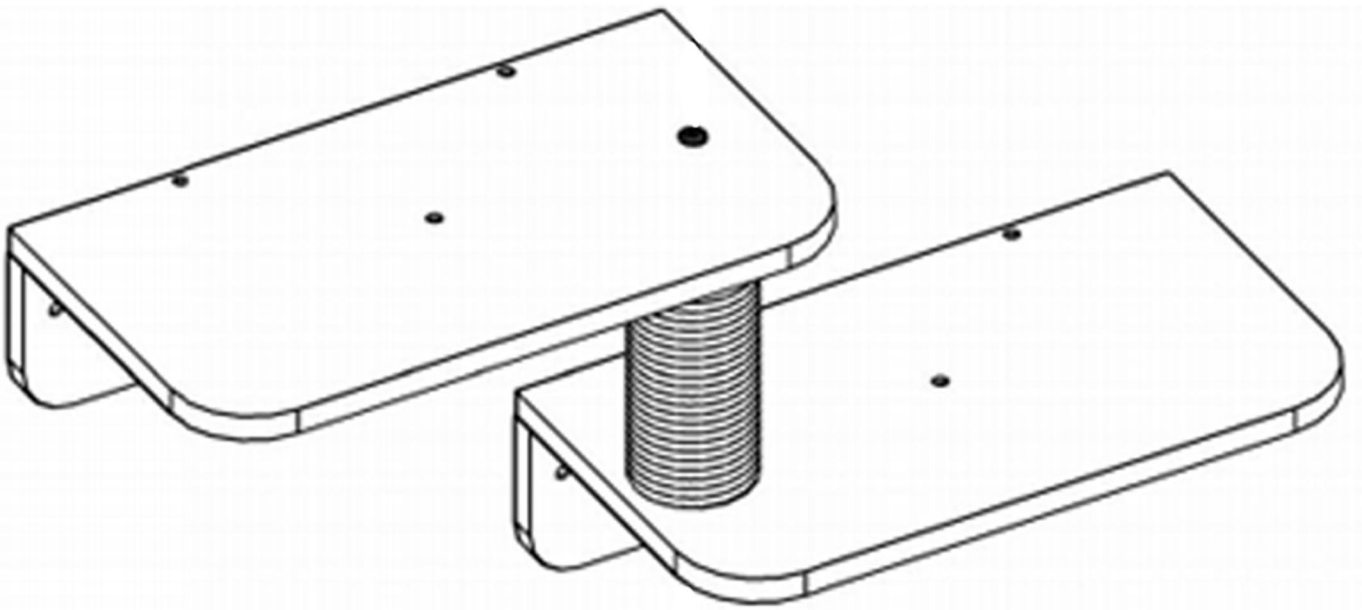


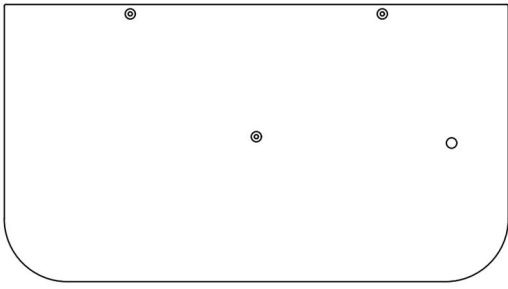
Medium Cat Wall Stepper Instructions



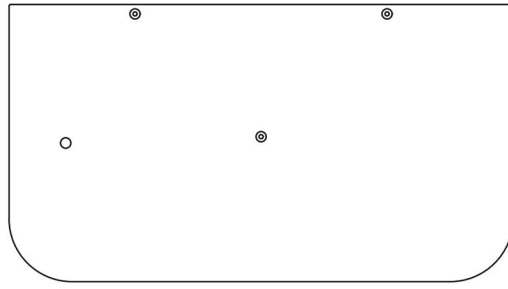
CM12



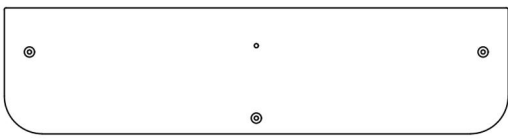
PETOMG[®]
Pet Home Decor



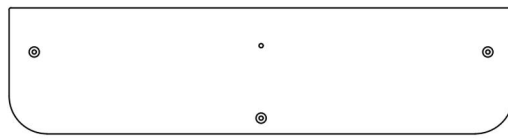
A x 1



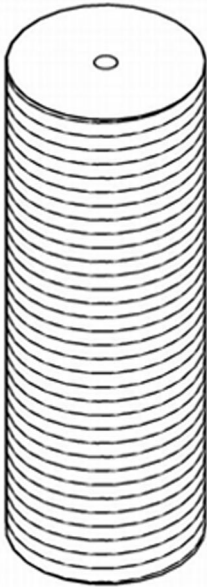
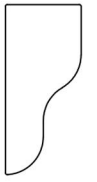
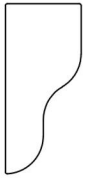
B x 1



C x 2



D x 2



a x 1



For drywall
x 8



b x 8



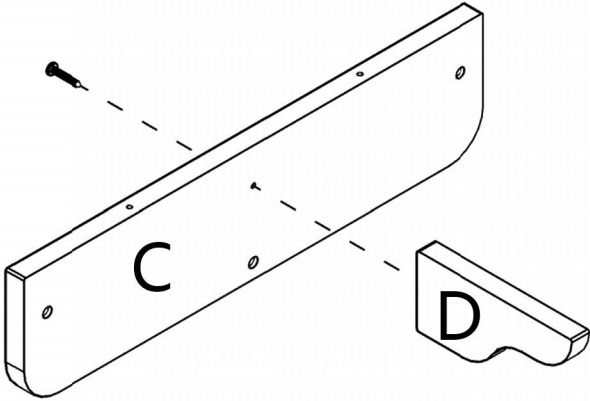
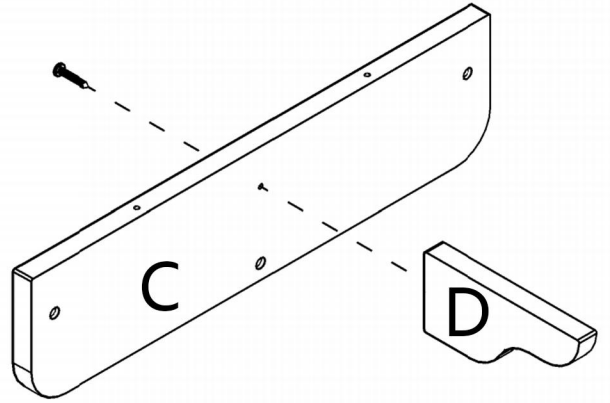
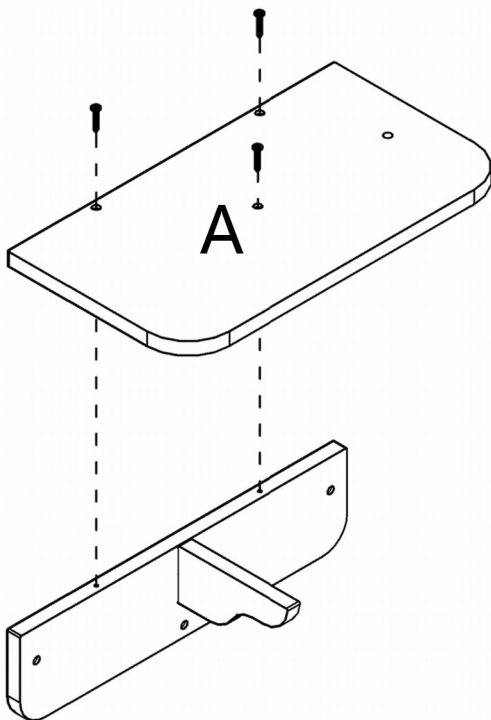
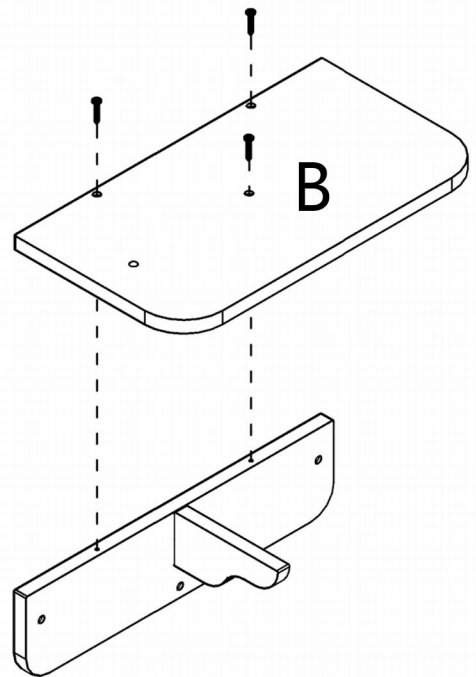
Solid wall
x 8



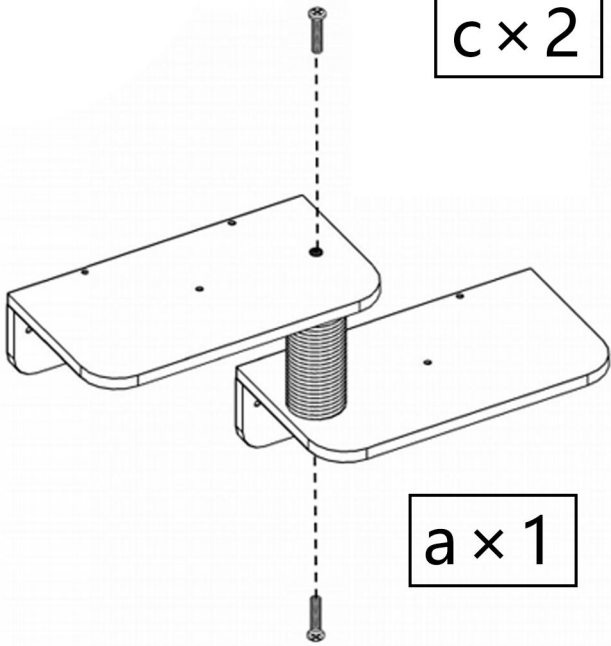
c x 2



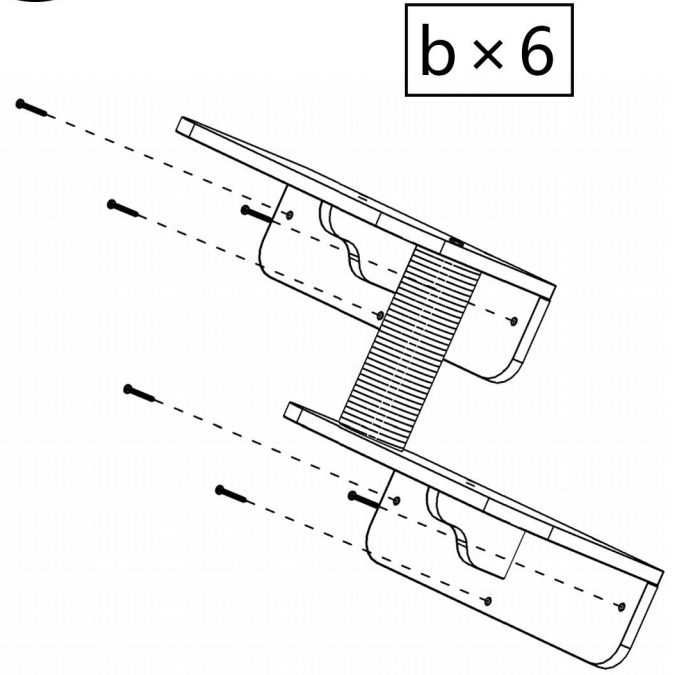
d x 10

1 $d \times 1$ **2** $d \times 1$ **3** $d \times 3$ **4** $d \times 3$ 

5



6



7

