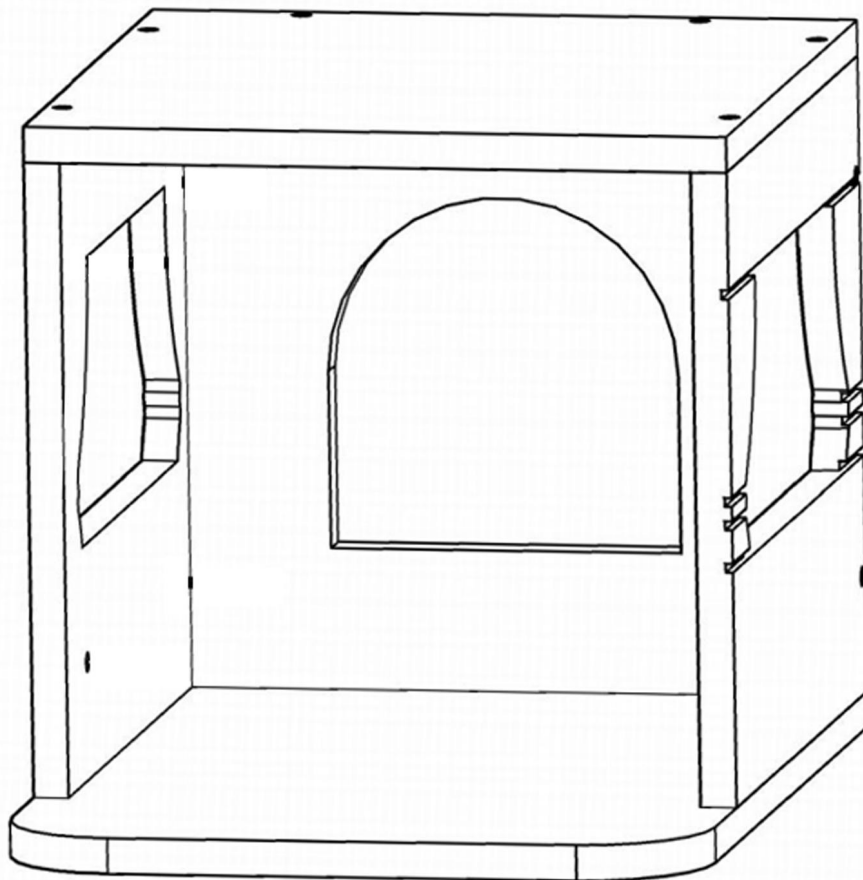


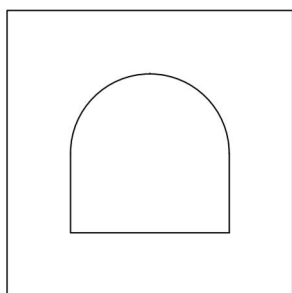
Large Cat Perch Instructions



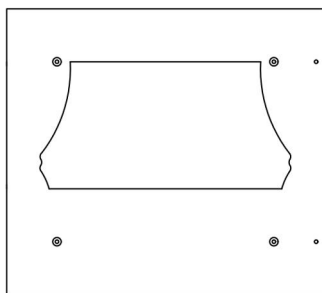
CM11



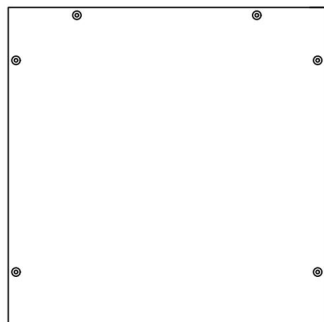
PET OMG



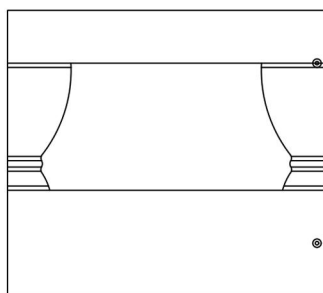
A × 1



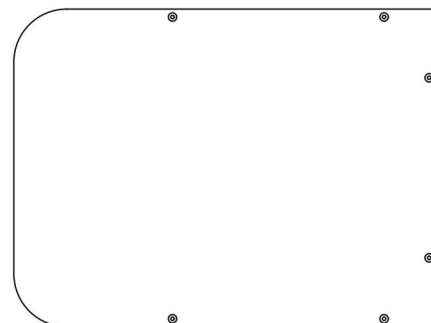
B × 1



C × 1



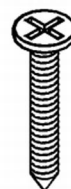
D × 1



E × 1



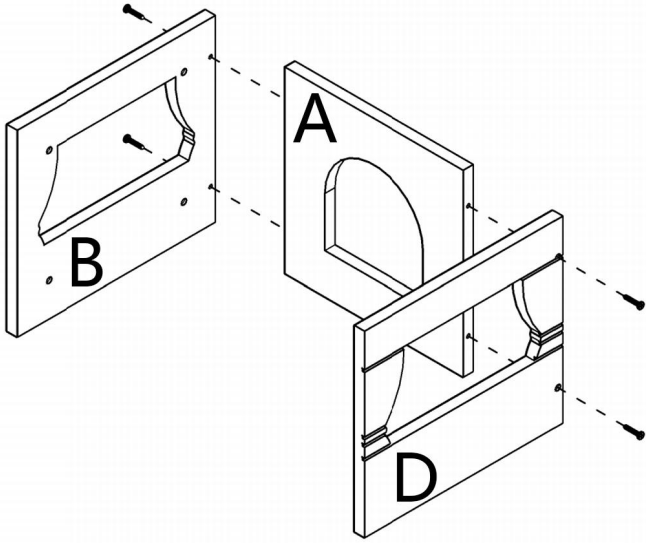
a × 6



b × 16

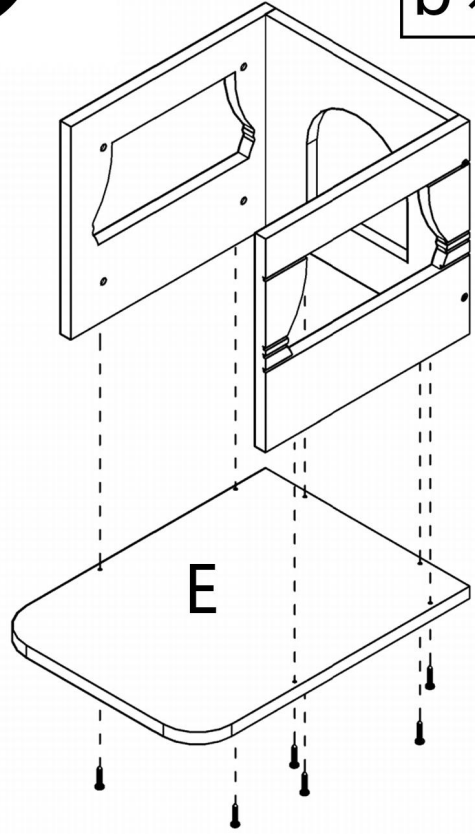
1

$b \times 4$



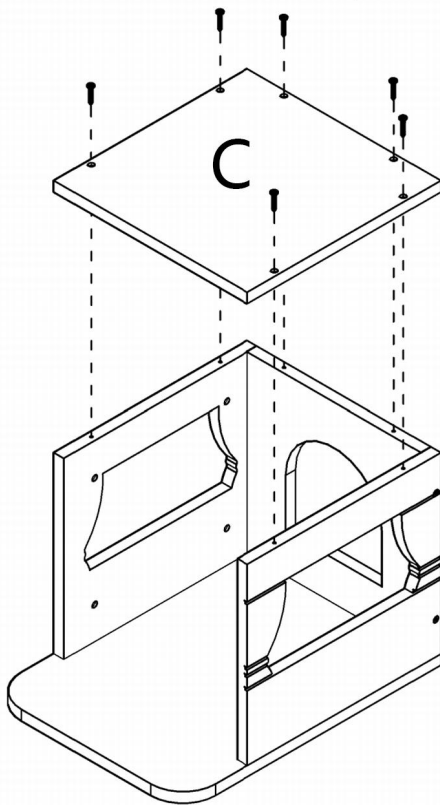
2

$b \times 6$



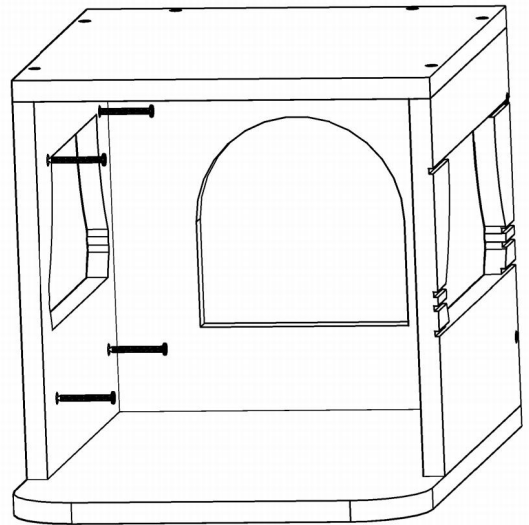
3

$b \times 6$



4

$a \times 4$



5

