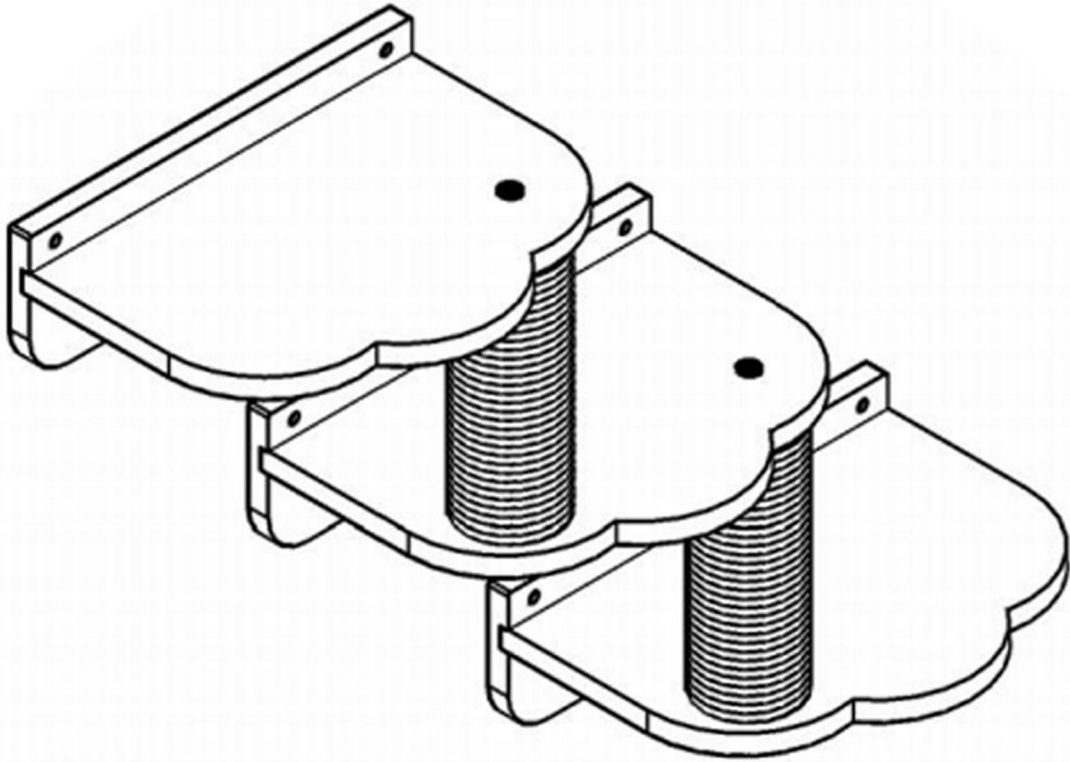


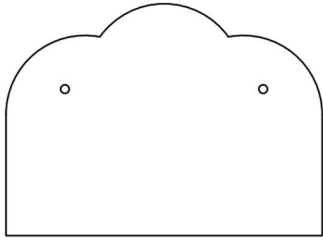
Medium Cat Wall Stepper Instructions



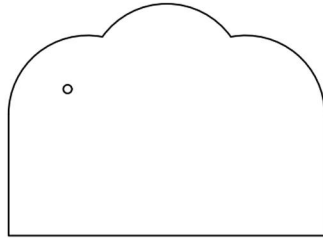
CM08



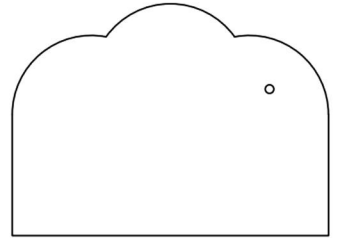
PETOMG[®]
Pet Home Decor



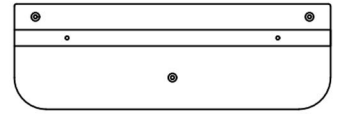
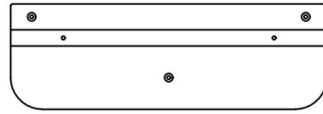
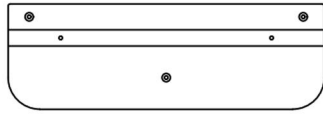
A x 1



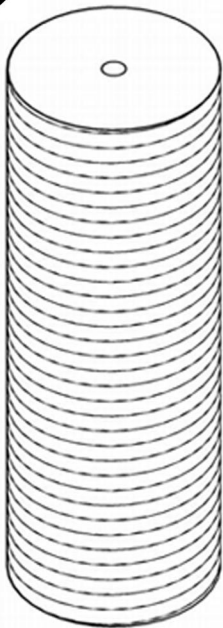
B x 1



C x 1



D x 3



a x 2



For drywall
x 11



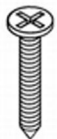
Solid wall
x 11



b x 11



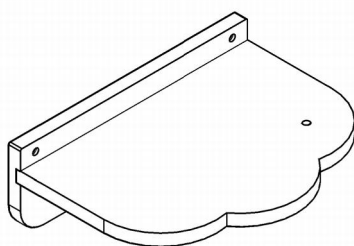
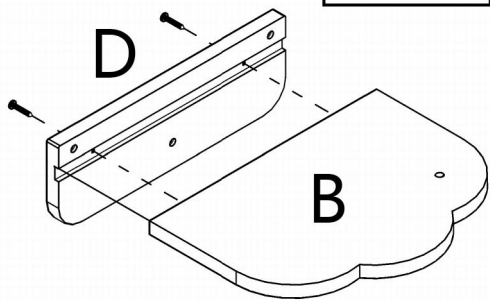
c x 4



d x 8

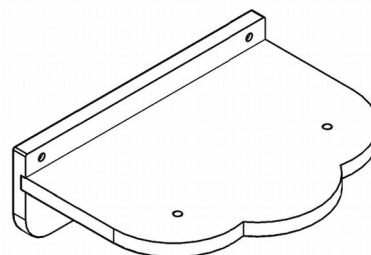
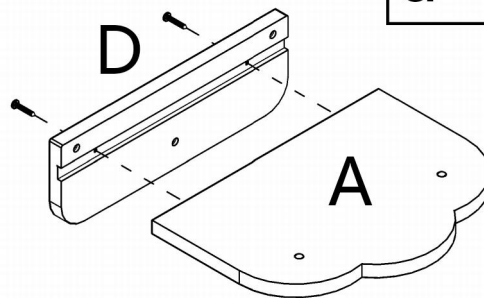
1

$d \times 2$



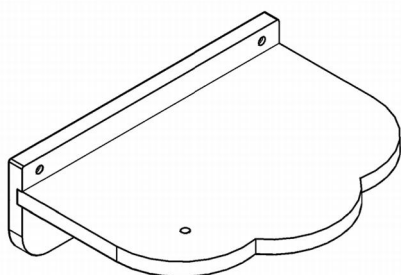
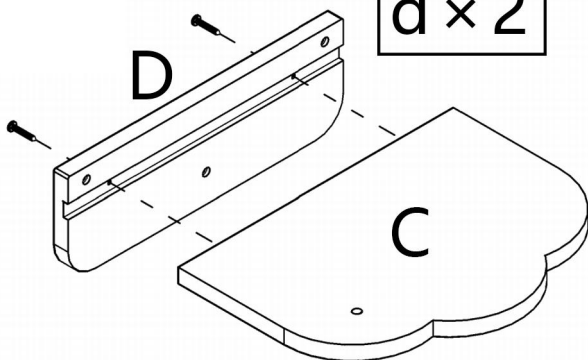
2

$d \times 2$



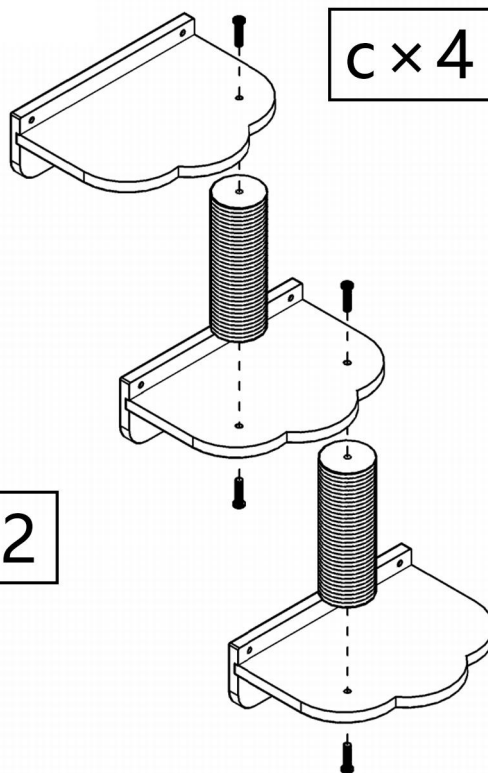
3

$d \times 2$



4

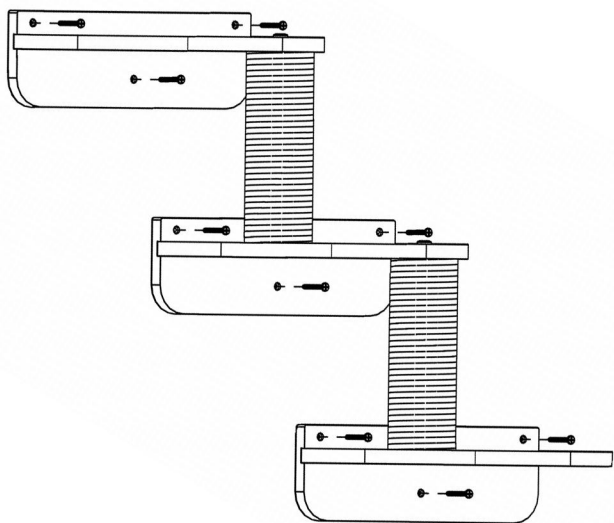
$c \times 4$



$a \times 2$

5

$b \times 9$



6

