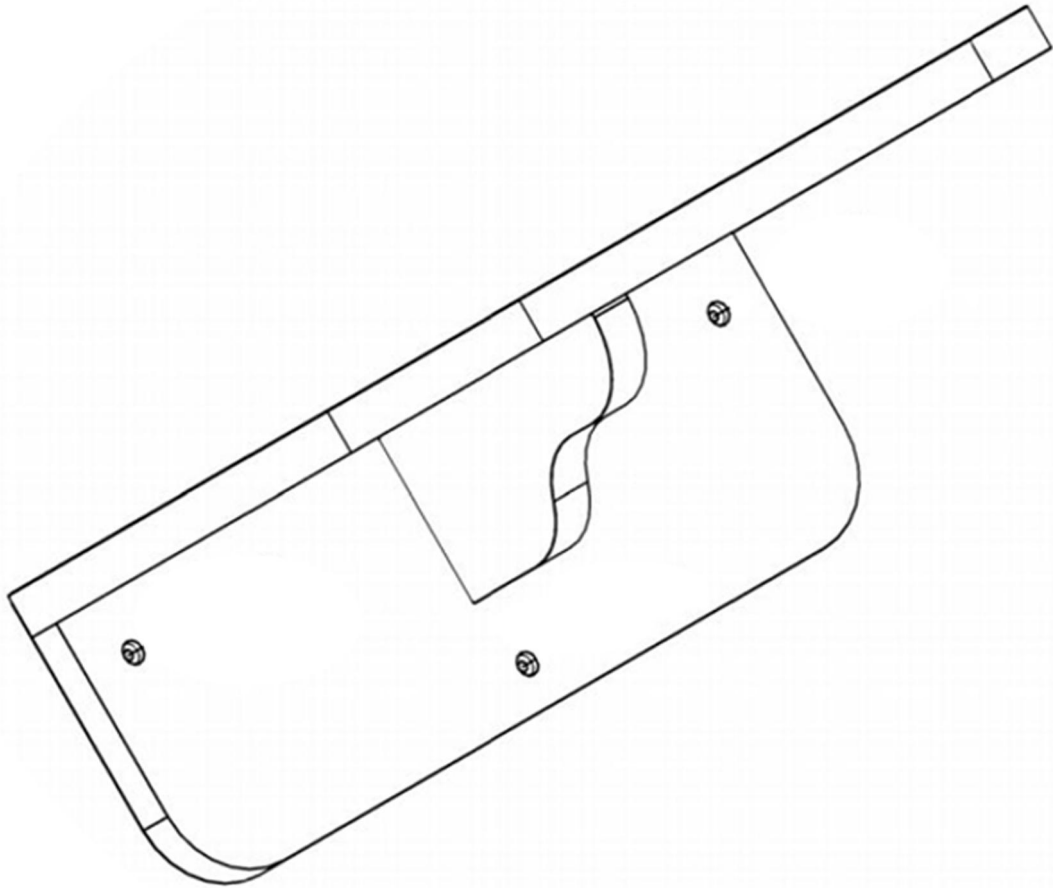


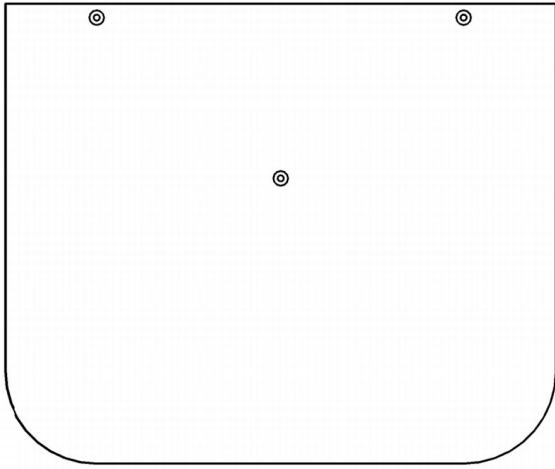
Cat Wall Stepper Instructions



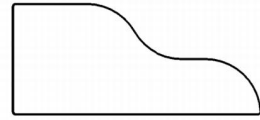
CM06



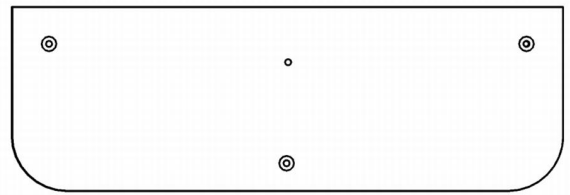
PETOMG



A × 1



C × 1



B × 1



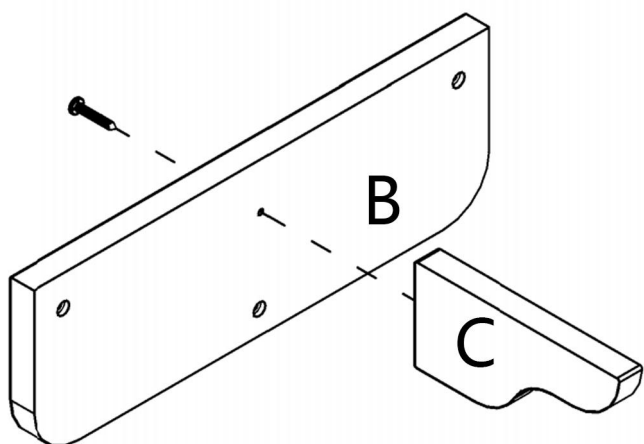
a × 3



b × 4

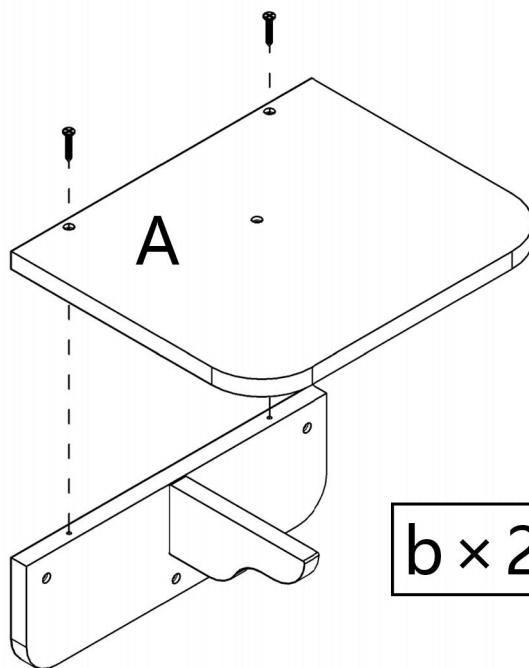
1

$b \times 1$



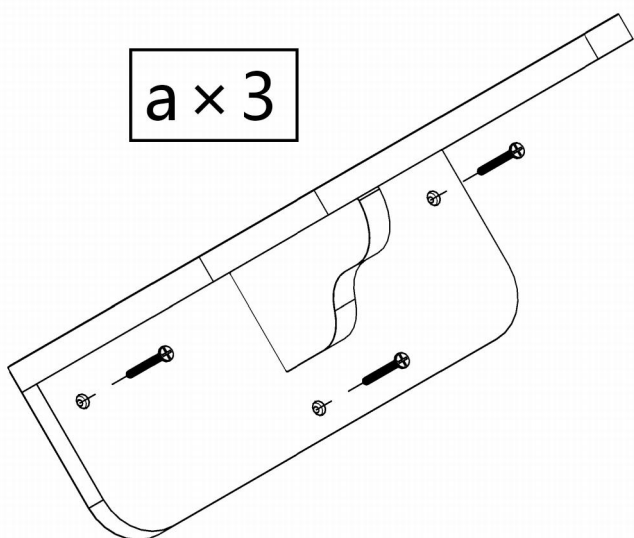
2

$b \times 2$



3

$a \times 3$



4

