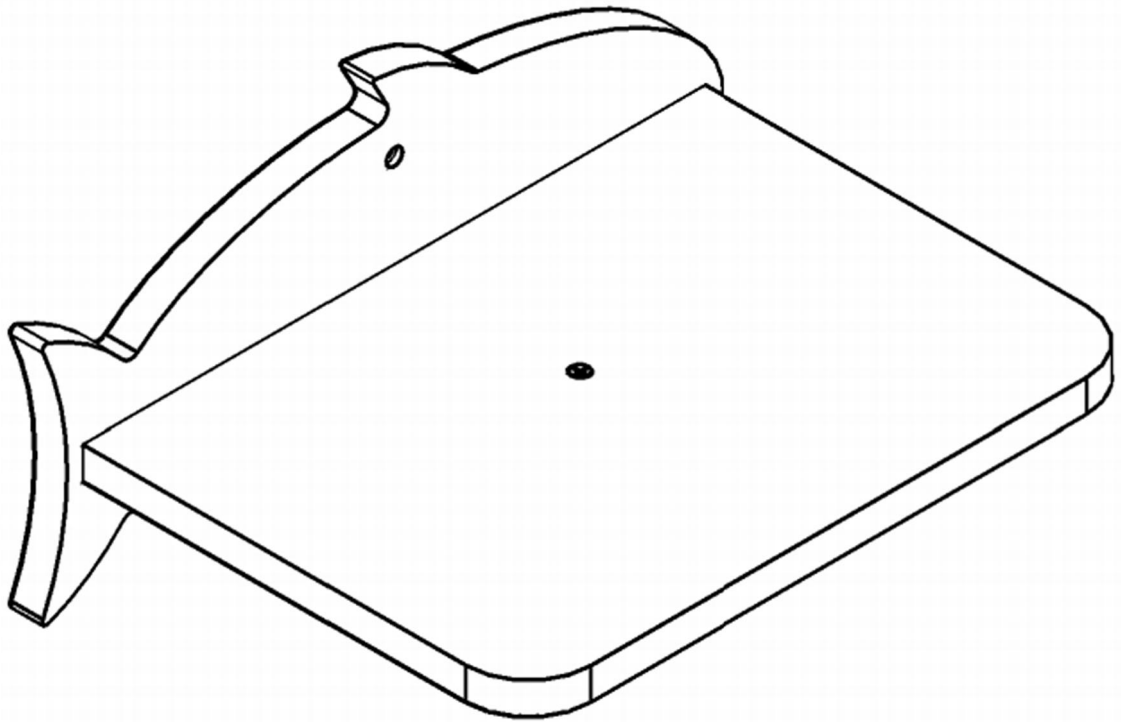


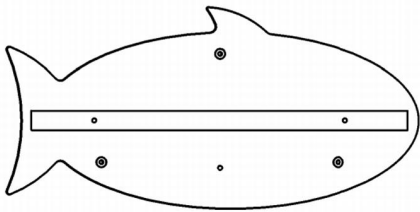
Cat Fish Style Wall Stepper Instructions



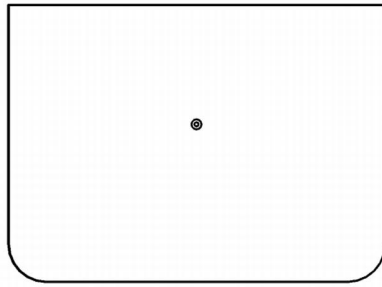
CM03



PETOMG



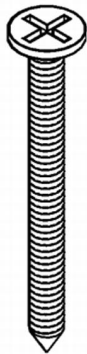
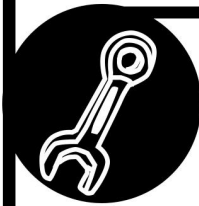
A × 1



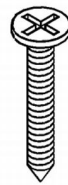
B × 1



C × 1

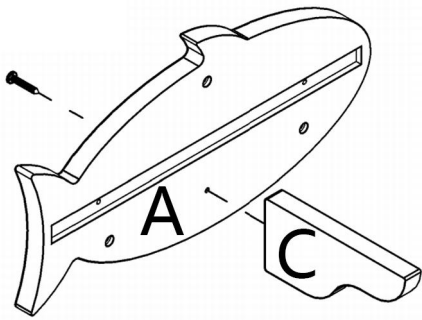


a × 3

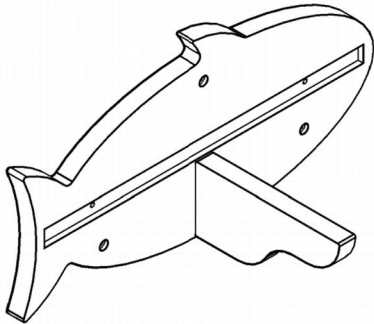


b × 4

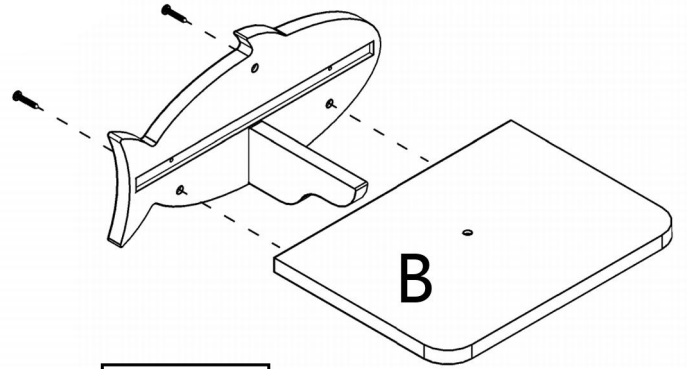
1



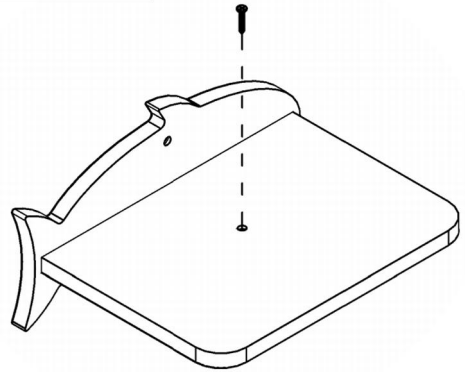
$b \times 1$



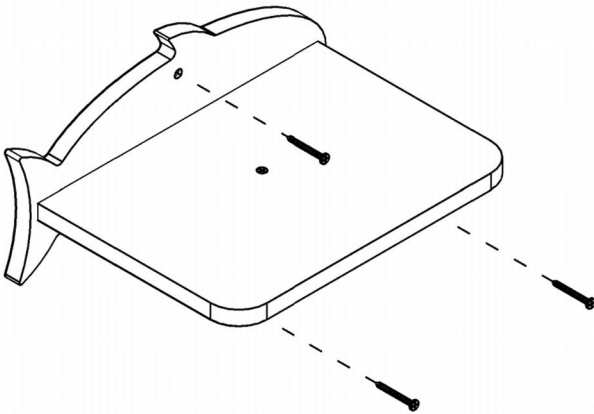
2



$b \times 3$



3



$a \times 3$

4

