



PET OMG

Cat Wall Furniture Instructions

CM000020

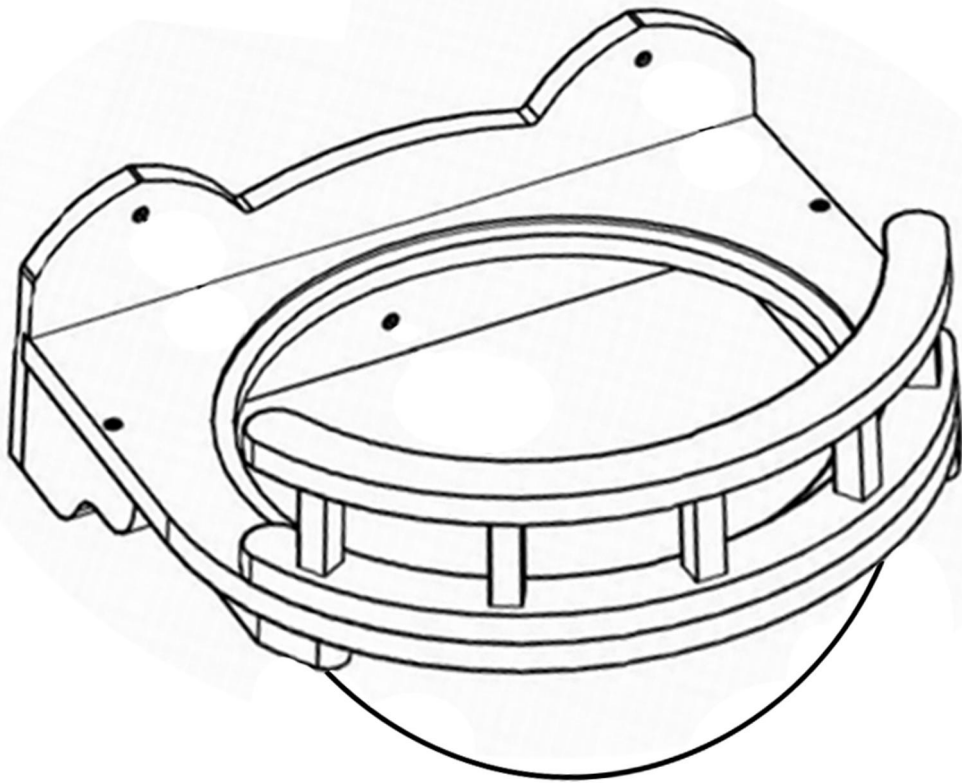
Table of contents

CM09.....1

CM12.....5

CM05.....9

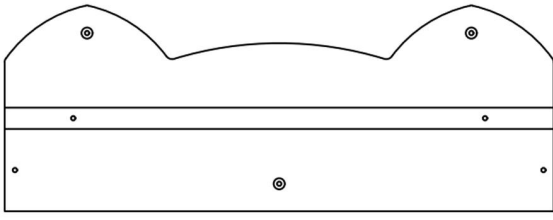
Cat Space Capsule Instructions



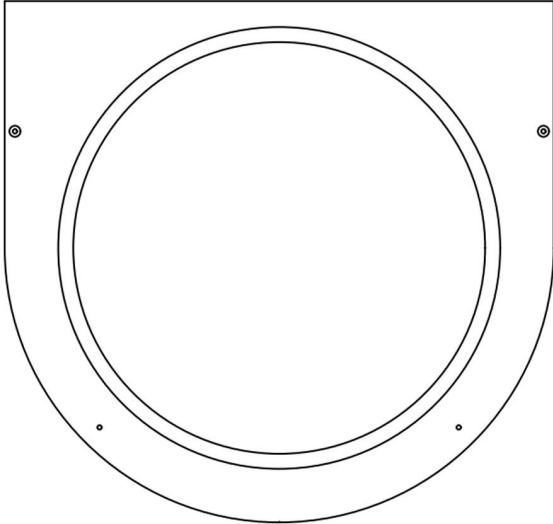
CM09



PETOMG



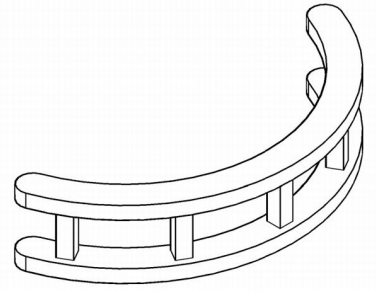
A × 1



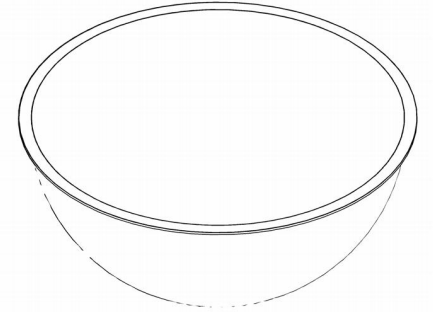
B × 1



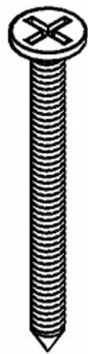
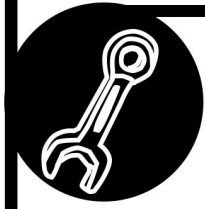
C × 2



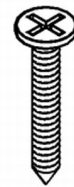
D × 1



E × 1



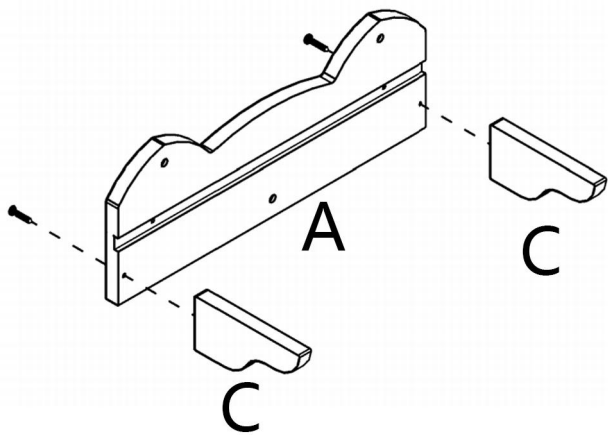
a × 3



b × 8

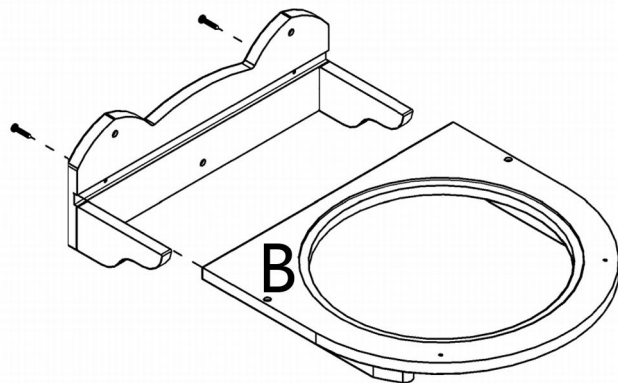
1

b × 2



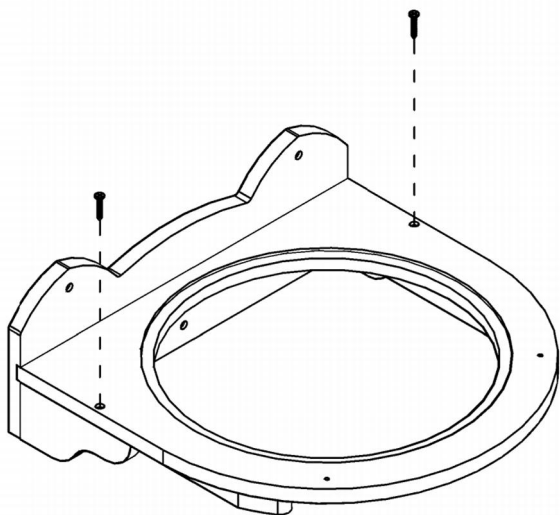
2

b × 2



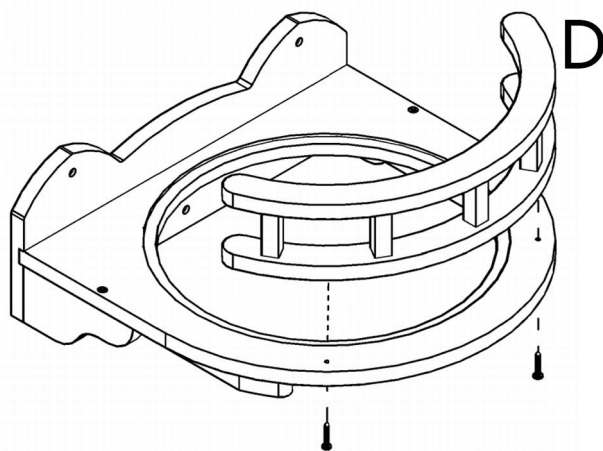
3

b × 2



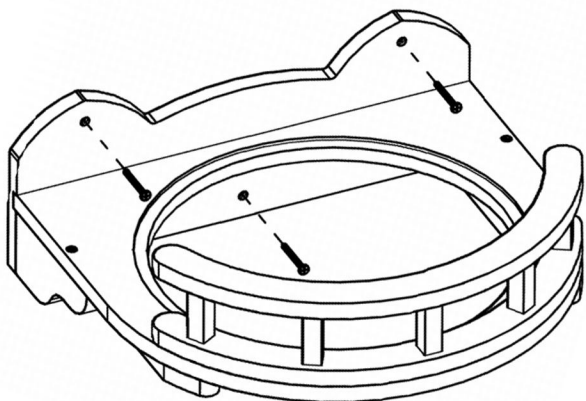
4

b × 2



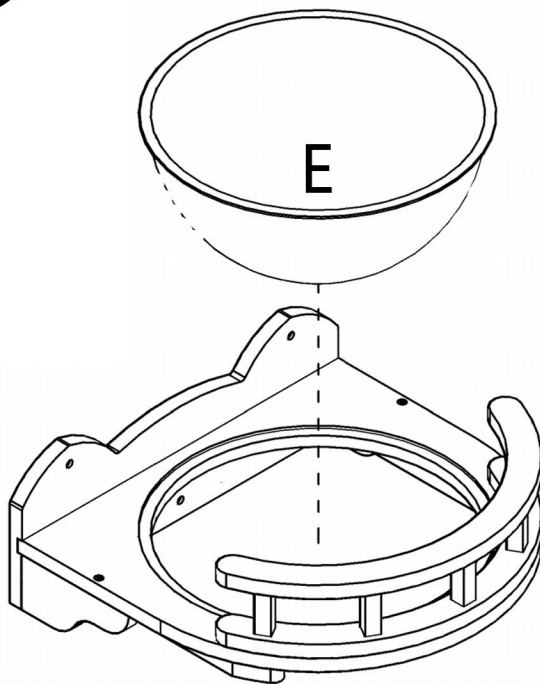
5

a x 3

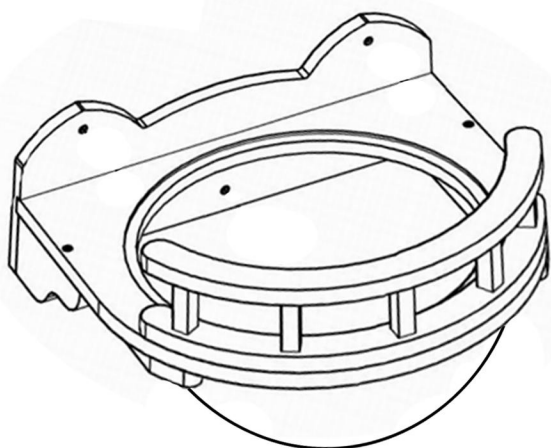


6

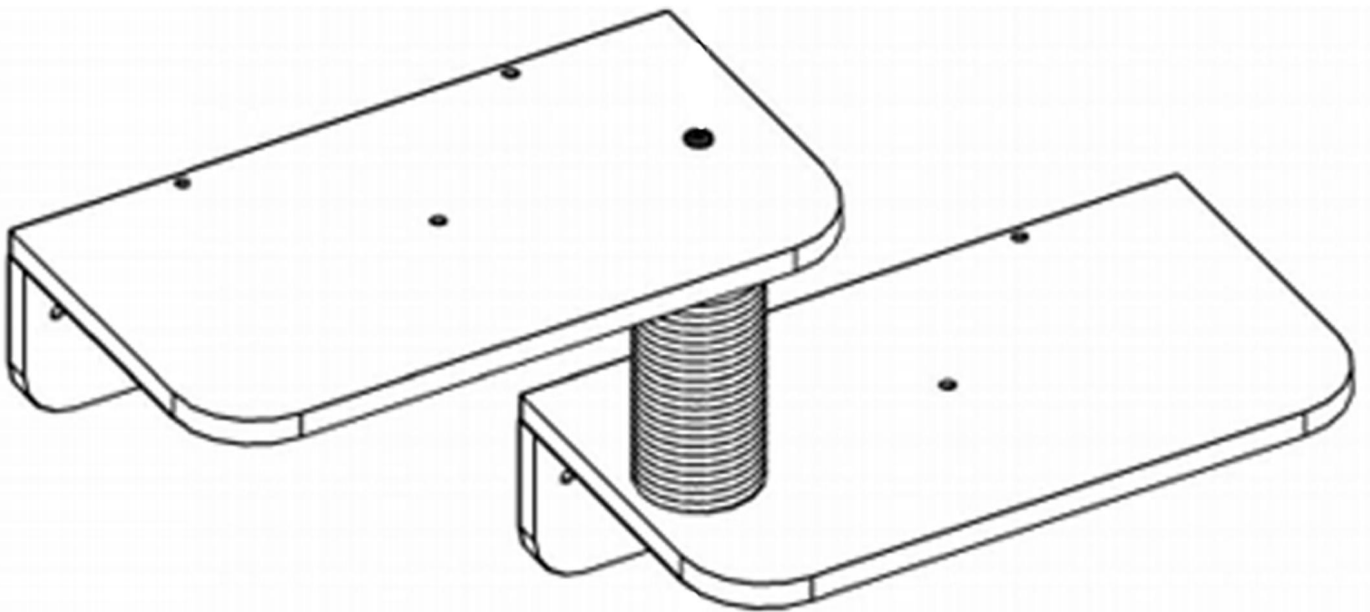
E



7



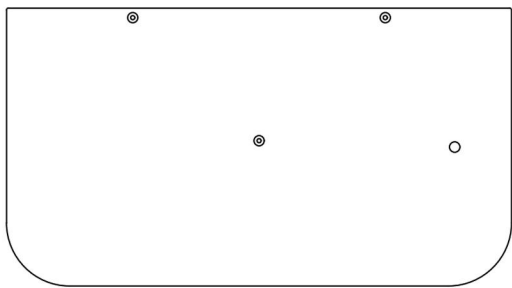
Medium Cat Wall Stepper Instructions



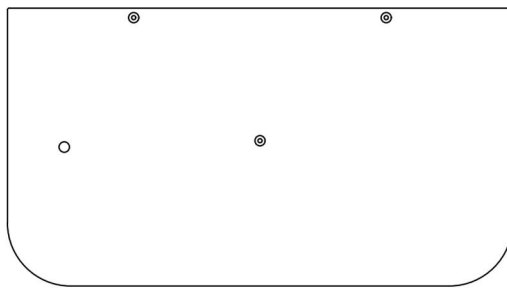
CM12



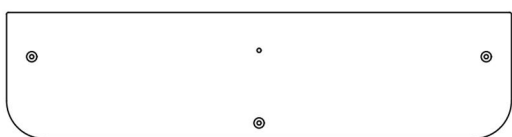
PET OMG



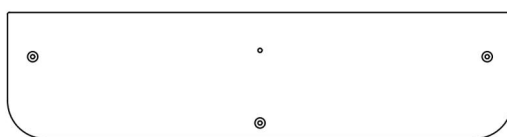
A × 1



B × 1



C × 2



D × 2



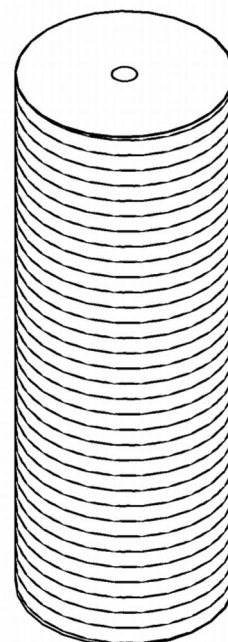
a × 8



b × 2



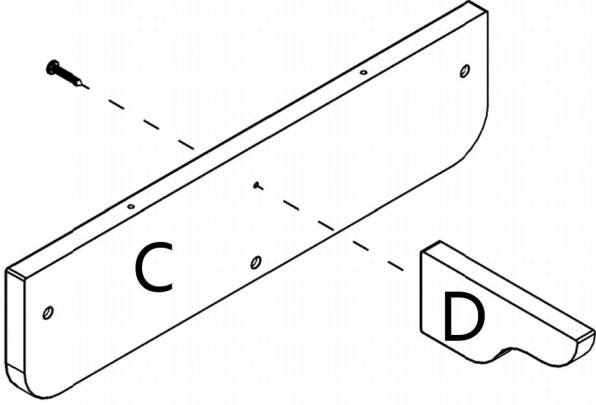
c × 6



d × 1

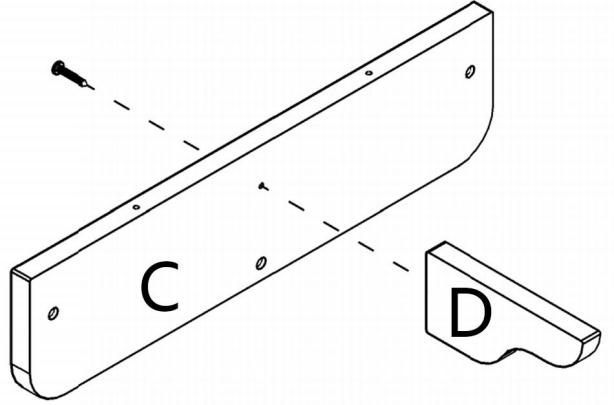
1

a x 1



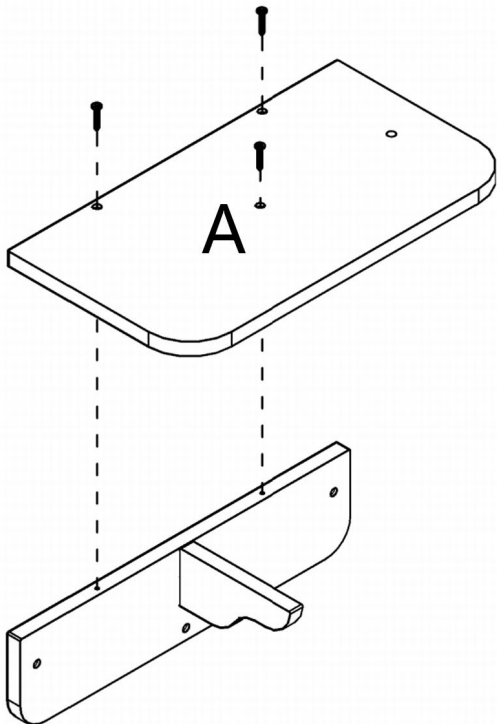
2

a x 1



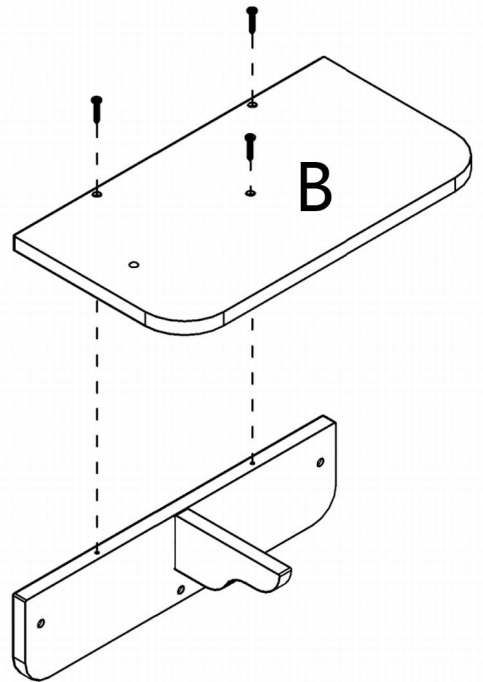
3

a x 3

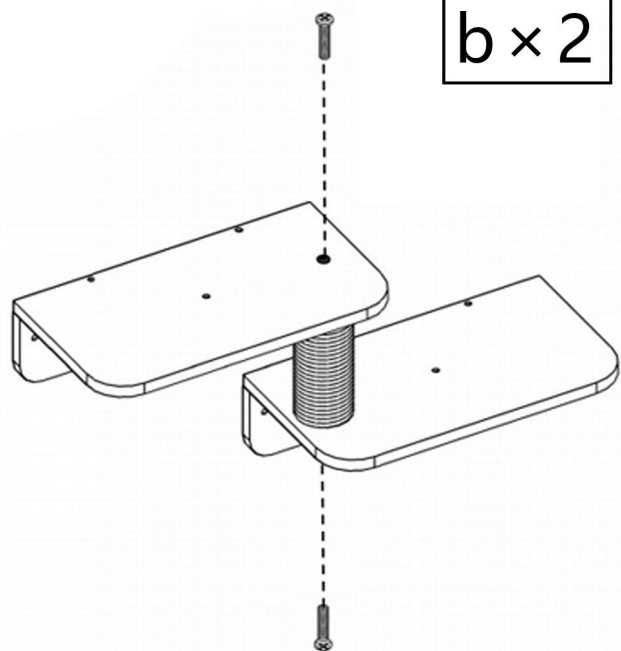


4

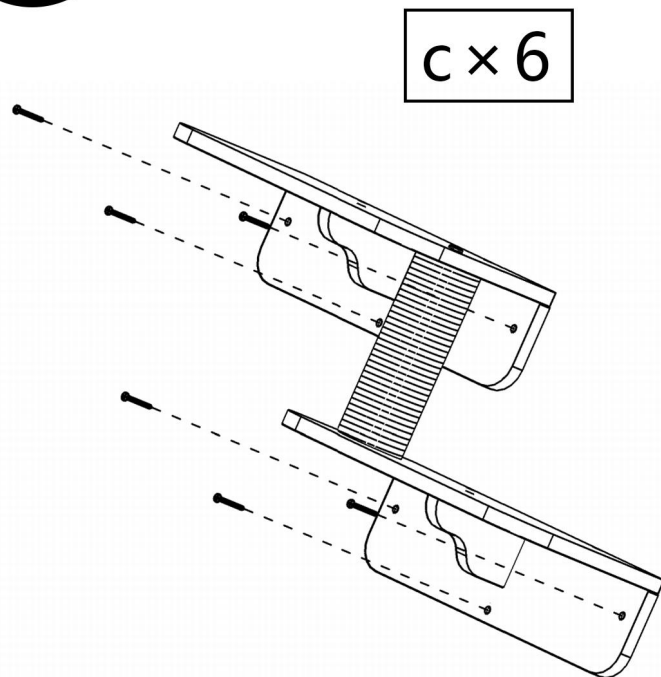
a x 3



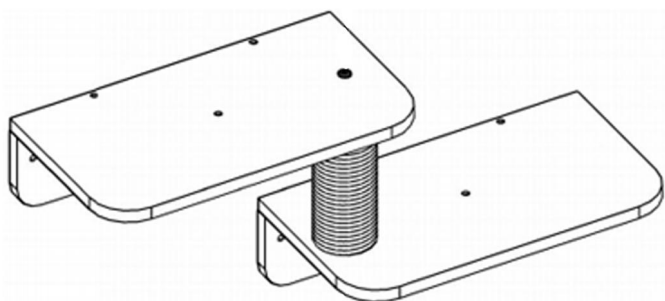
5



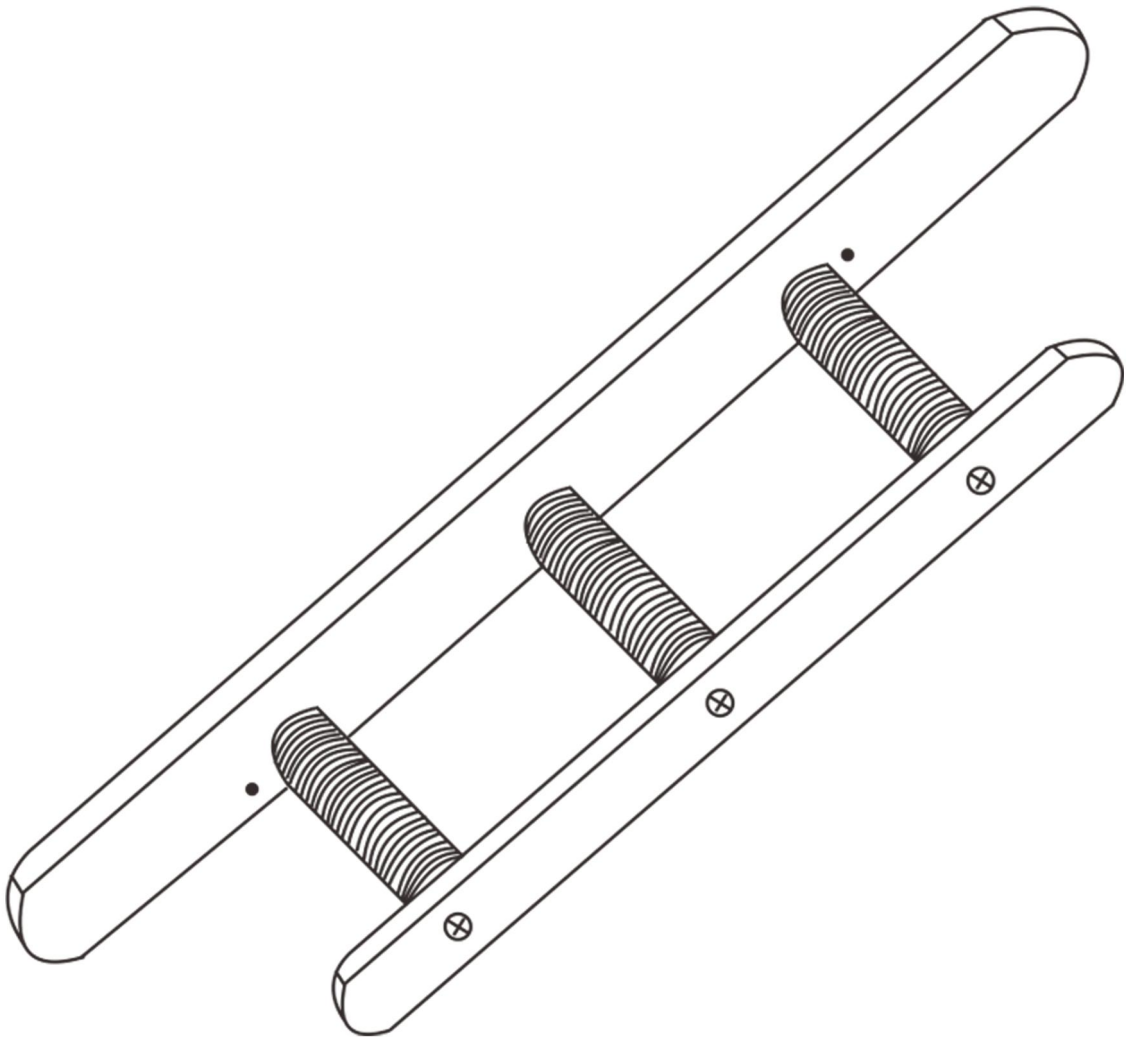
6



7



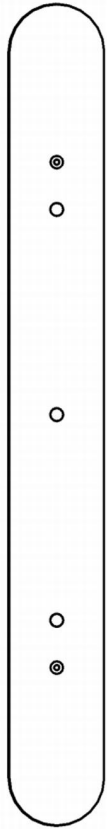
Cat Wall Stepper Instructions



CM05



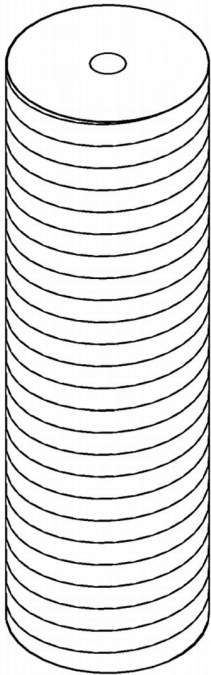
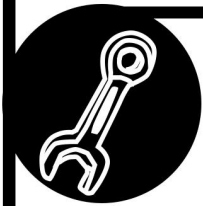
PETOMG



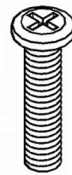
$A \times 1$



$B \times 1$



$a \times 3$

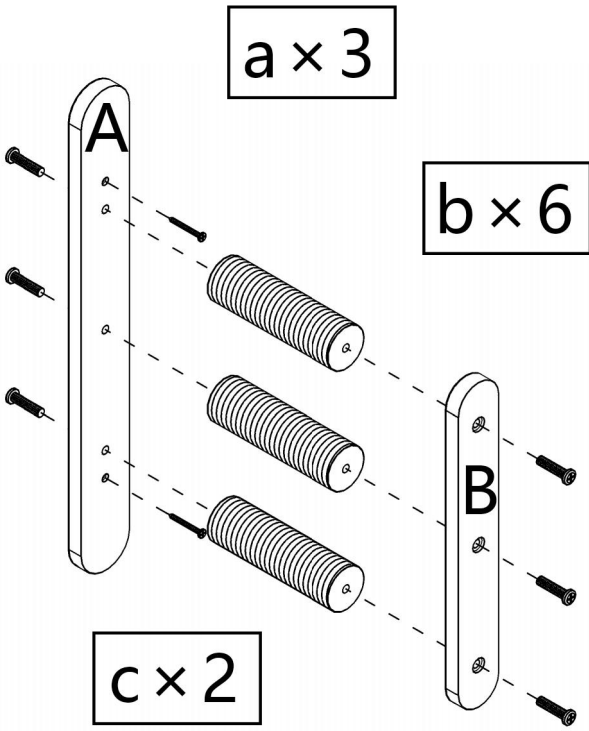


$b \times 6$



$c \times 2$

1



2

