



**PET OMG**

# Cat Wall Furniture Instructions

## CM000010

### Table of contents

---

**CM06.....1**

**CM08.....4**

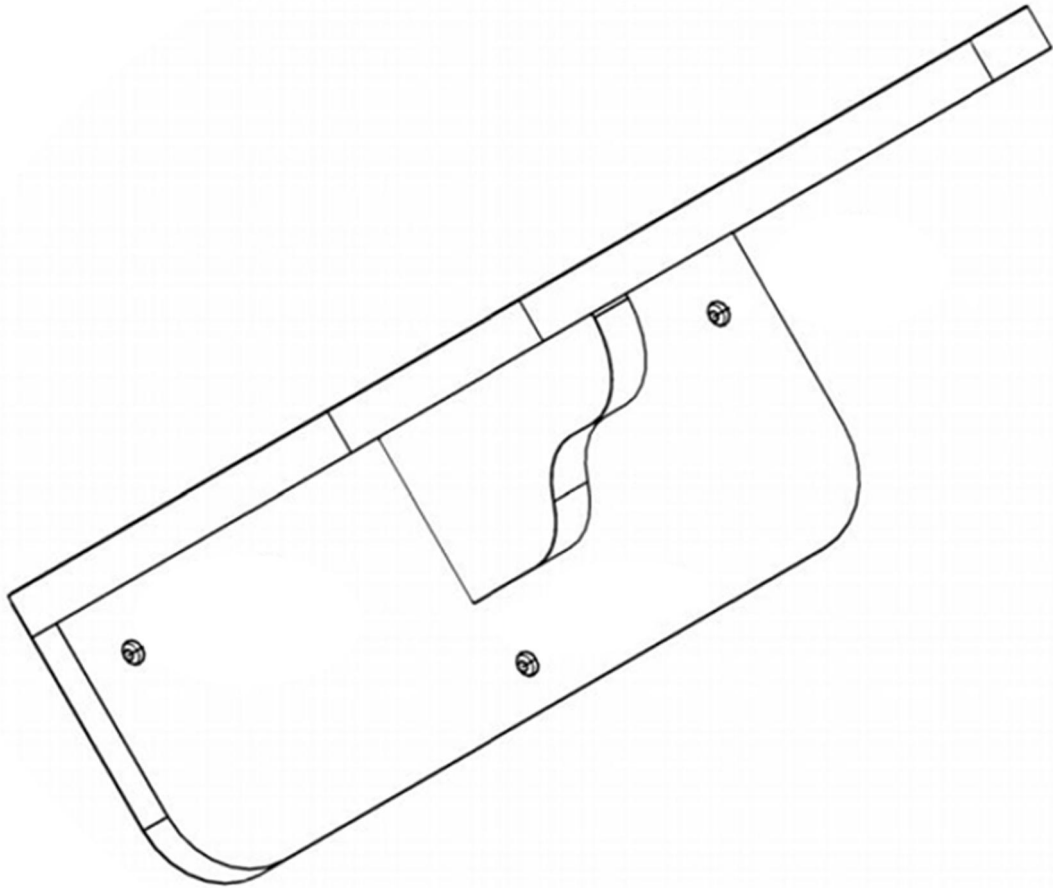
**CM26.....8**

**CM23.....11**

**CM21.....15**

**CM24.....19**

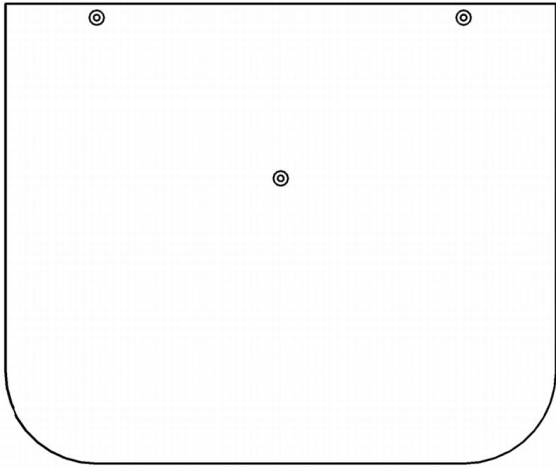
# Cat Wall Stepper Instructions



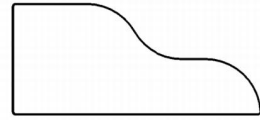
# CM06



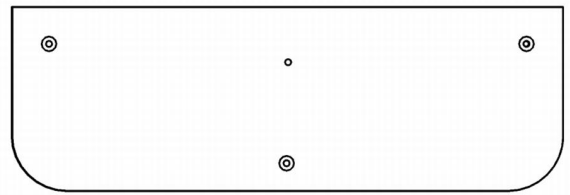
**PETOMG**



A × 1



C × 1



B × 1



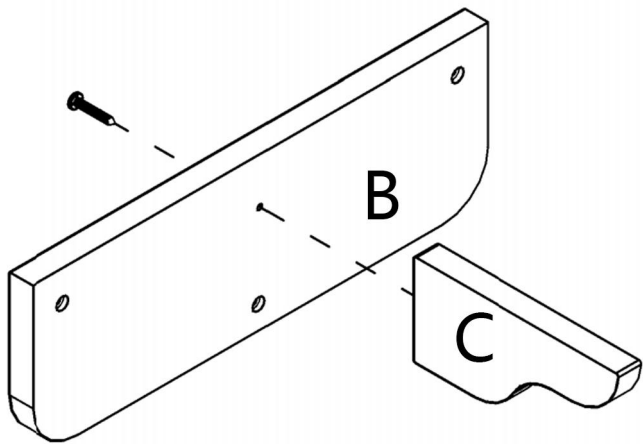
a × 3



b × 4

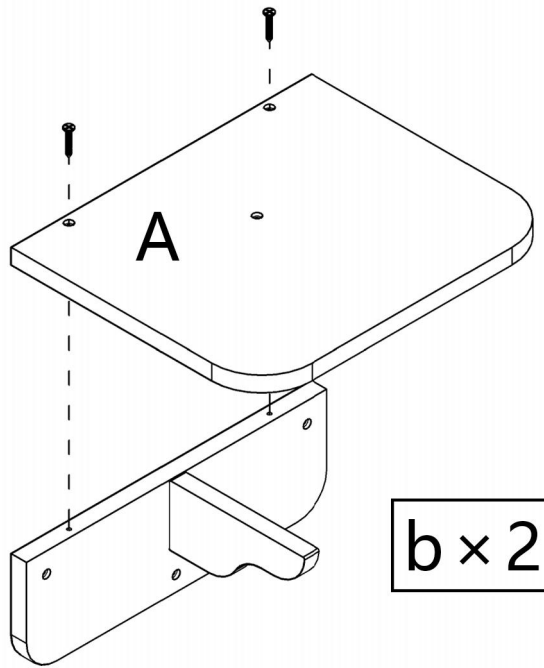
1

$b \times 1$



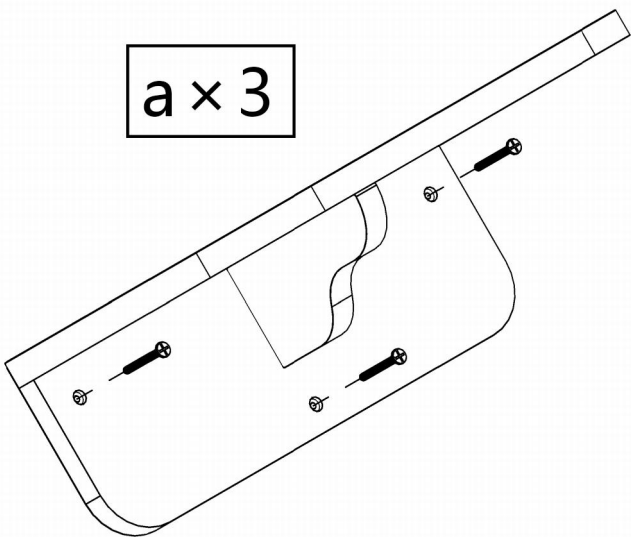
2

$b \times 2$

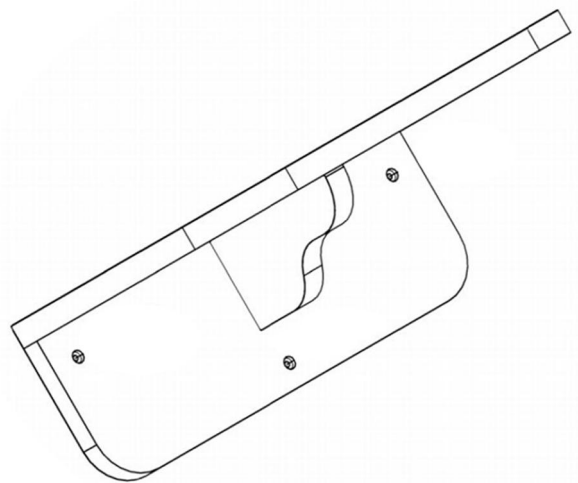


3

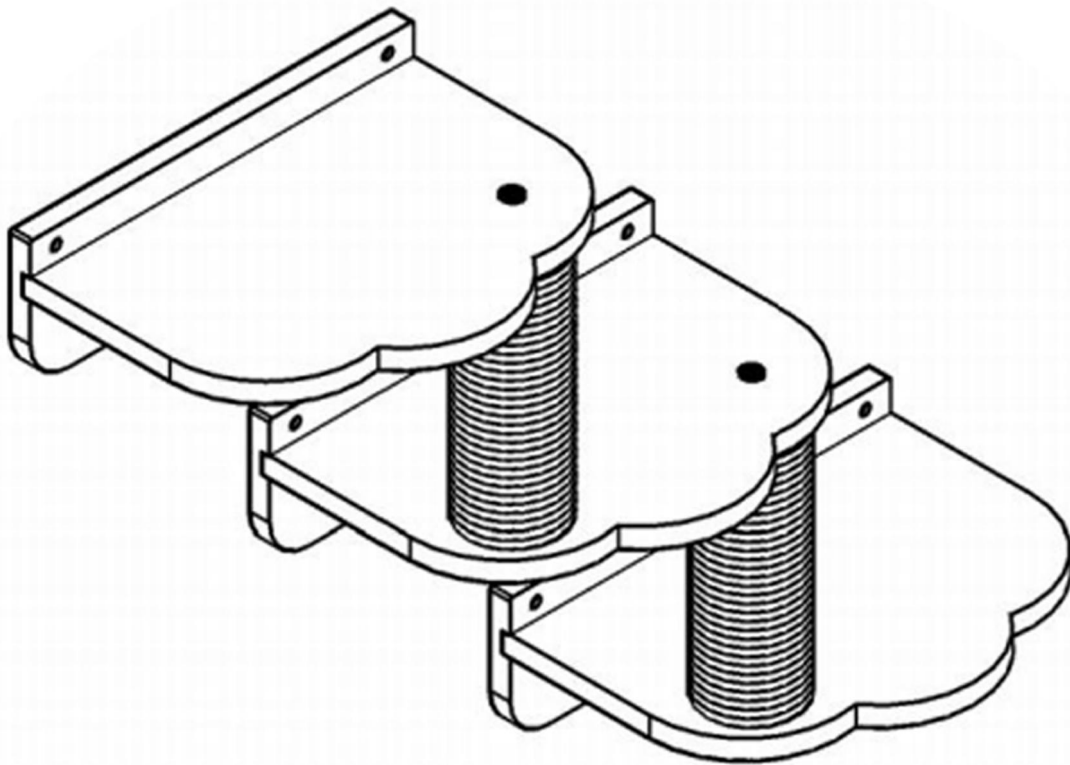
$a \times 3$



4



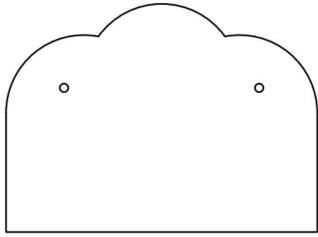
# Medium Cat Wall Stepper Instructions



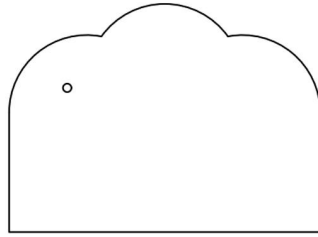
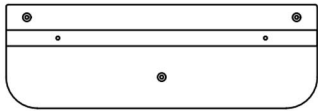
## CM08



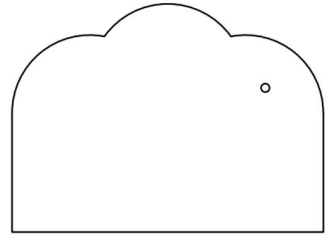
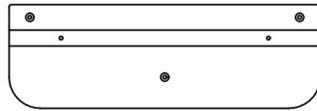
**PETOMG**



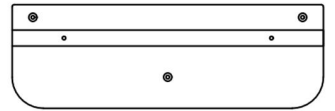
A × 1



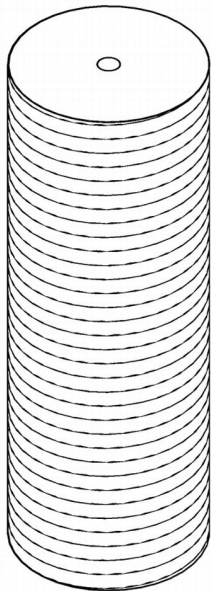
B × 1



C × 1



D × 3



a × 2



b × 9

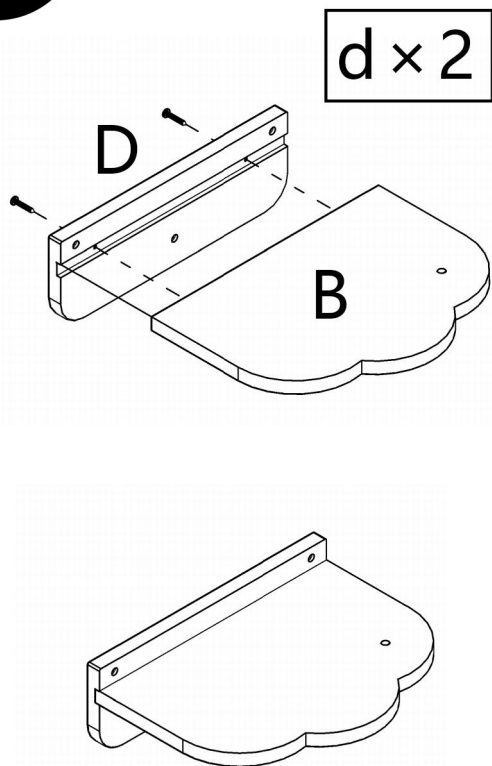


c × 4

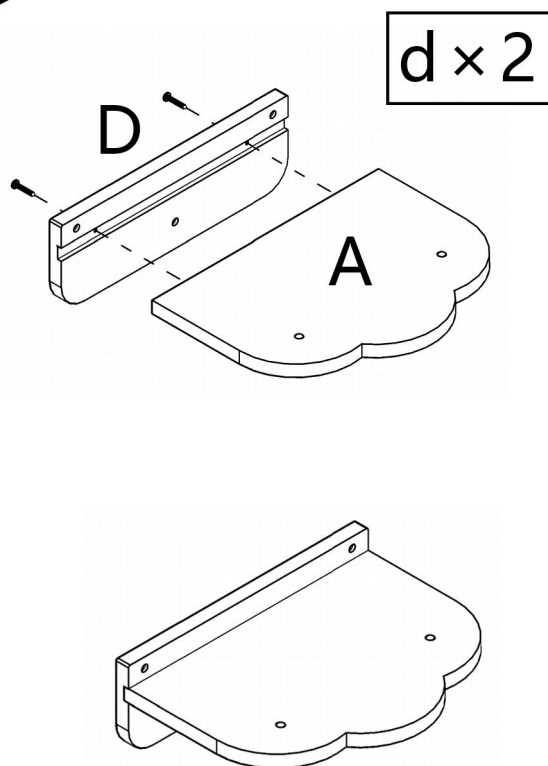


d × 6

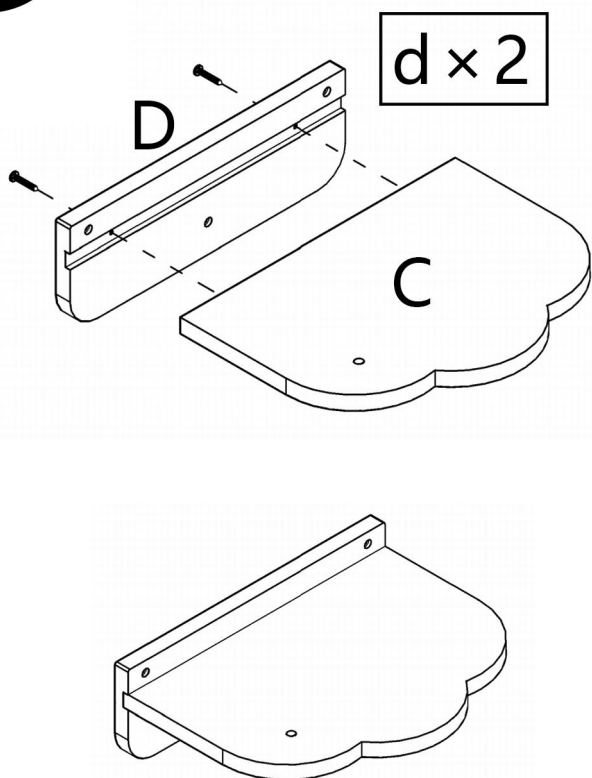
1



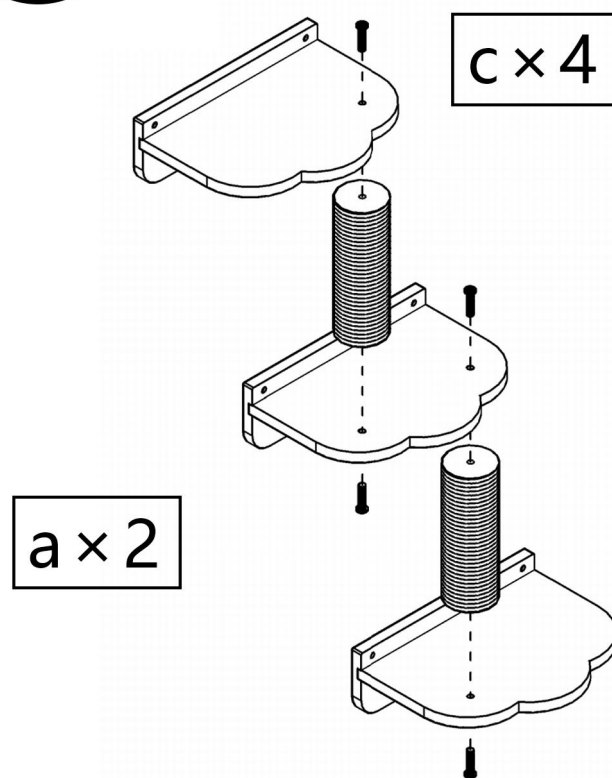
2



3

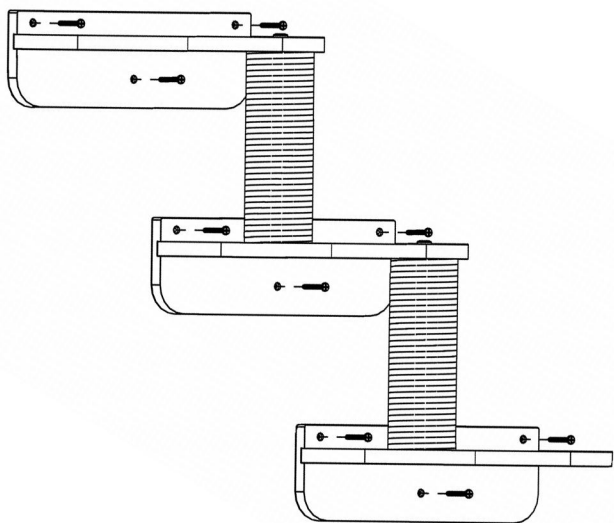


4

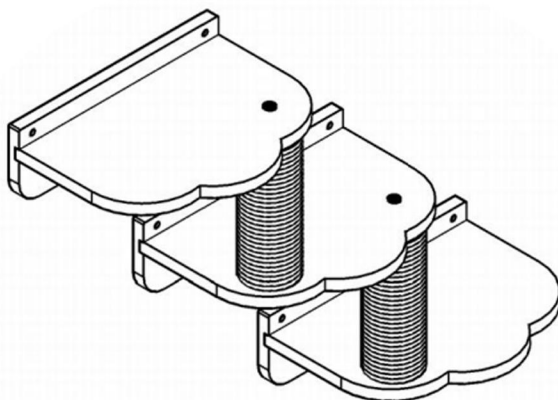


5

$b \times 9$

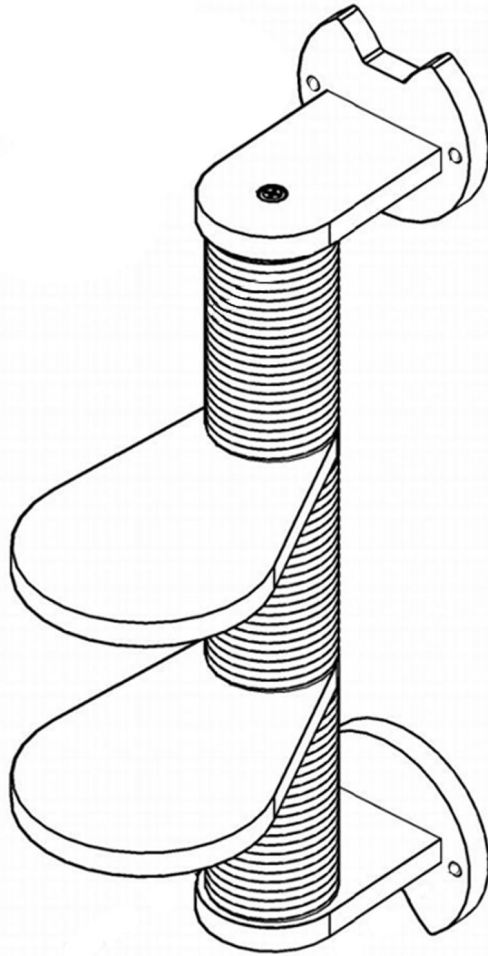


6





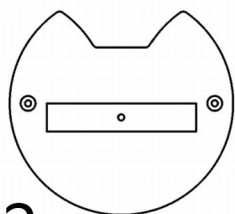
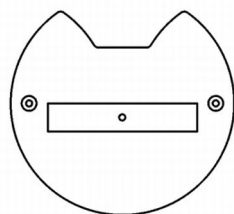
# Cat Wall Stepper Instructions



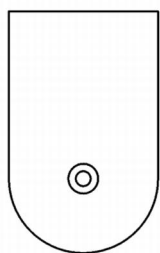
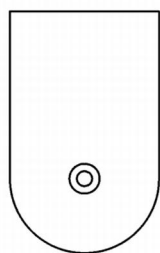
## CM21



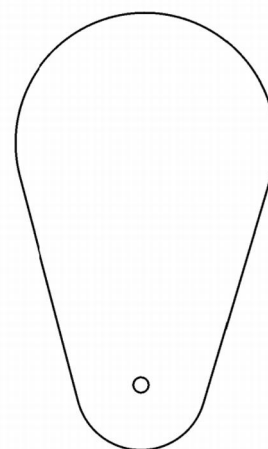
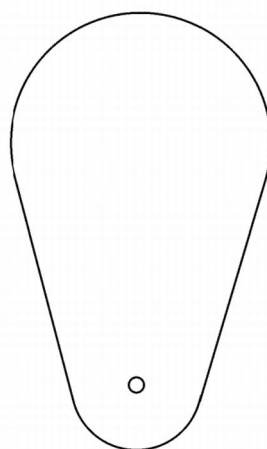
**PET OMG**



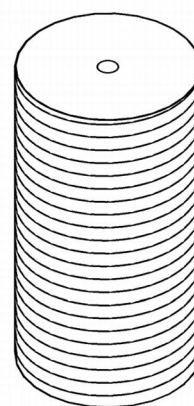
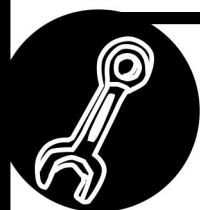
A × 2



B × 2



C × 2



a × 4

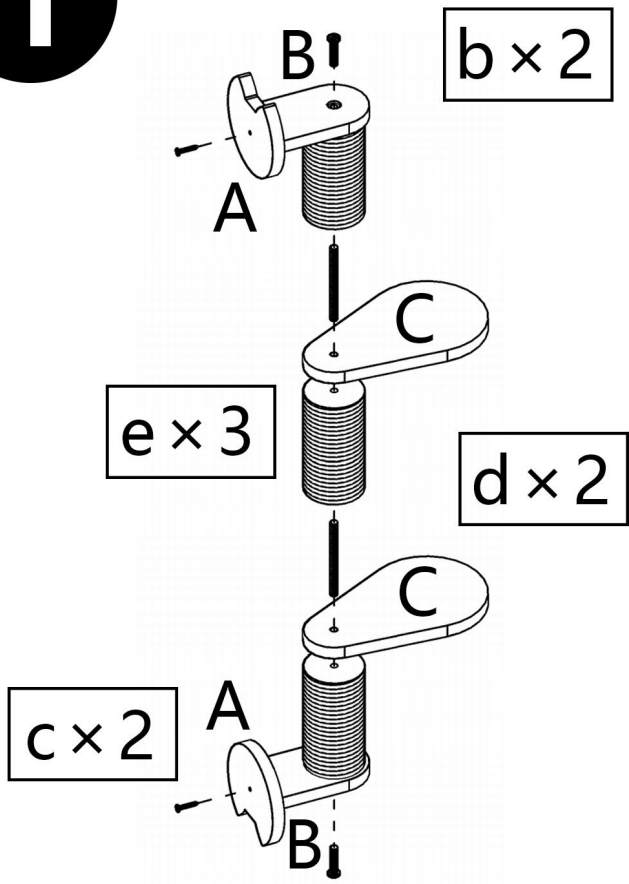
b × 2

c × 2

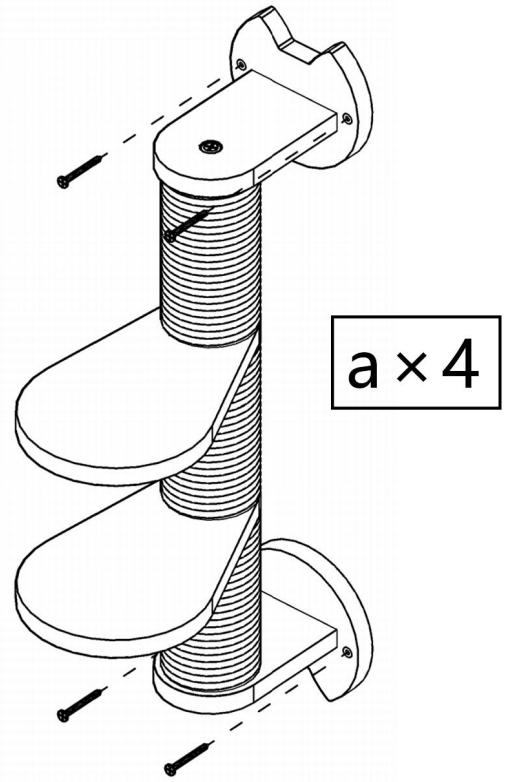
d × 2

e × 3

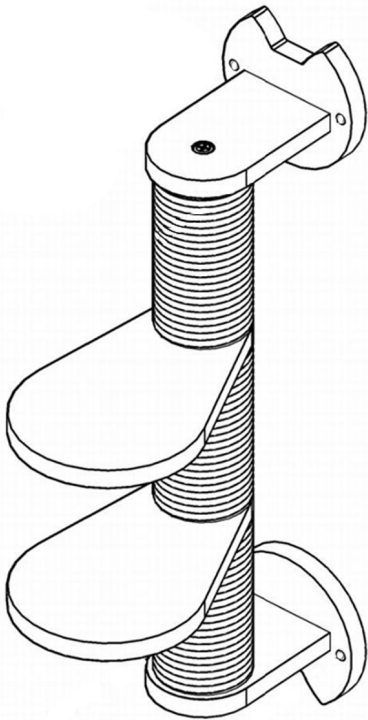
1



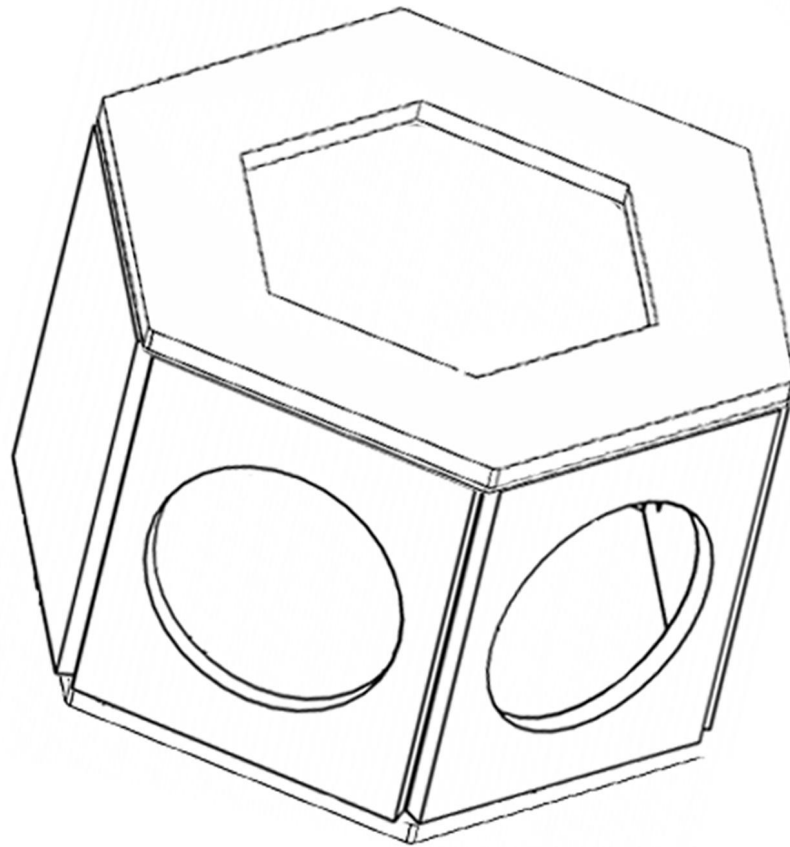
2



3



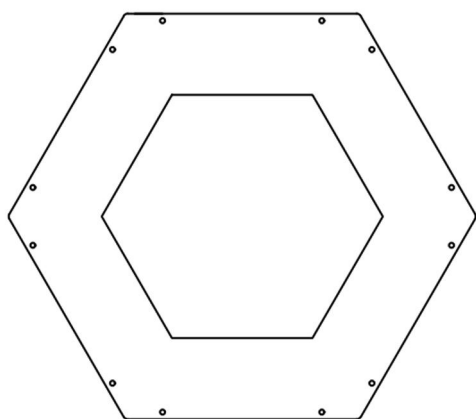
# Large Cat Perch Instructions



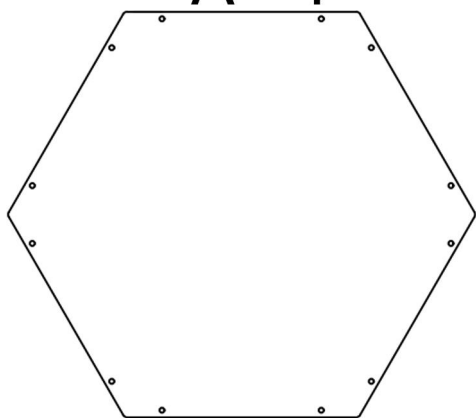
## CM23



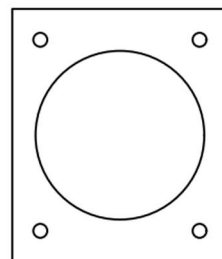
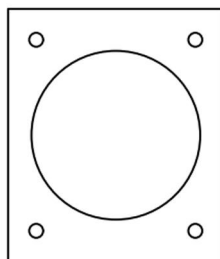
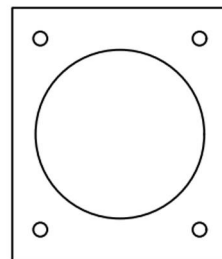
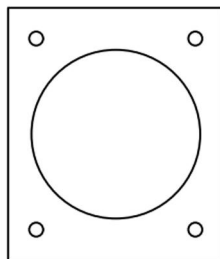
**PET OMG**



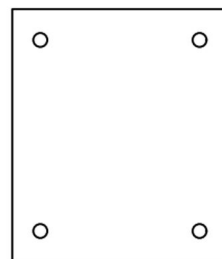
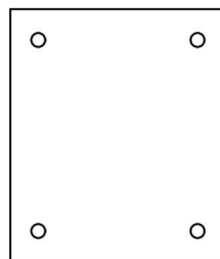
A × 1



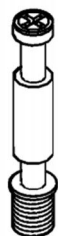
B × 1



C × 4



D × 2



a × 24



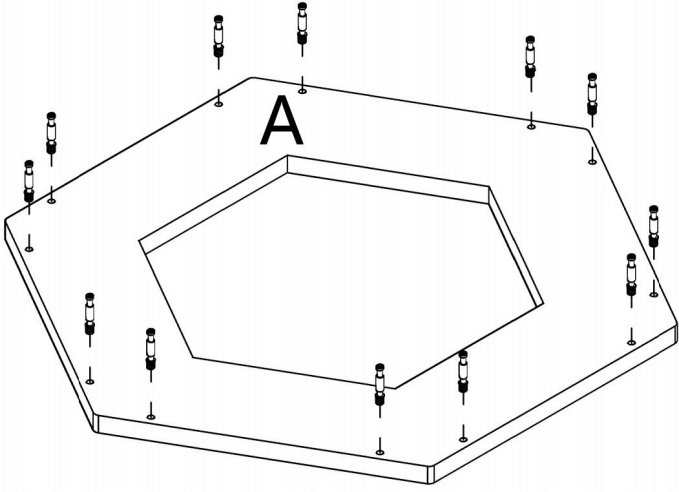
b × 24



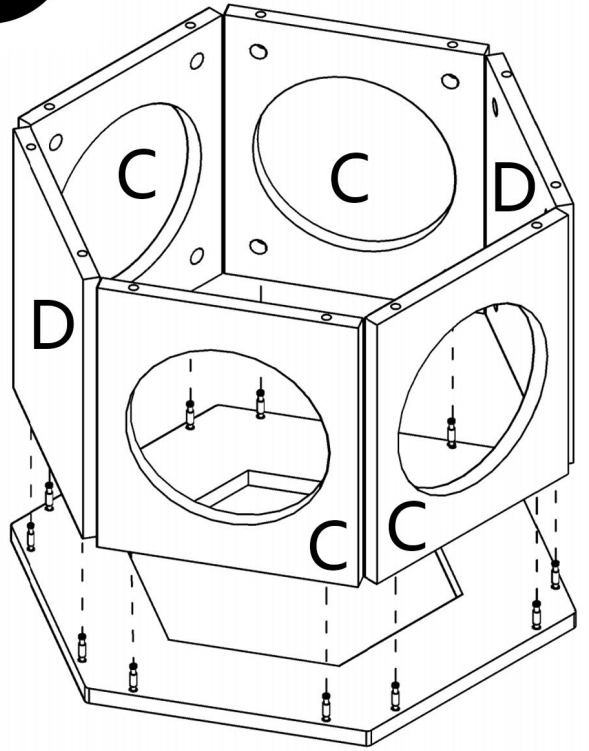
c × 4

1

$a \times 12$



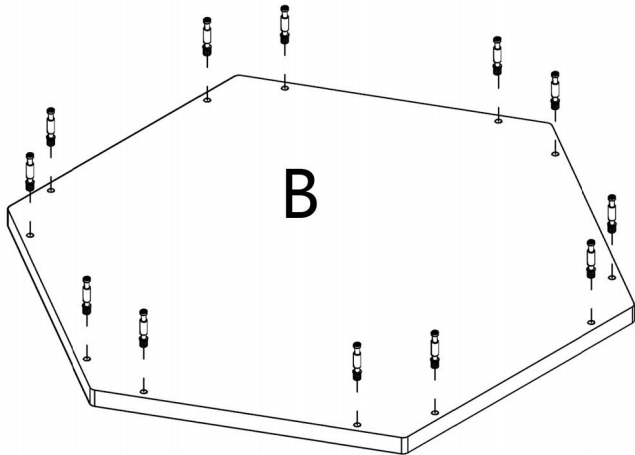
2



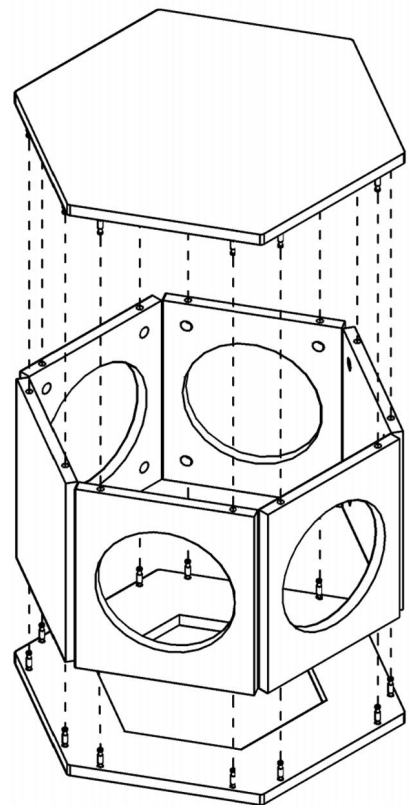
$b \times 12$

3

$a \times 12$

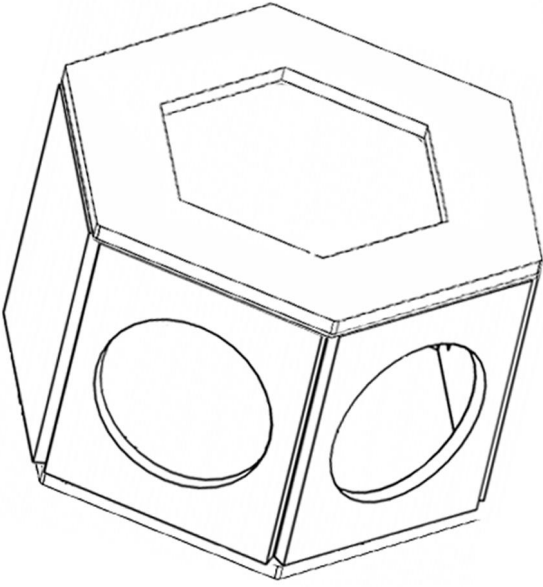


4

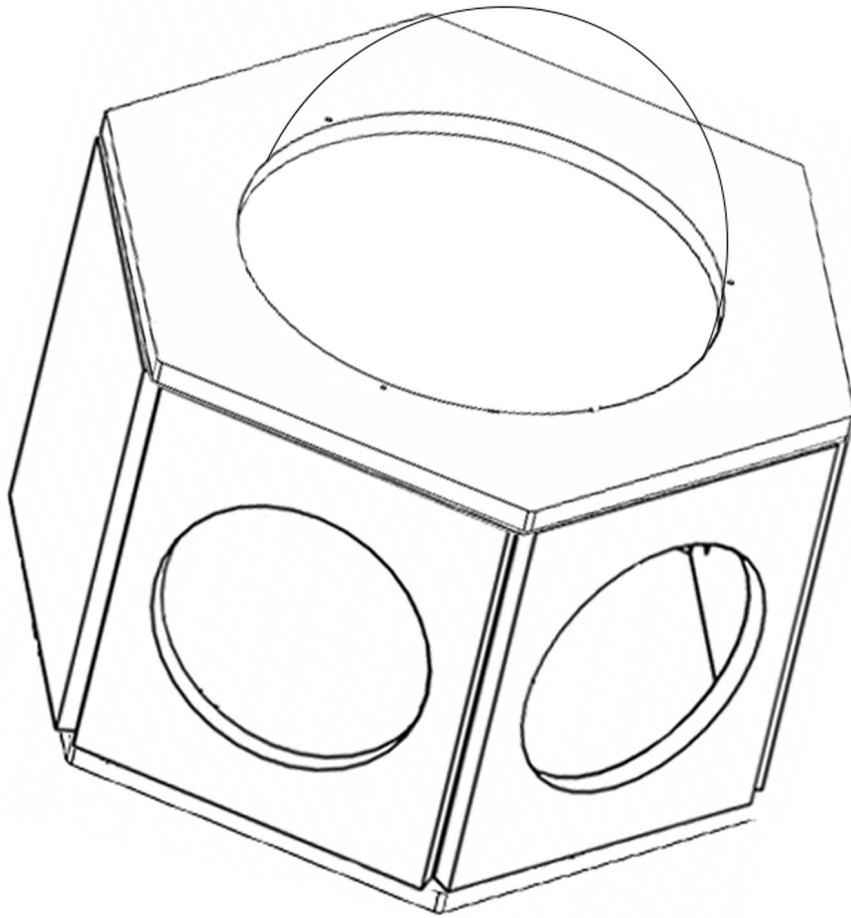


$b \times 12$

5



# Large Cat Perch Instructions

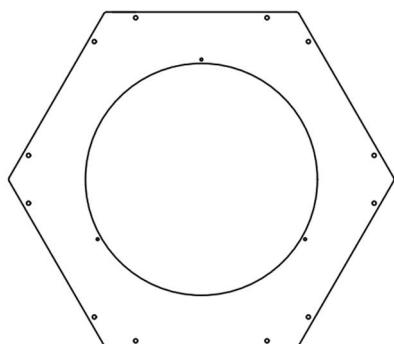


## CM24

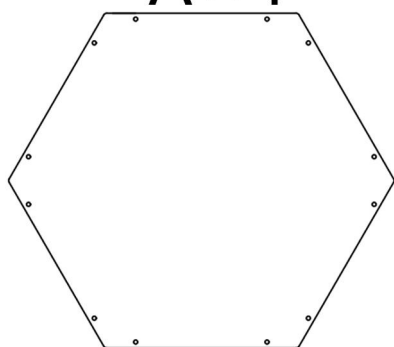


**PET OMG**

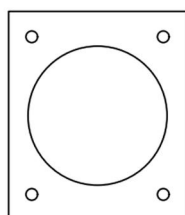
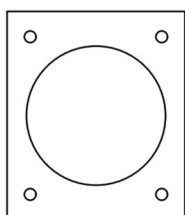
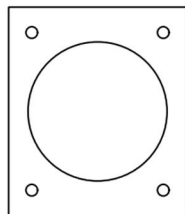
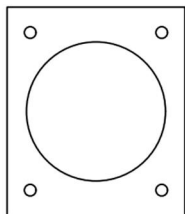




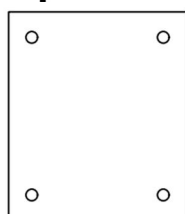
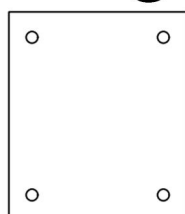
A × 1



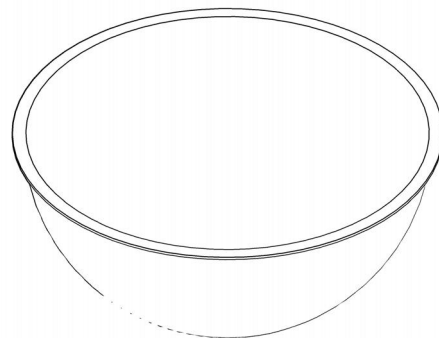
B × 1



C × 4



D × 2



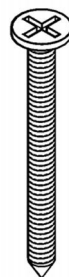
E × 1



a × 24



b × 24



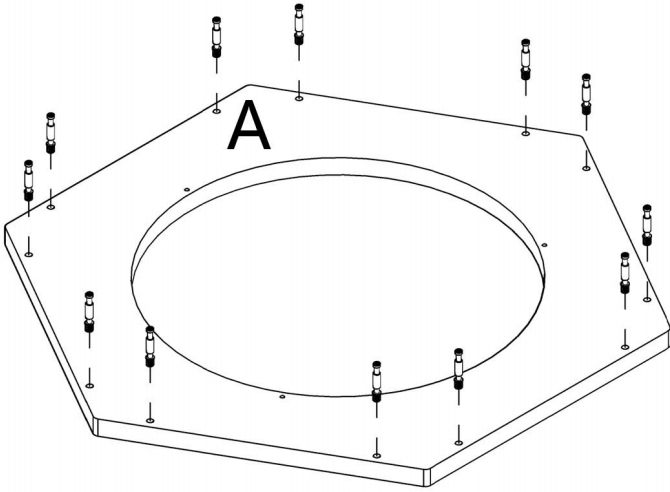
c × 4



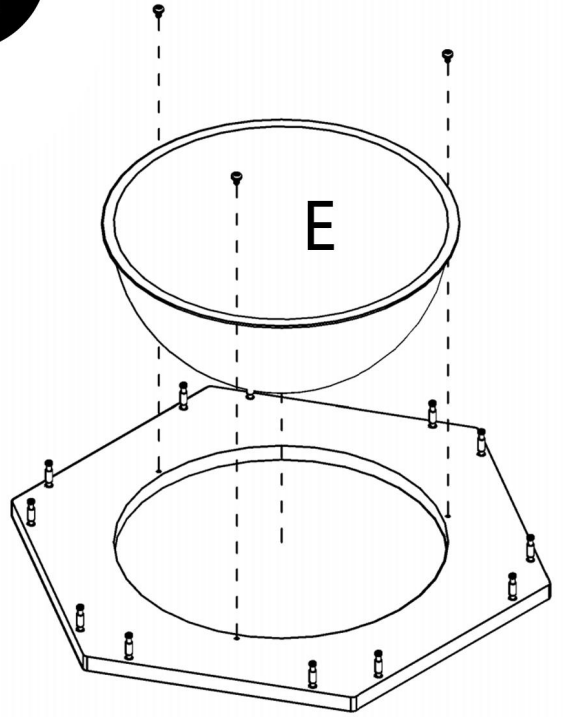
d × 3

1

$a \times 12$



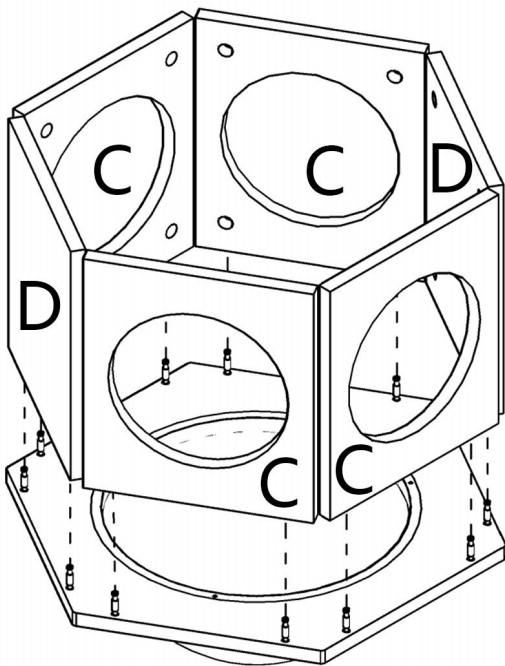
2



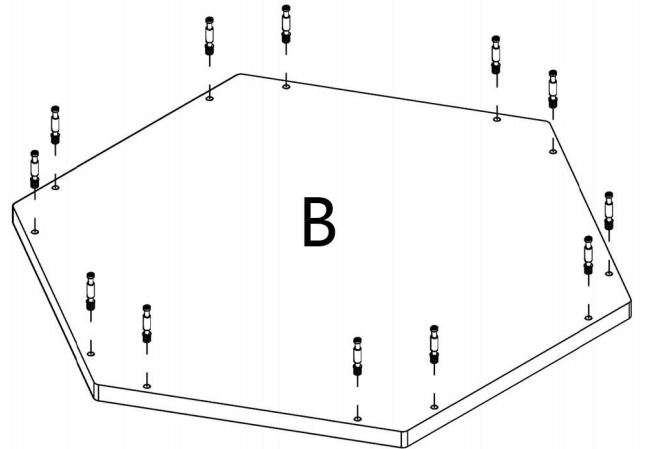
$d \times 3$

3

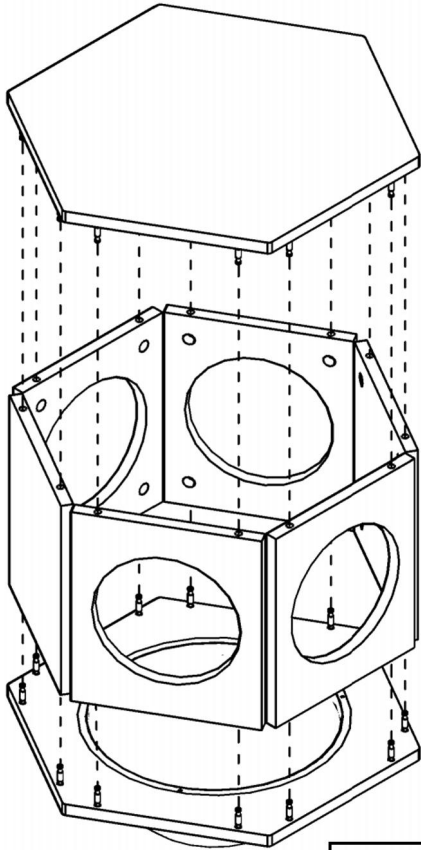
$a \times 12$



4

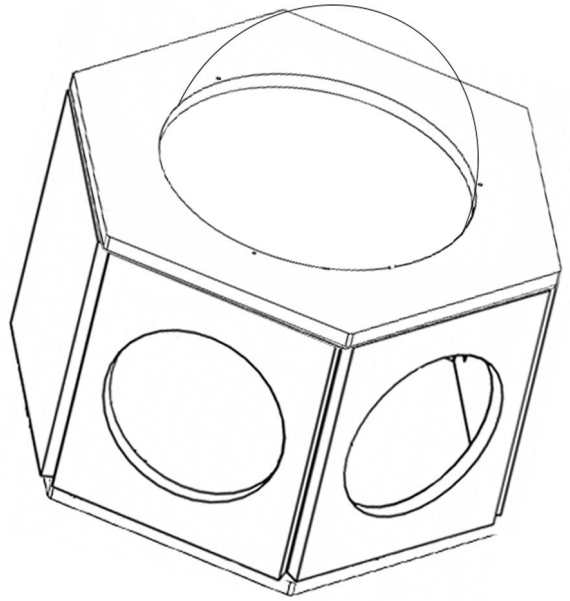


5

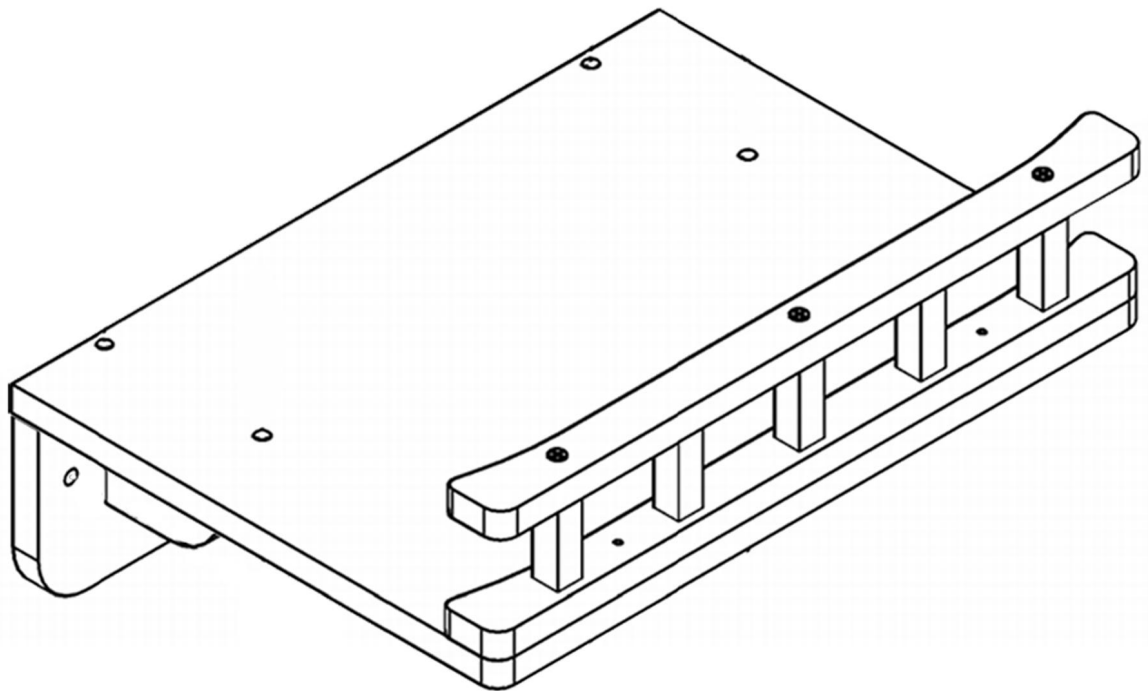


$b \times 12$

6



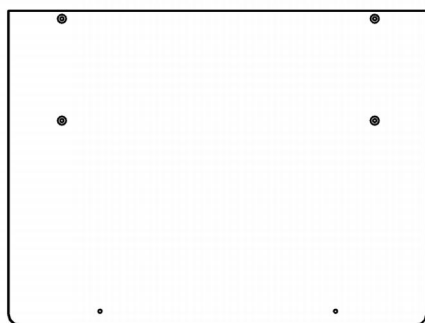
# Cat Wall Perch Instructions



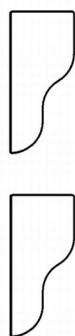
# CM26



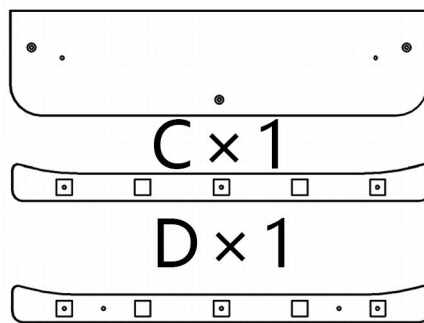
**PETOMG**



A × 1



B × 2



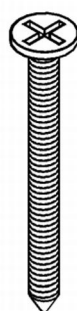
C × 1

D × 1

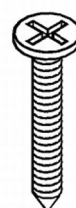
E × 1



F × 5

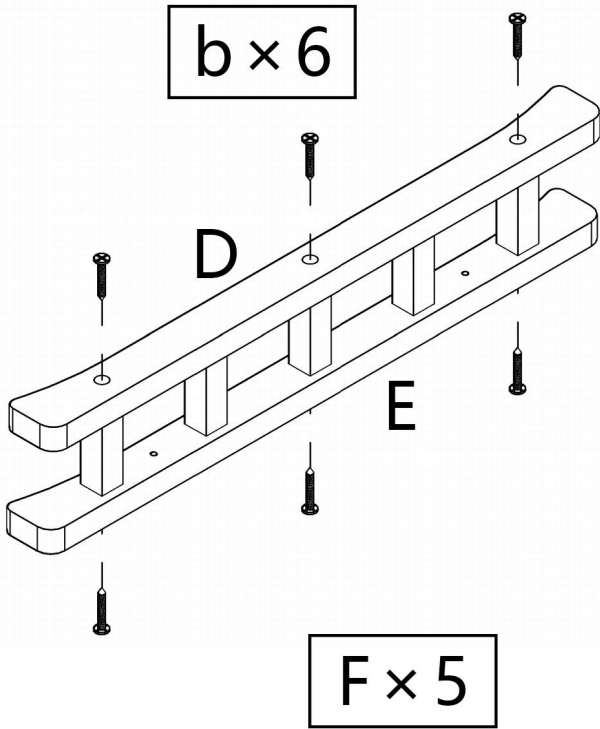


a × 3

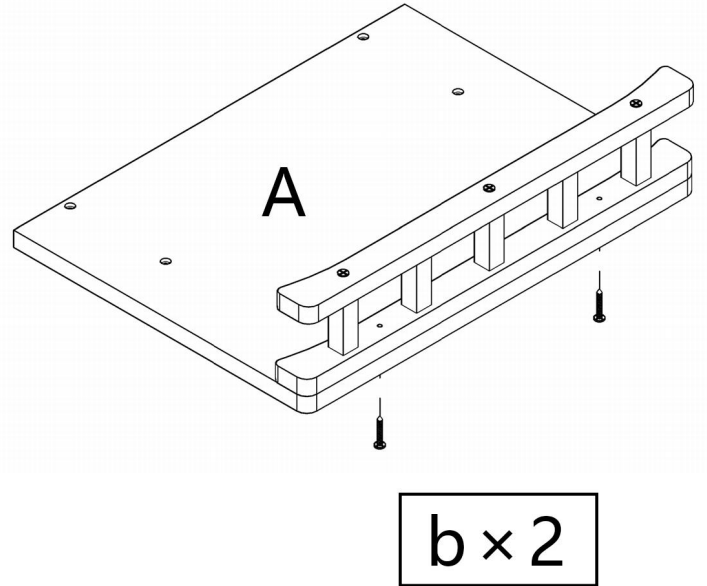


b × 14

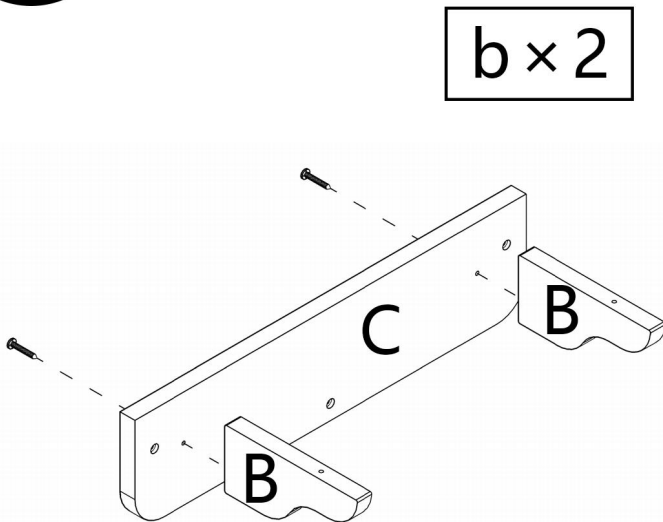
1



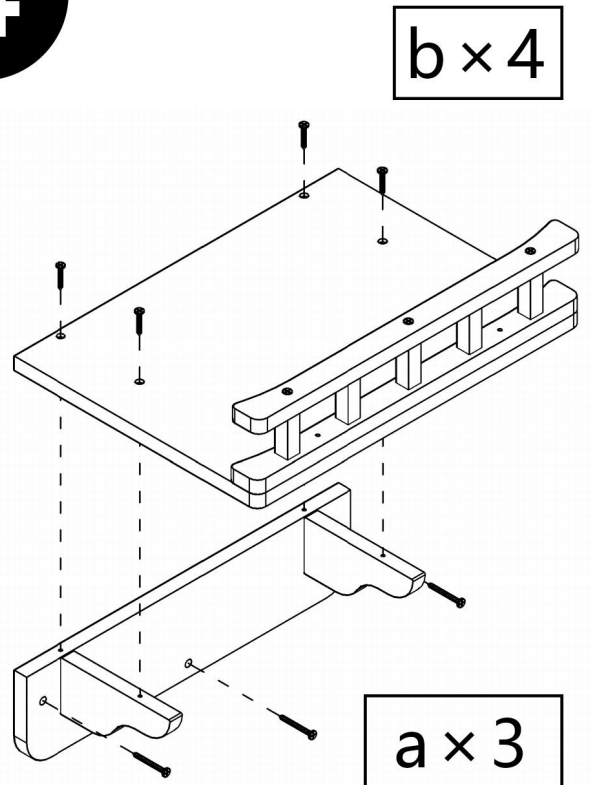
2



3



4



5

