



PET OMG

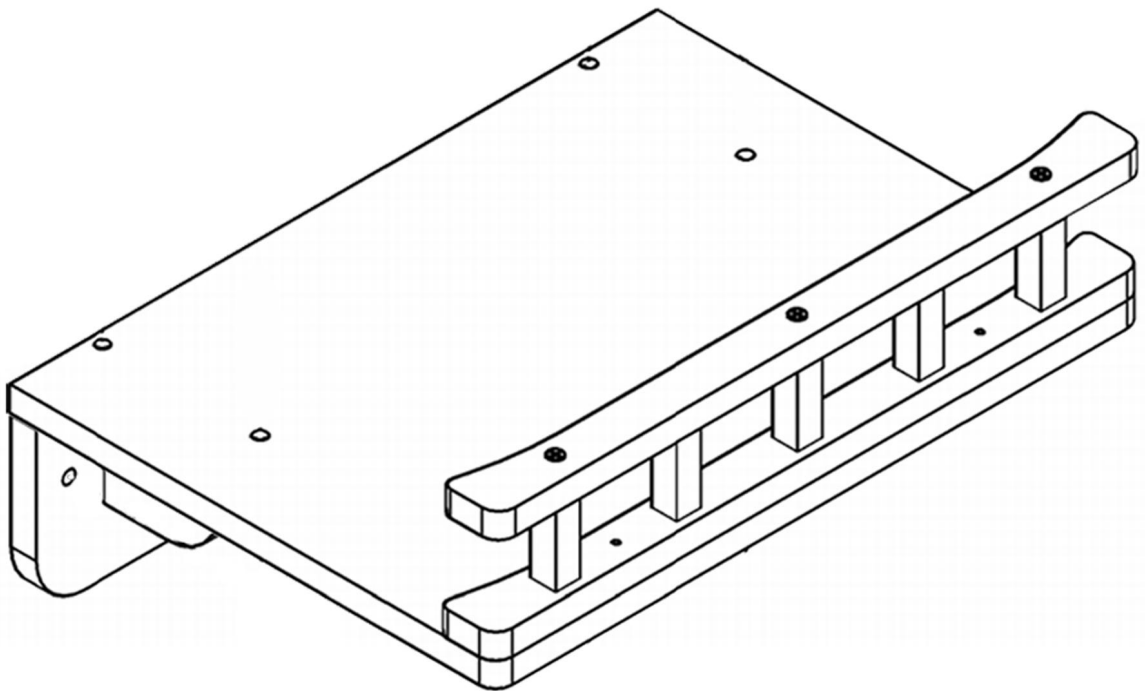
Cat Wall Furniture Instructions

CM000009

Table of contents

CM26.....	1
CM08.....	5
CM03.....	9
CM20.....	12

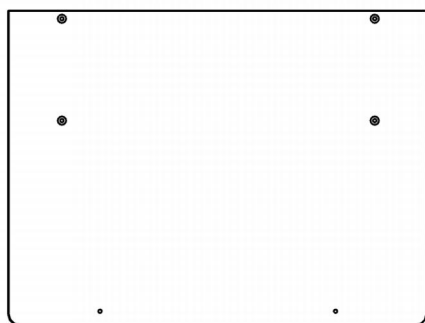
Cat Wall Perch Instructions



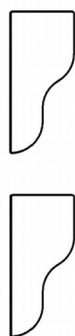
CM26



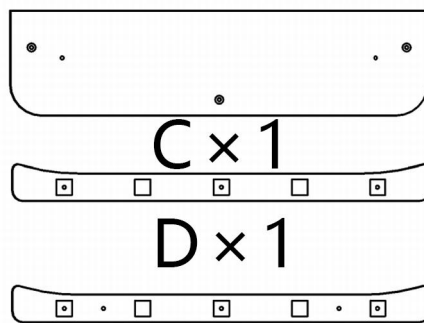
PET OMG



A × 1



B × 2



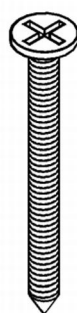
C × 1

D × 1

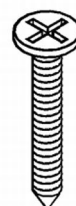
E × 1



F × 5

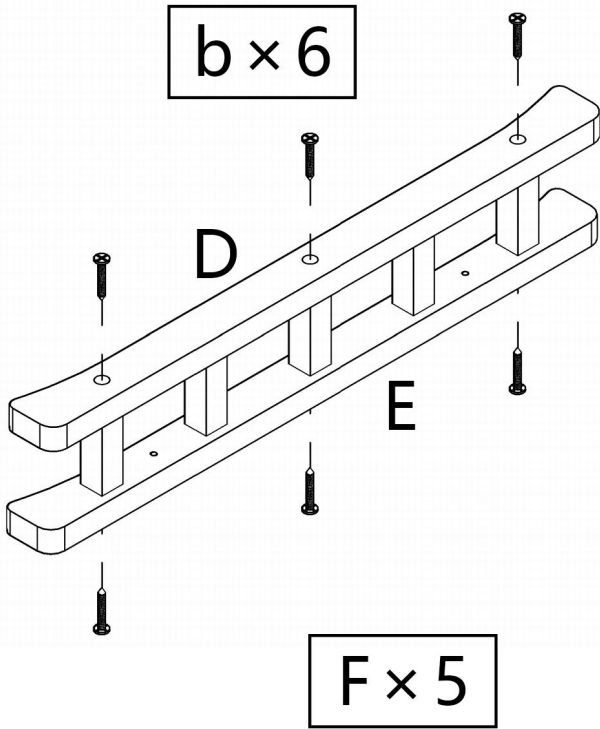


a × 3

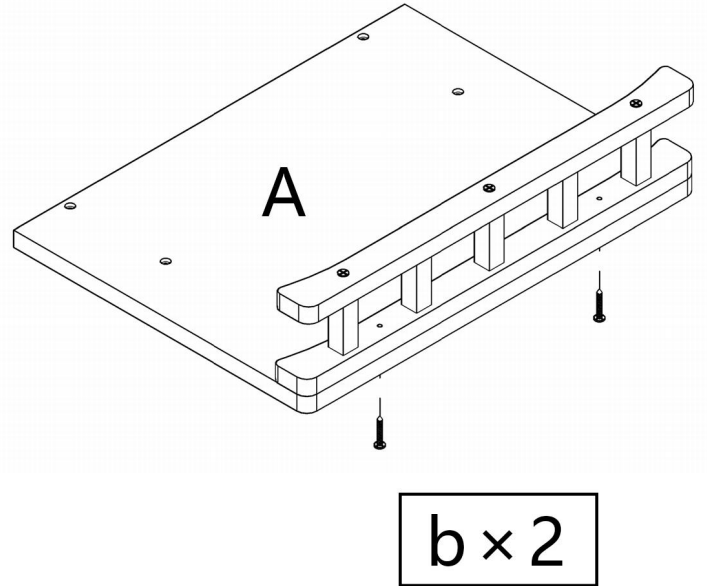


b × 14

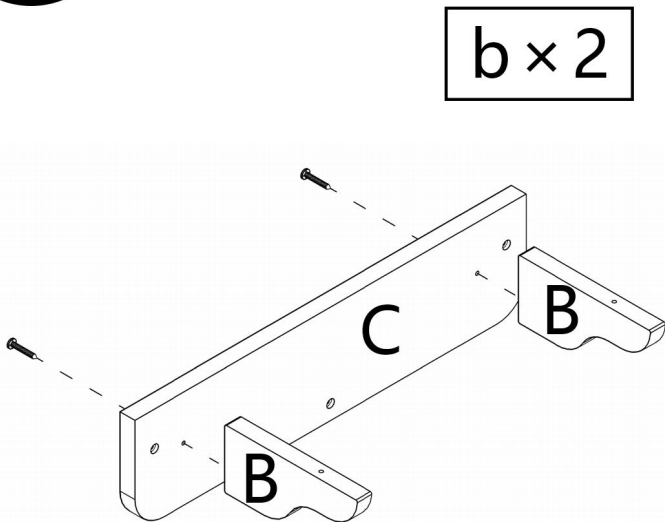
1



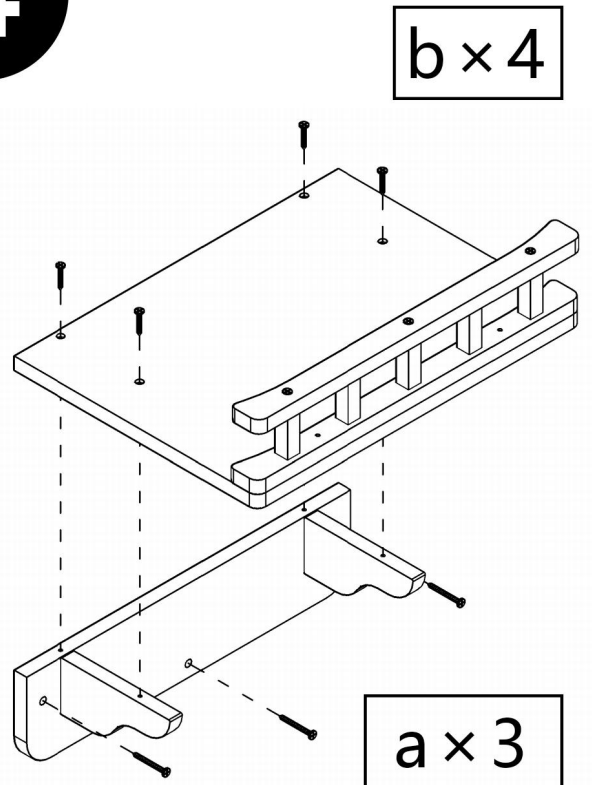
2



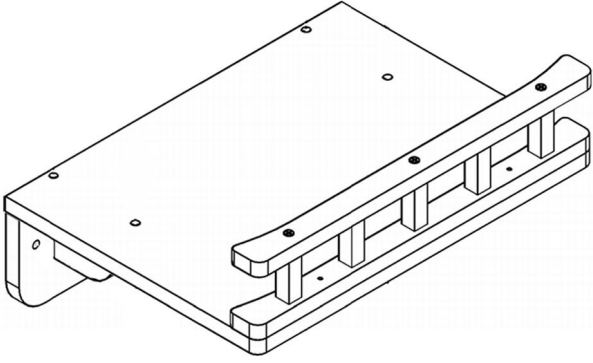
3



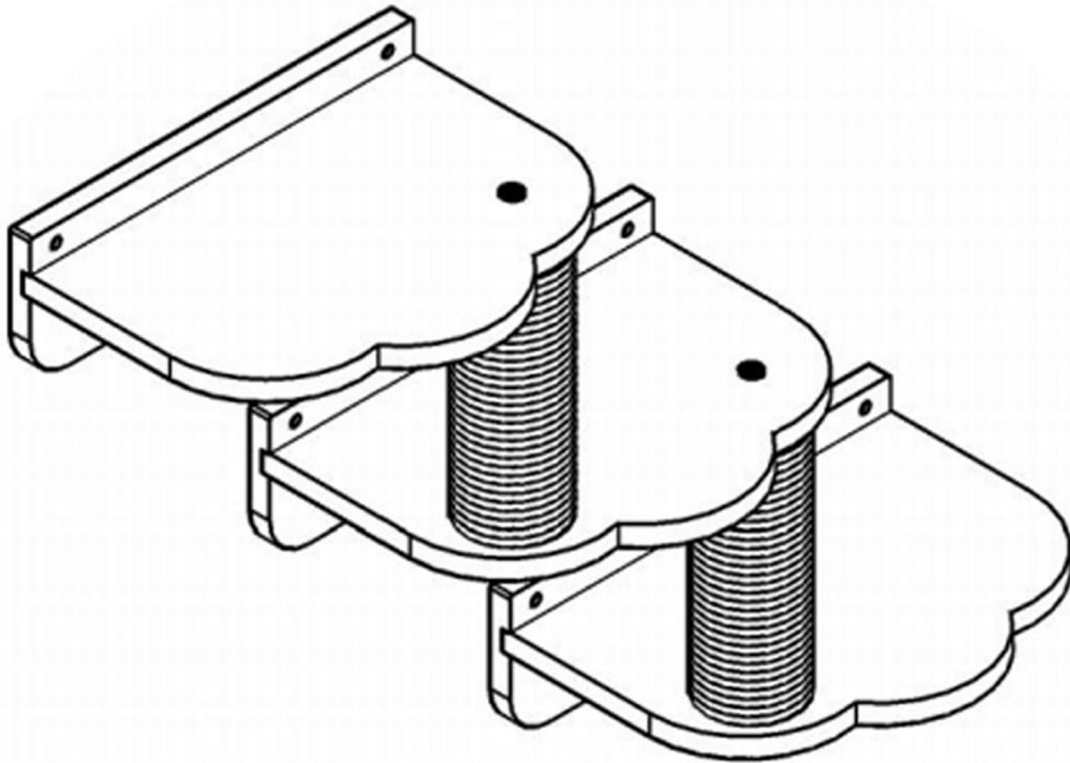
4



5



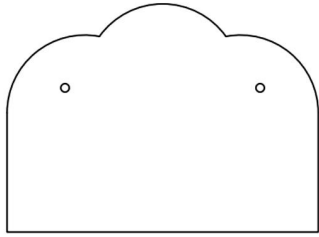
Medium Cat Wall Stepper Instructions



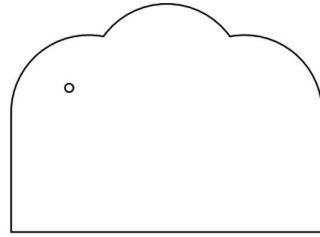
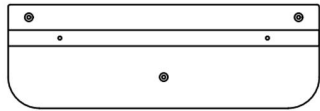
CM08



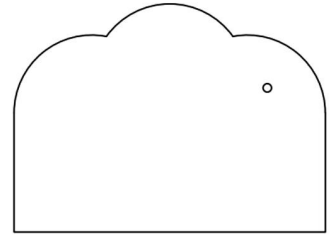
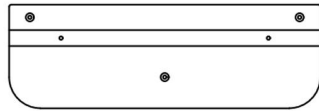
PETOMG



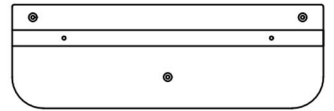
A × 1



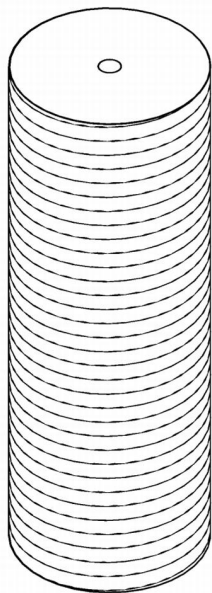
B × 1



C × 1



D × 3



a × 2



b × 9



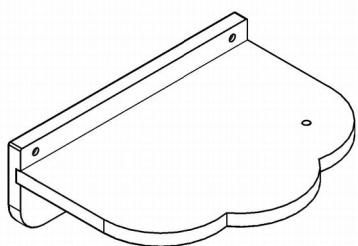
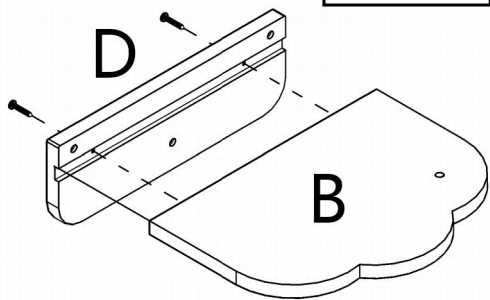
c × 4



d × 6

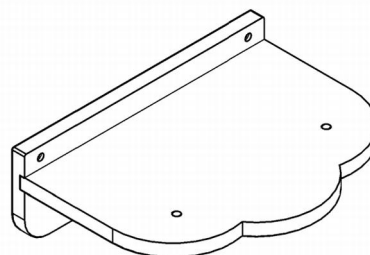
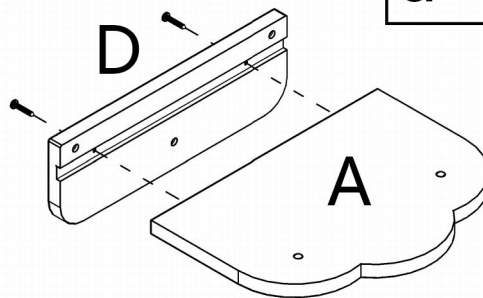
1

$d \times 2$



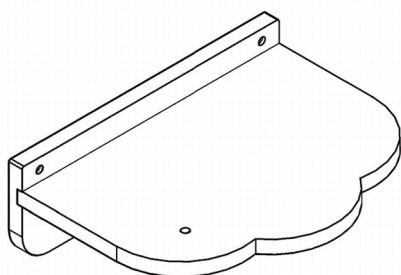
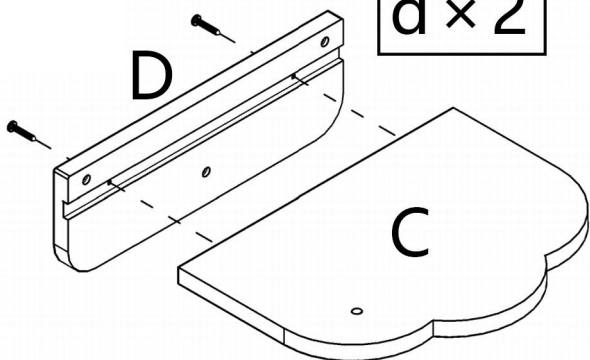
2

$d \times 2$



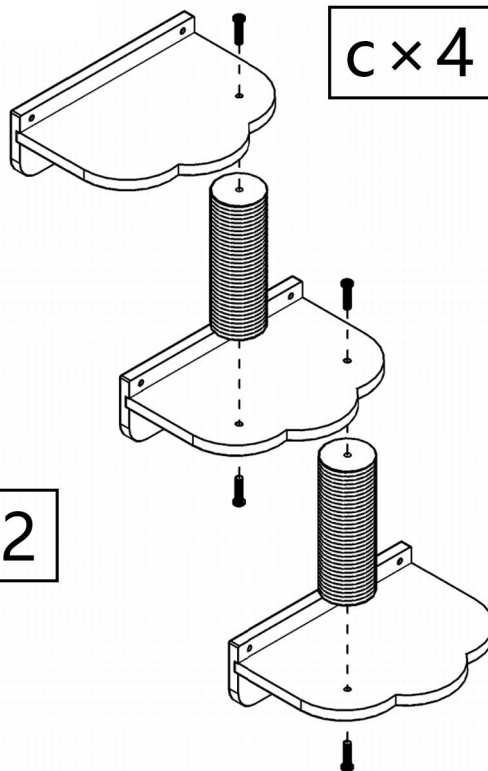
3

$d \times 2$



4

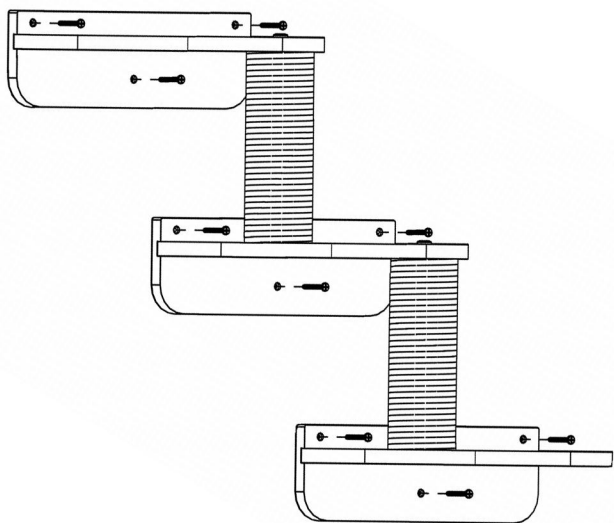
$c \times 4$



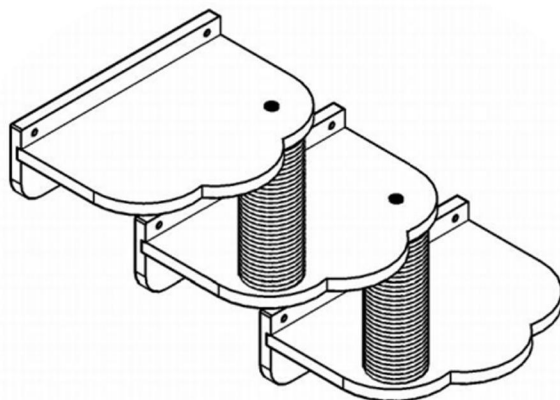
$a \times 2$

5

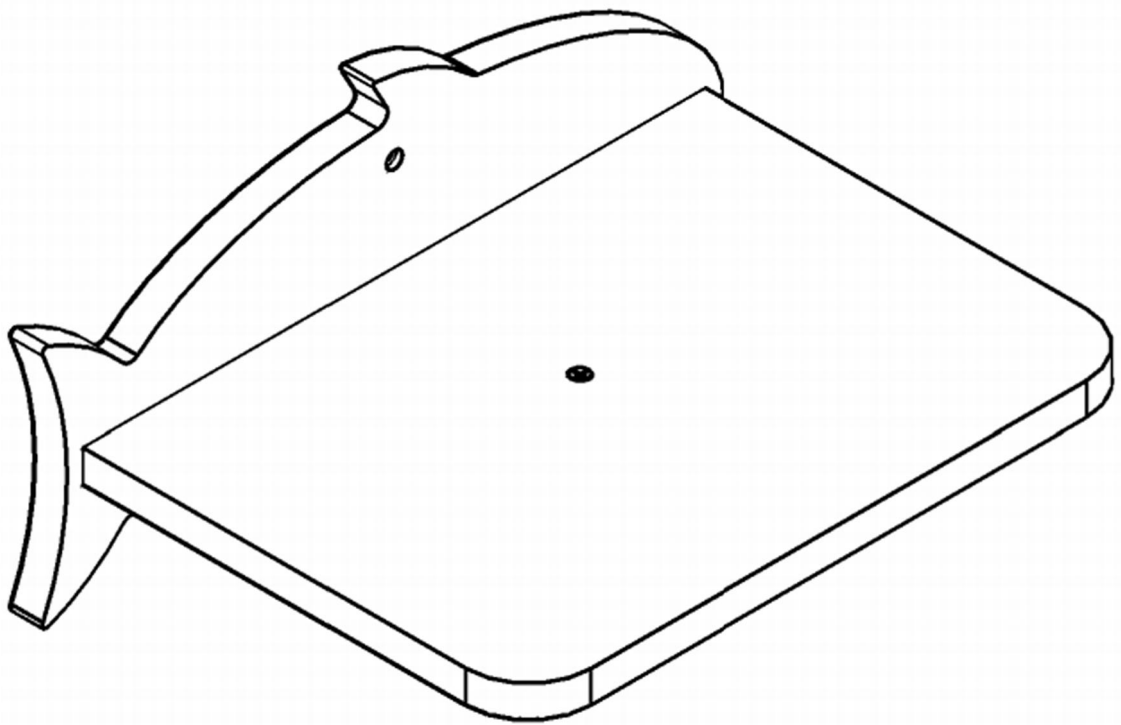
b × 9



6



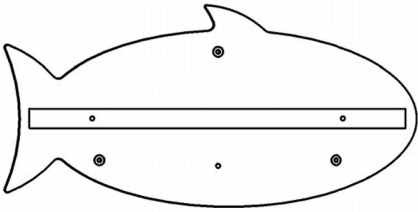
Cat Fish Style Wall Stepper Instructions



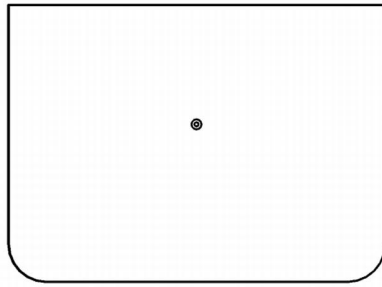
CM03



PETOMG



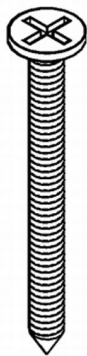
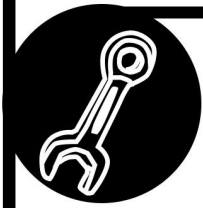
A × 1



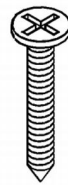
B × 1



C × 1

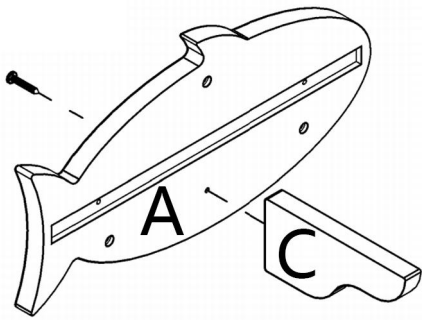


a × 3

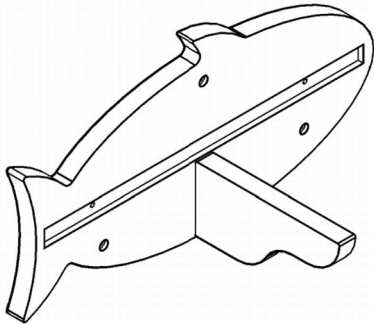


b × 4

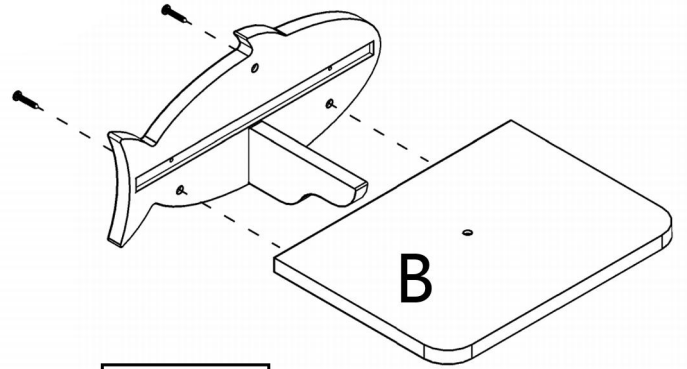
1



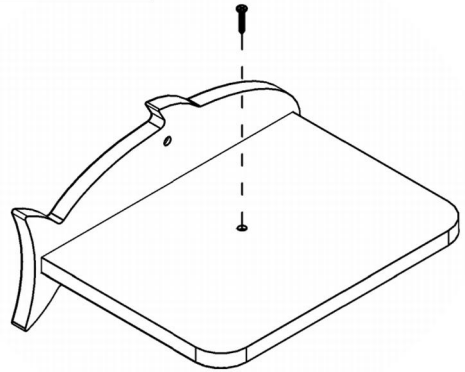
$b \times 1$



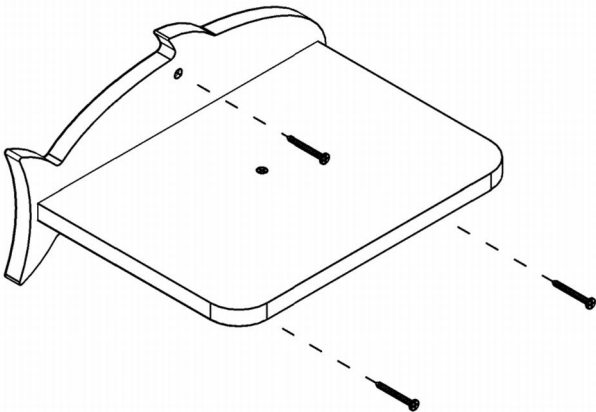
2



$b \times 3$

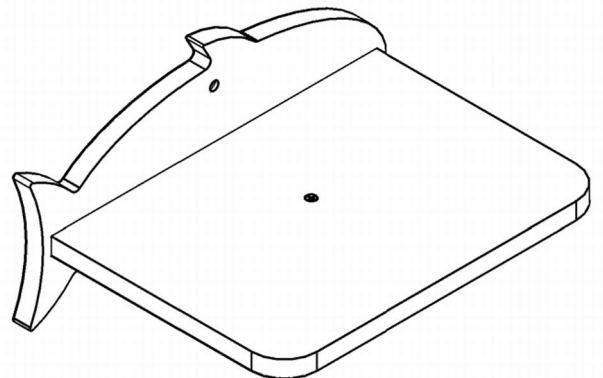


3

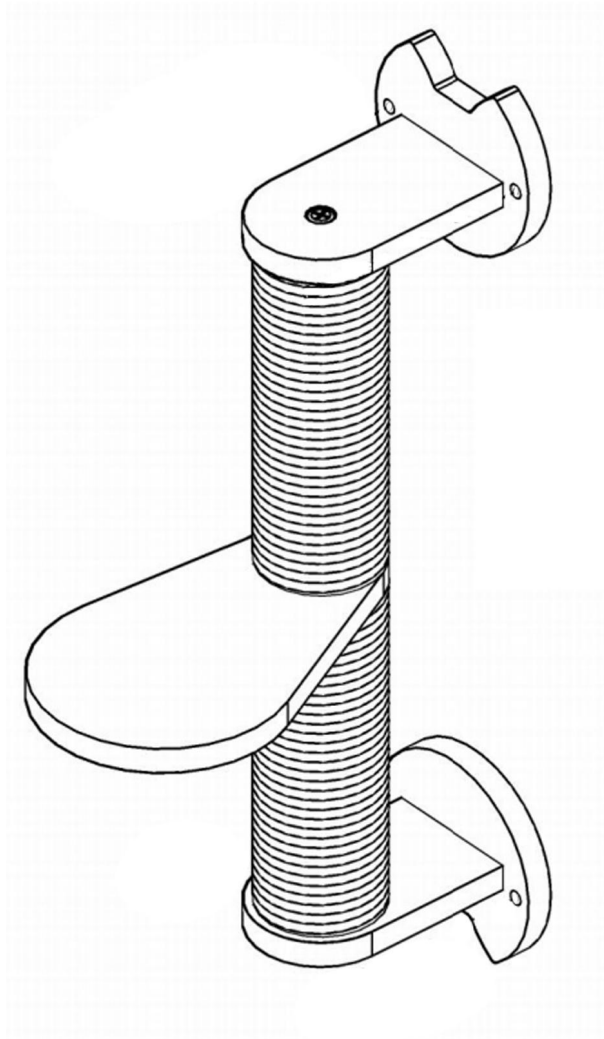


$a \times 3$

4



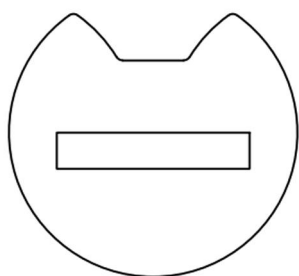
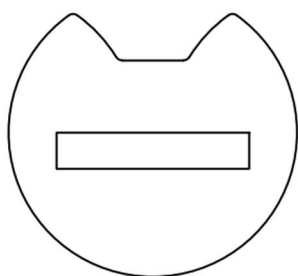
Cat Wall Stepper Instructions



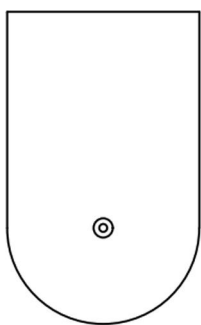
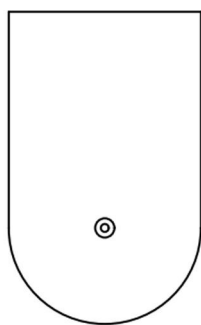
CM20



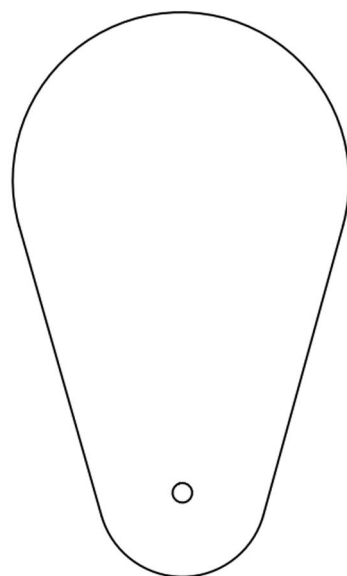
PETOMG



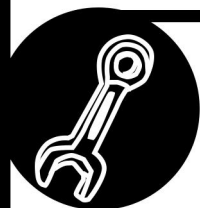
A × 2



B × 2



C × 1



a × 4



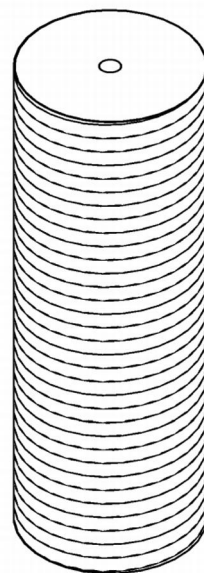
b × 2



c × 2

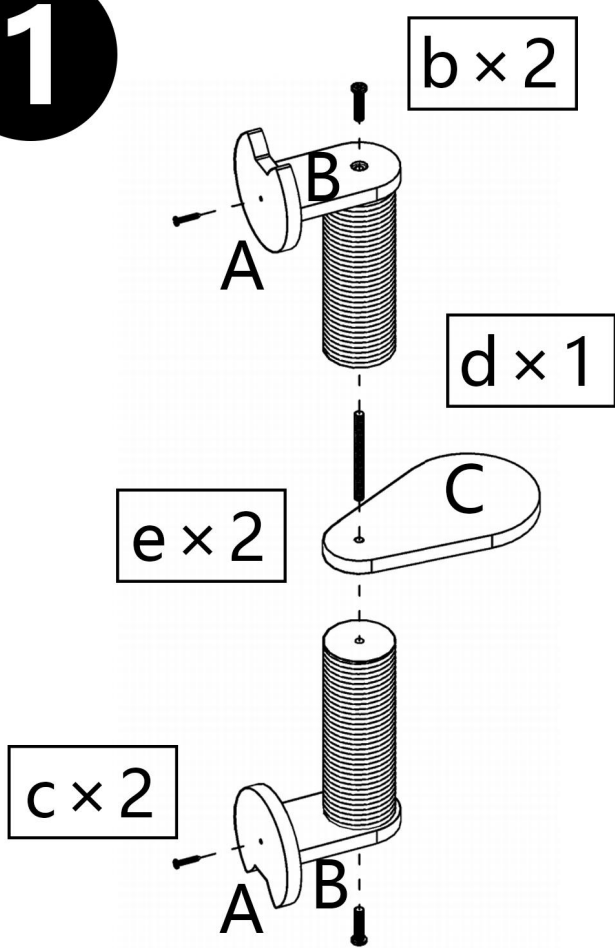


d × 1

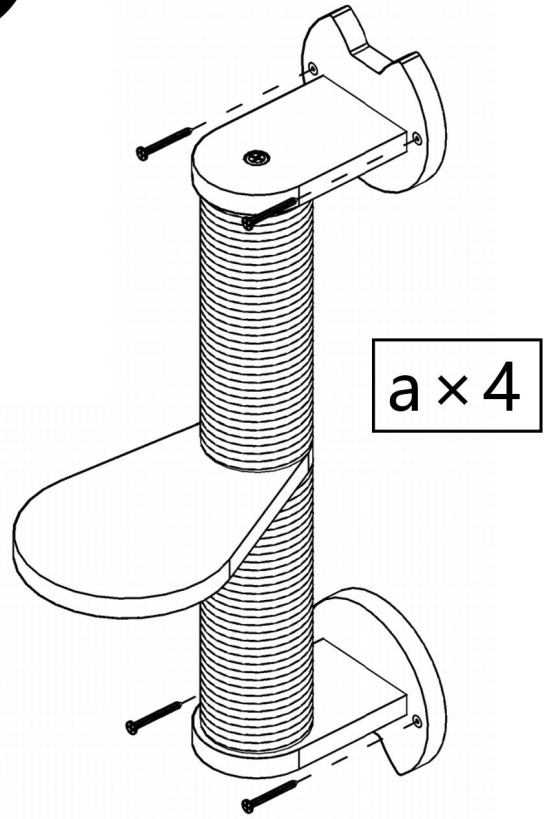


e × 2

1



2



3

