



**PET OMG**

# Cat Wall Furniture Instructions

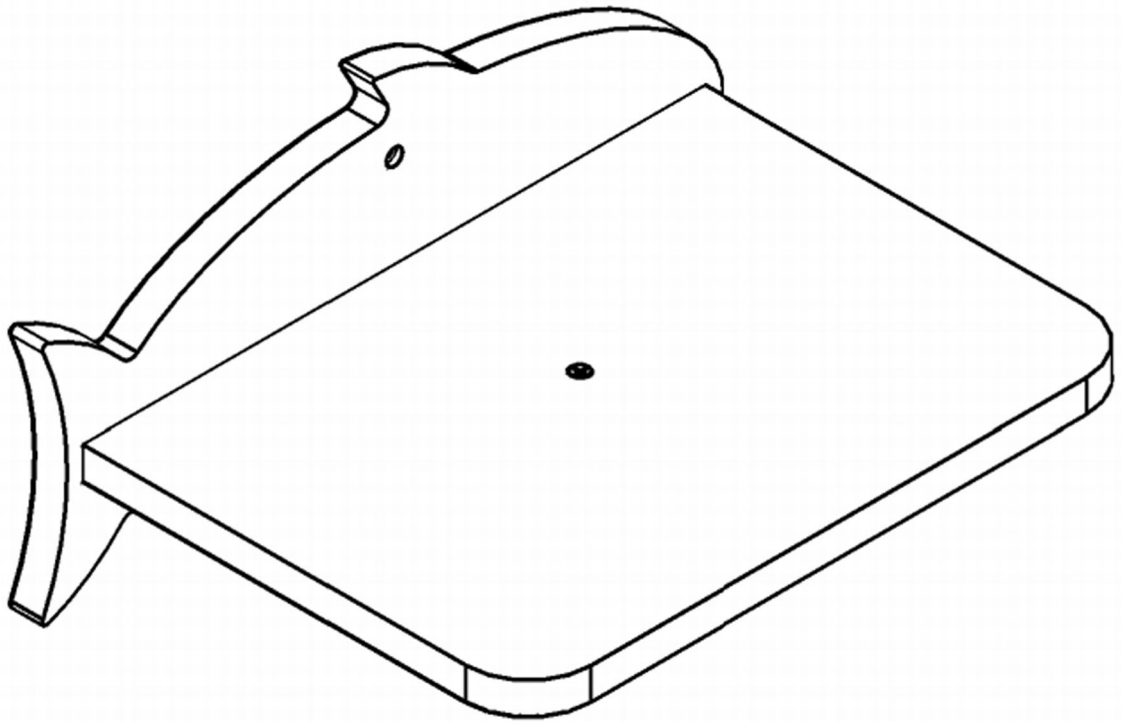
## CM000003

### Table of contents

---

|           |    |
|-----------|----|
| CM03..... | 1  |
| CM08..... | 4  |
| CM05..... | 8  |
| CM13..... | 11 |
| CM09..... | 15 |
| CM11..... | 19 |

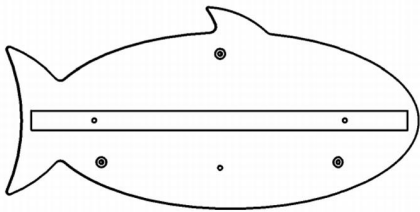
# Cat Fish Style Wall Stepper Instructions



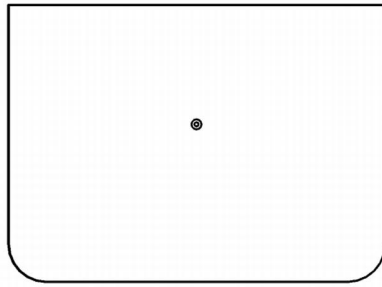
# CM03



**PETOMG**



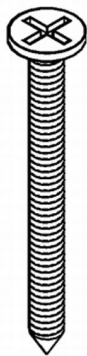
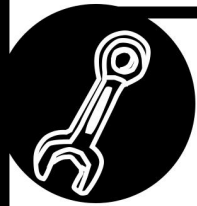
A × 1



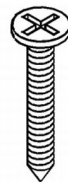
B × 1



C × 1

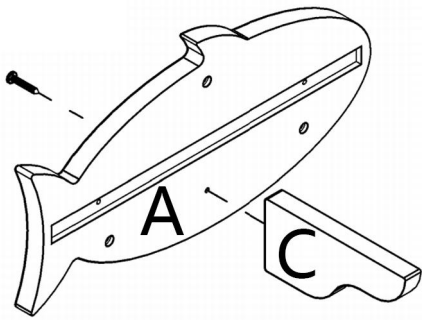


a × 3

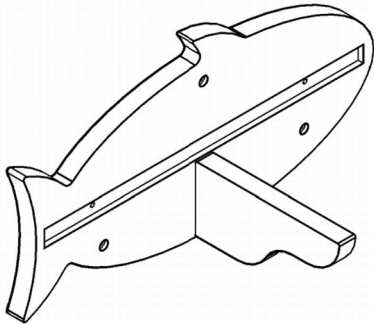


b × 4

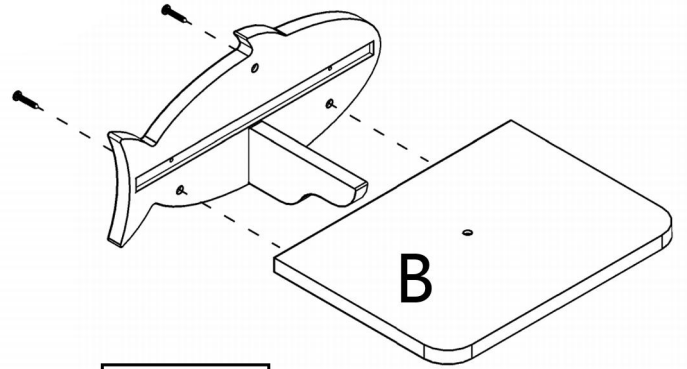
1



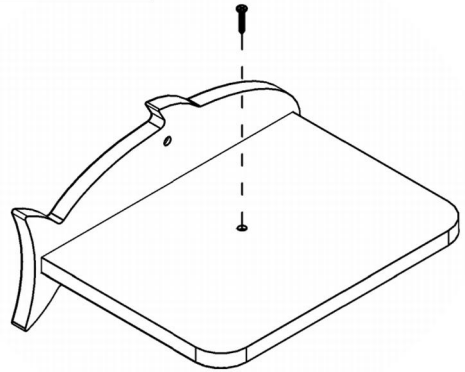
$b \times 1$



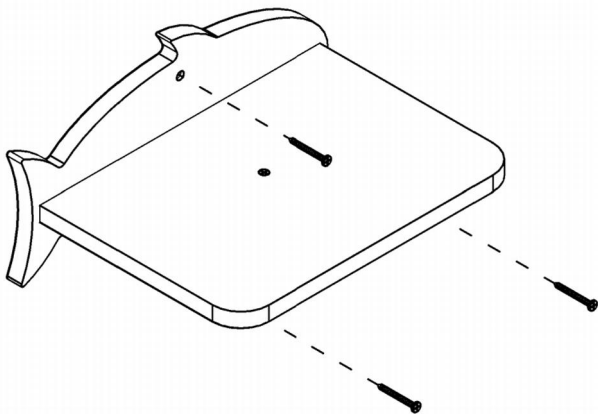
2



$b \times 3$

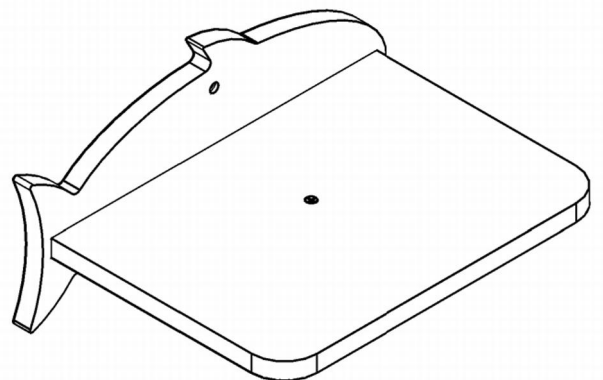


3

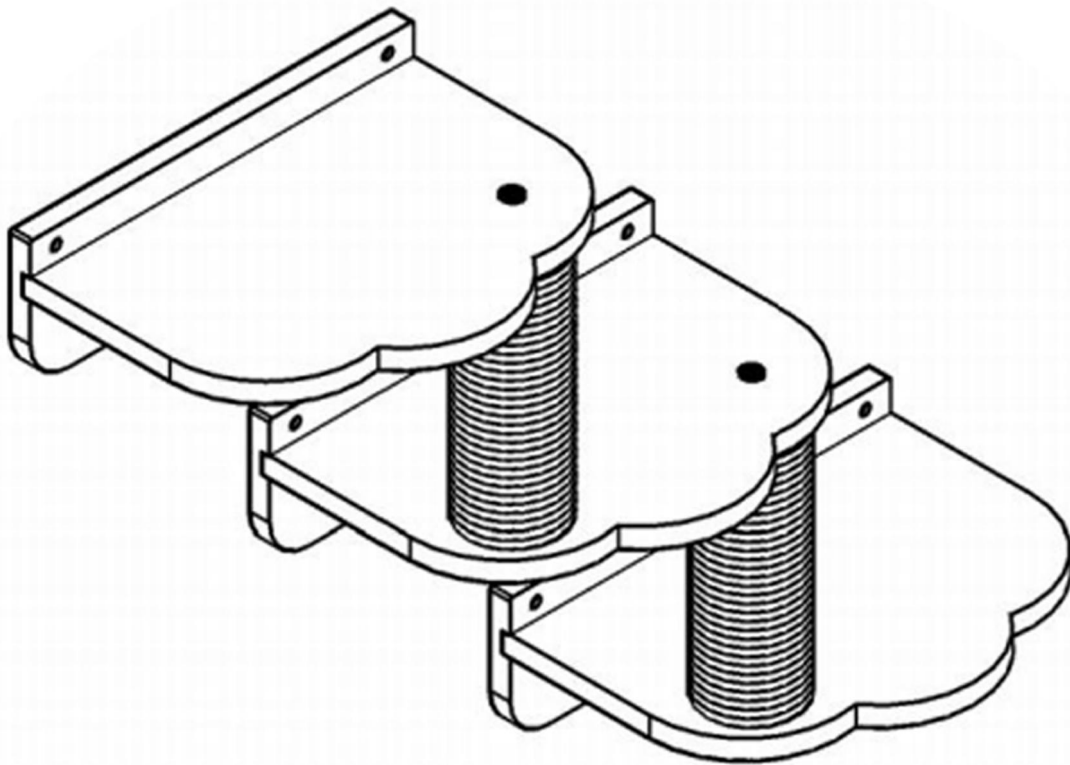


$a \times 3$

4



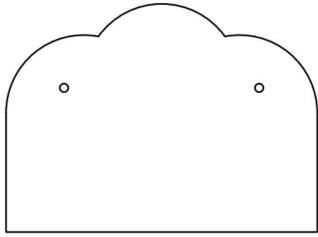
# Medium Cat Wall Stepper Instructions



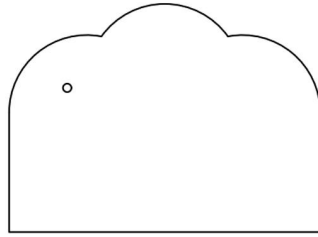
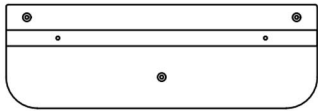
# CM08



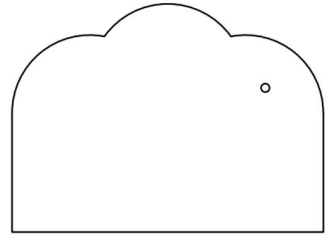
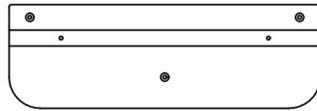
**PETOMG**



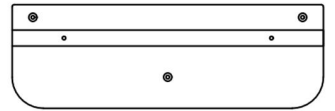
A × 1



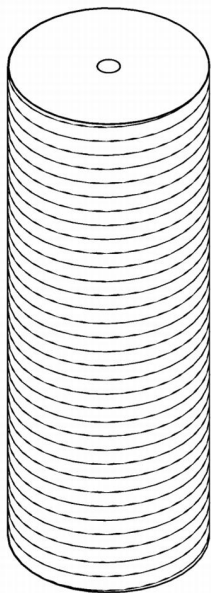
B × 1



C × 1



D × 3



a × 2



b × 9

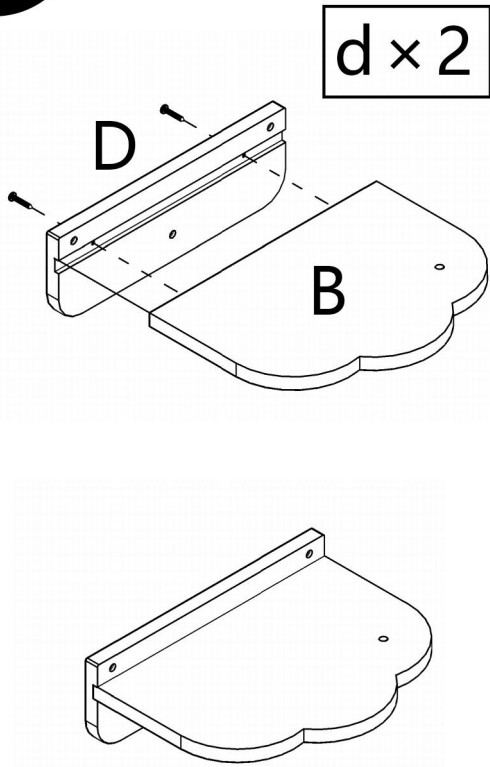


c × 4

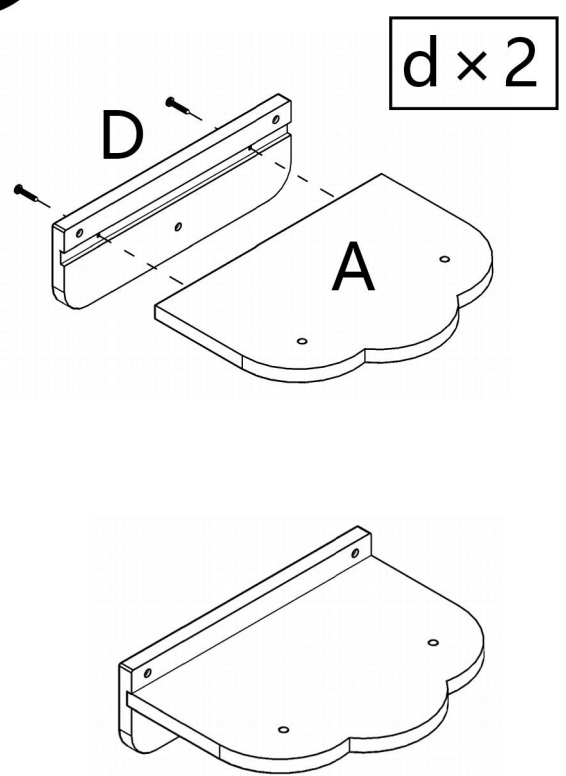


d × 6

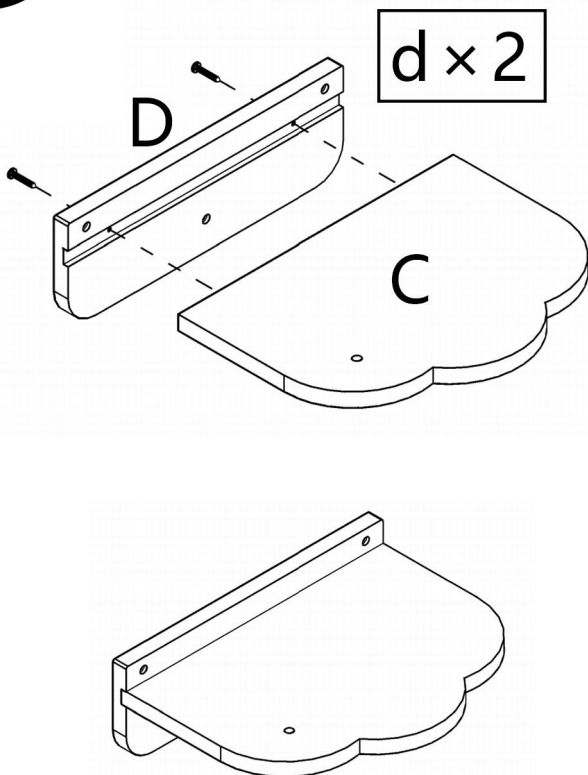
1



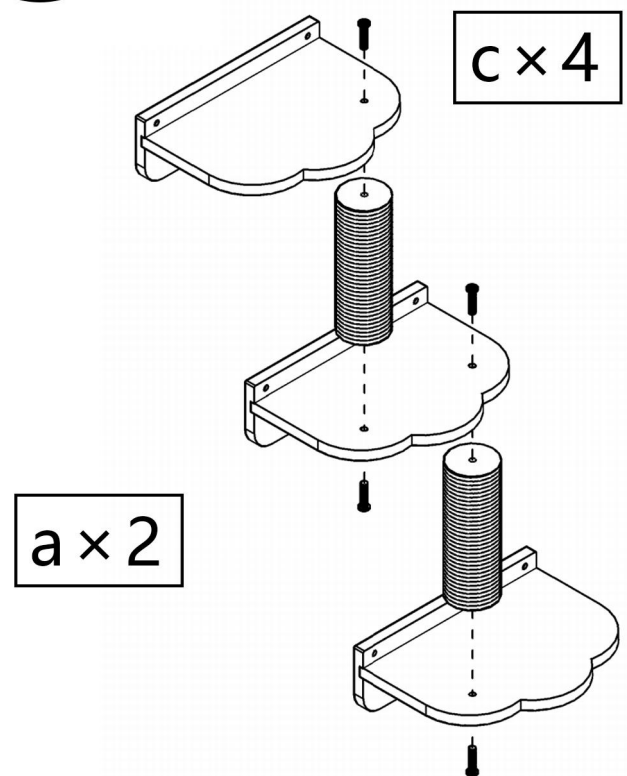
2



3

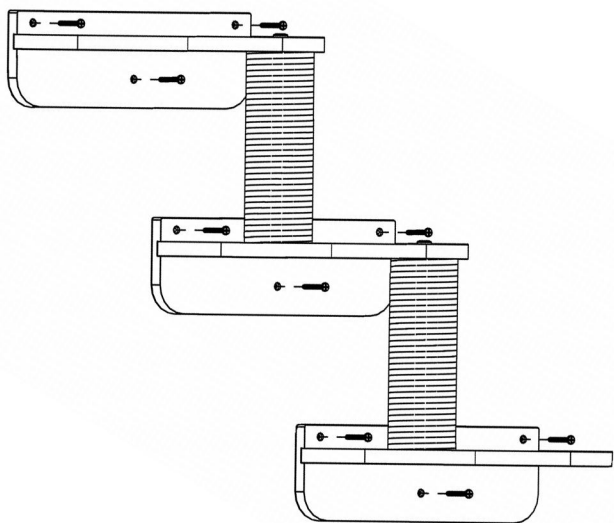


4

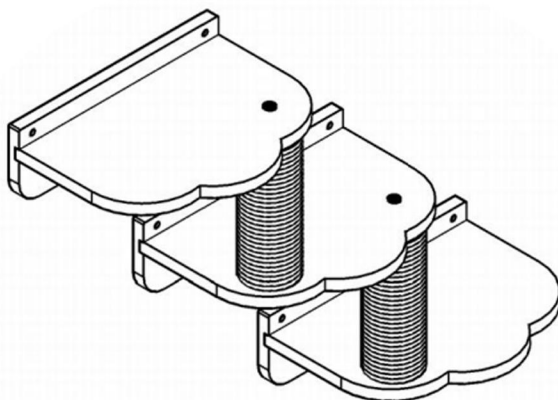


5

$b \times 9$

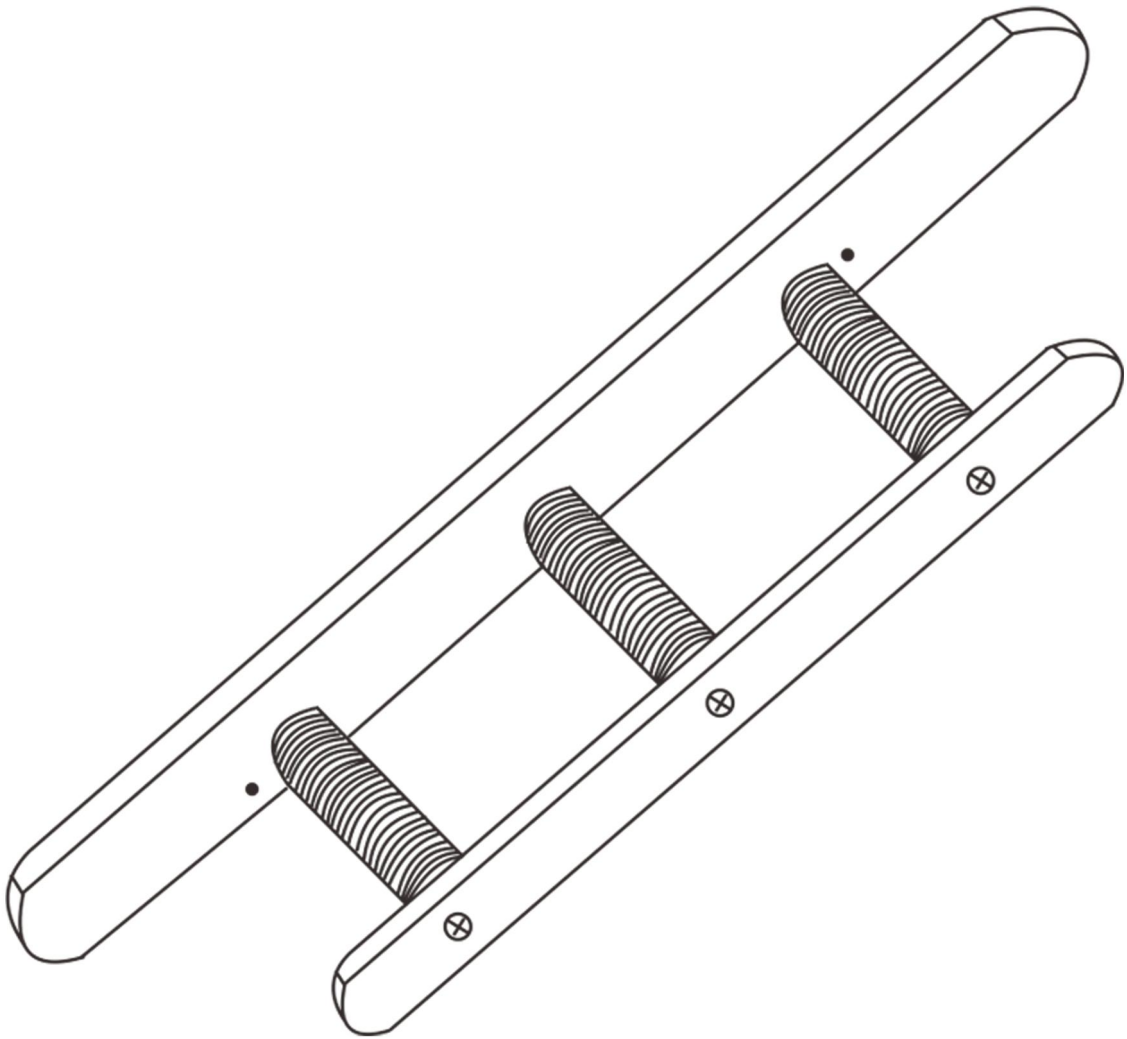


6





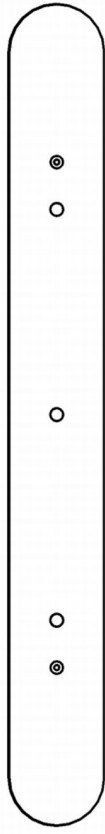
# Cat Wall Stepper Instructions



# CM05



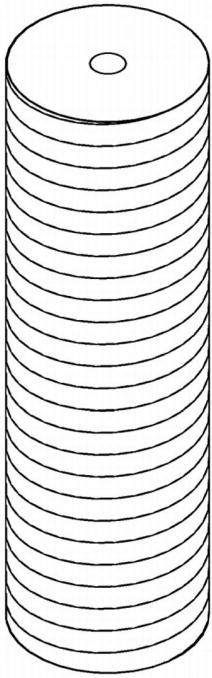
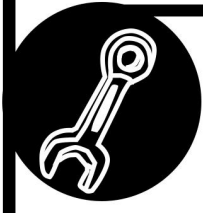
**PETOMG**



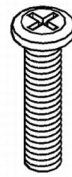
$A \times 1$



$B \times 1$



$a \times 3$

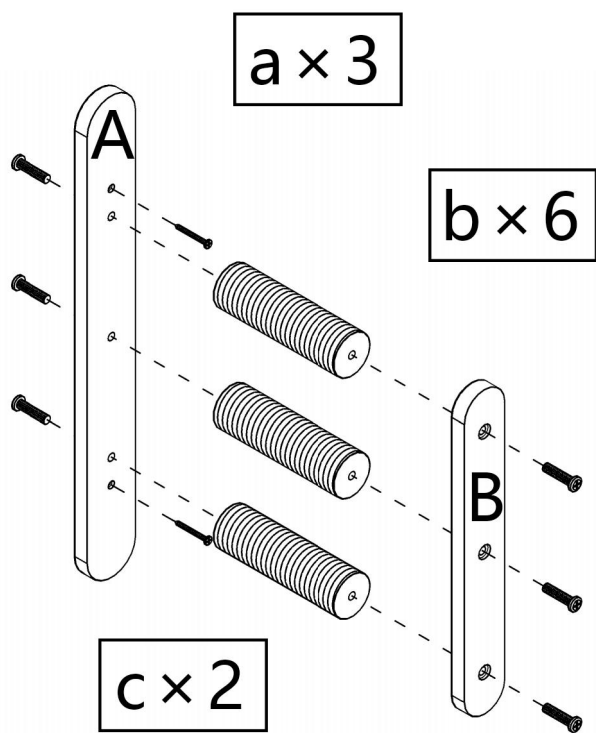


$b \times 6$

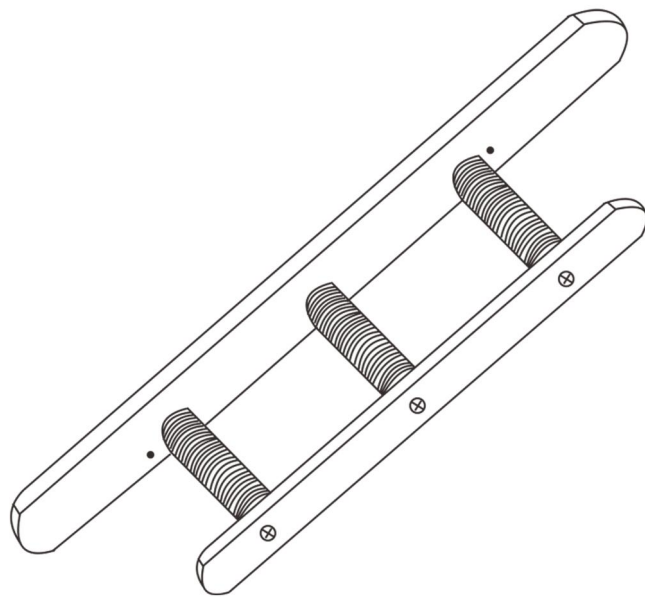


$c \times 2$

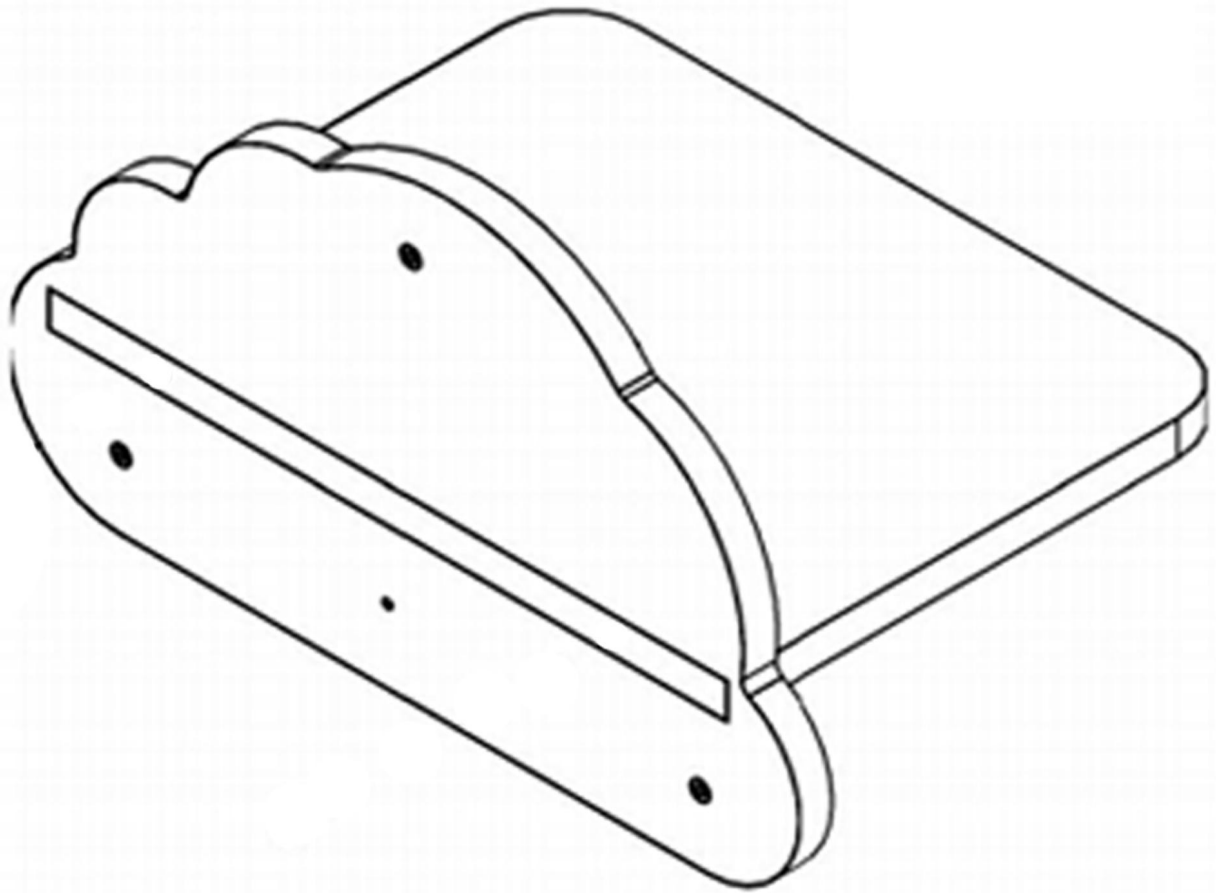
1



2



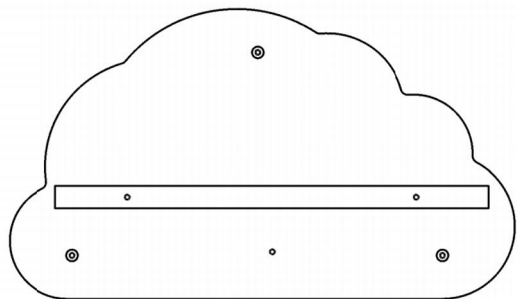
# Cat Wall Stepper Instructions



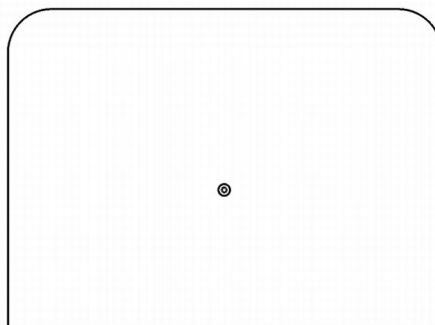
## CM13



**PET OMG**



A × 1



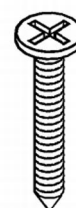
B × 1



C × 1



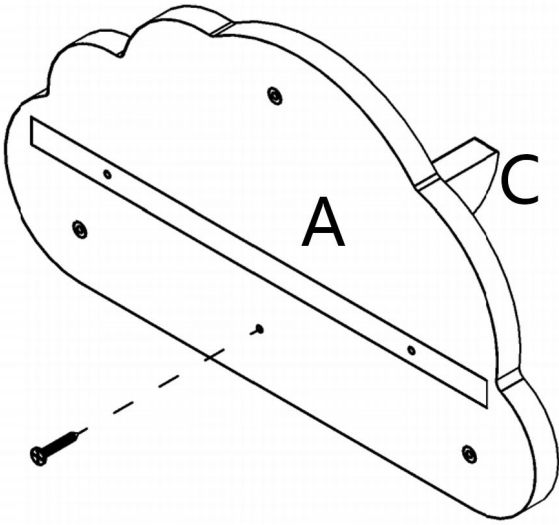
a × 3



b × 4

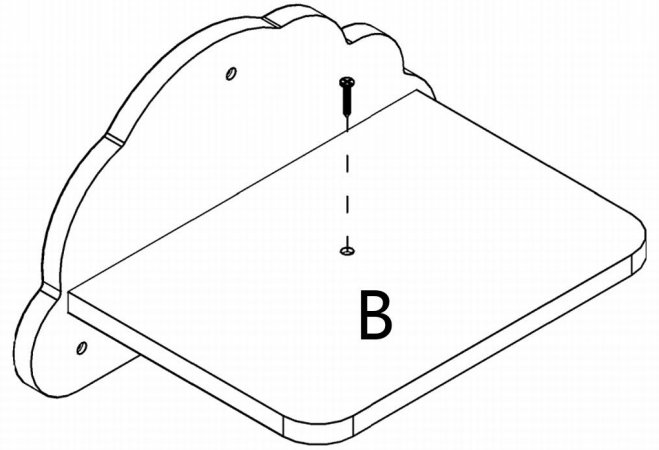
1

b × 1



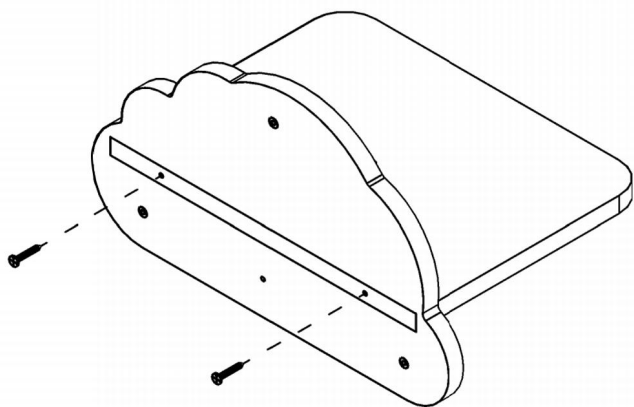
2

b × 1



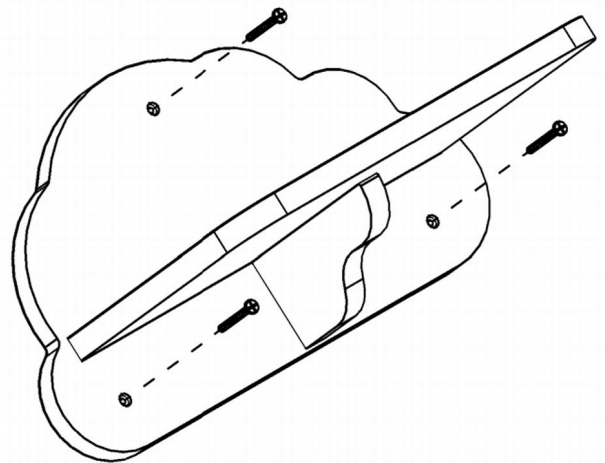
3

b × 2

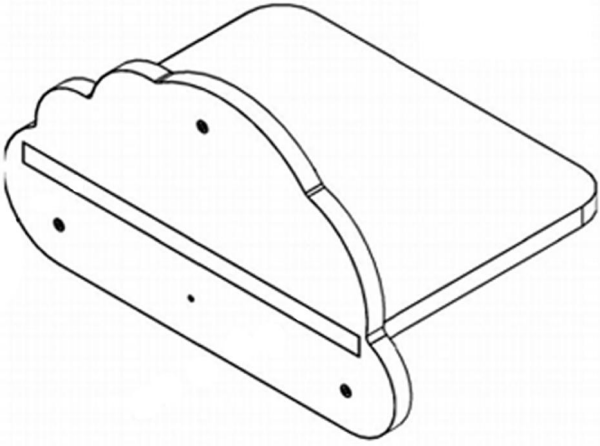


4

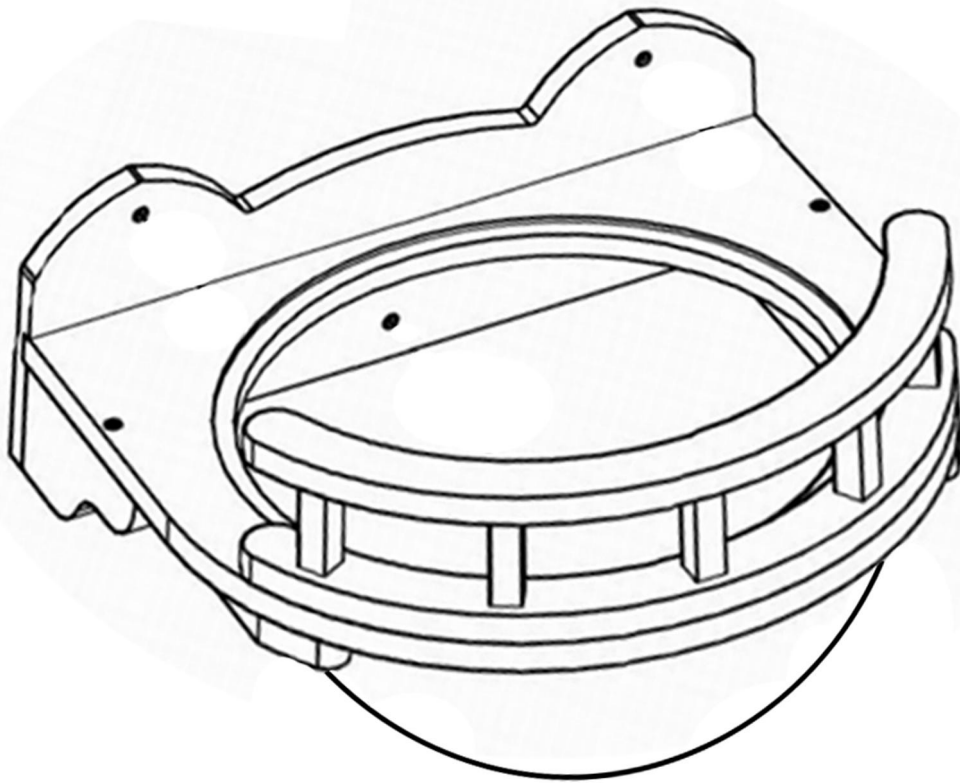
a × 3



5



# Cat Space Capsule Instructions

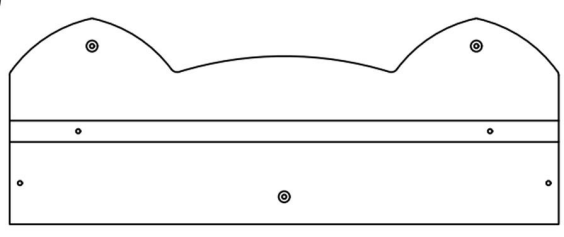
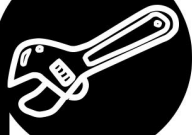


## CM09

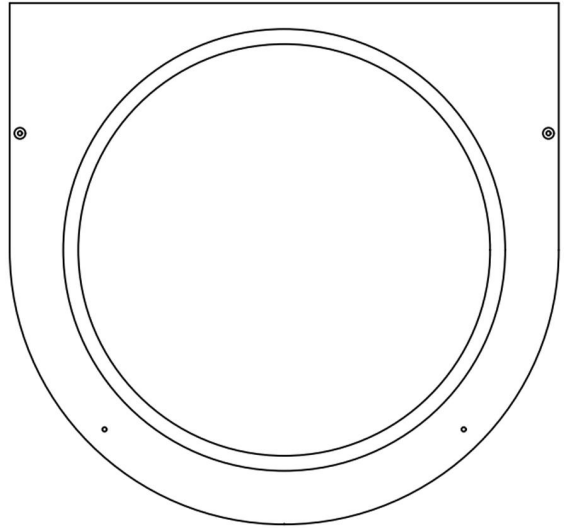


**PETOMG**





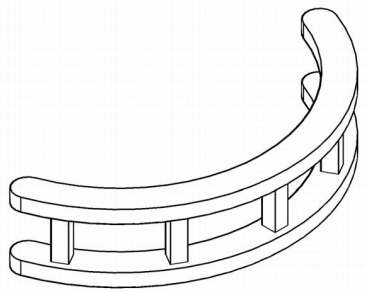
A x 1



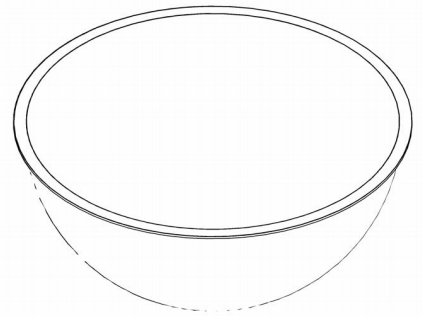
B x 1



C x 2



D x 1



E x 1



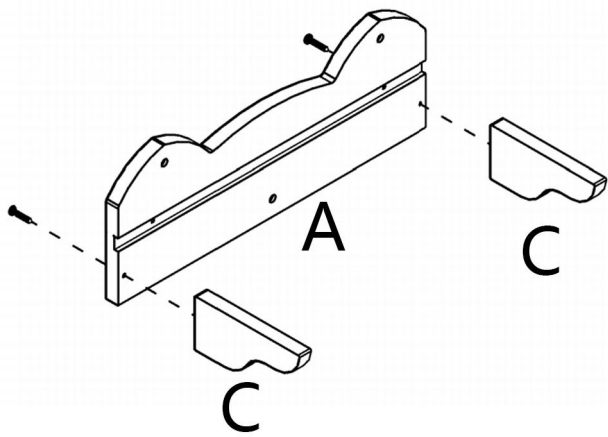
a x 3



b x 8

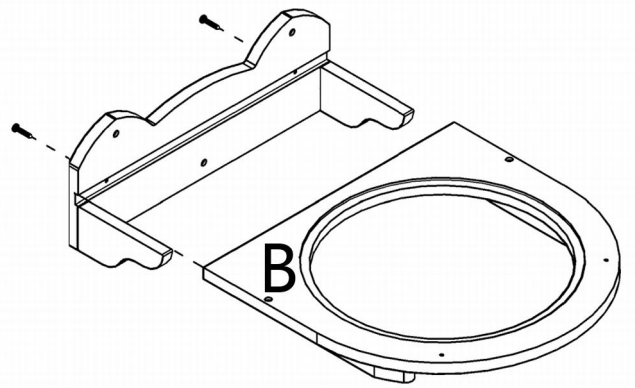
1

b × 2



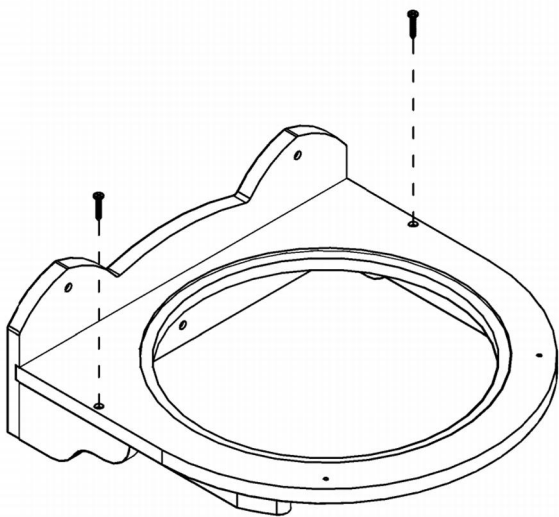
2

b × 2



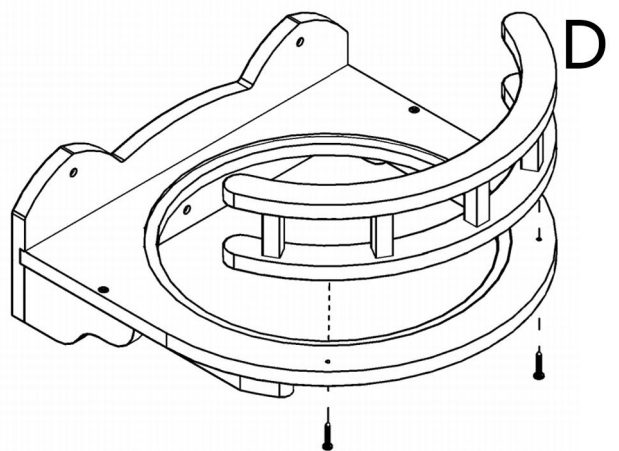
3

b × 2



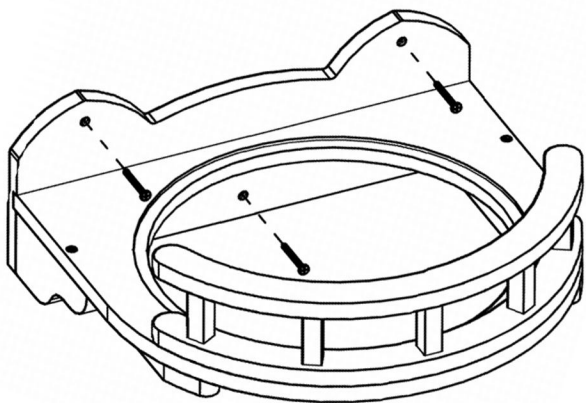
4

b × 2

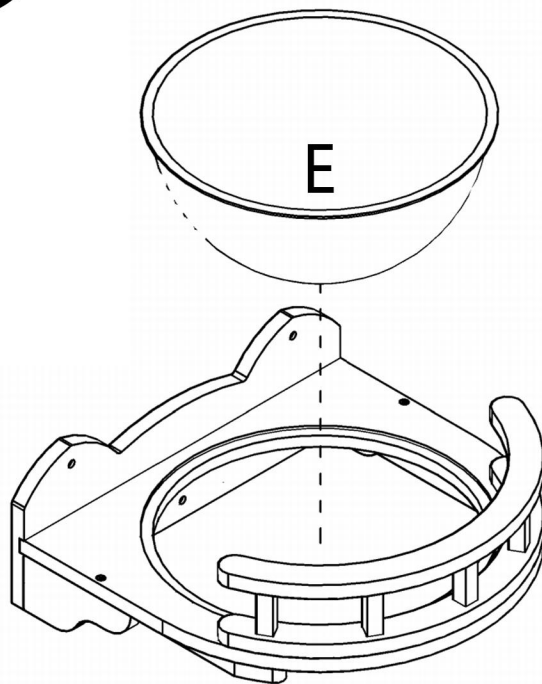


5

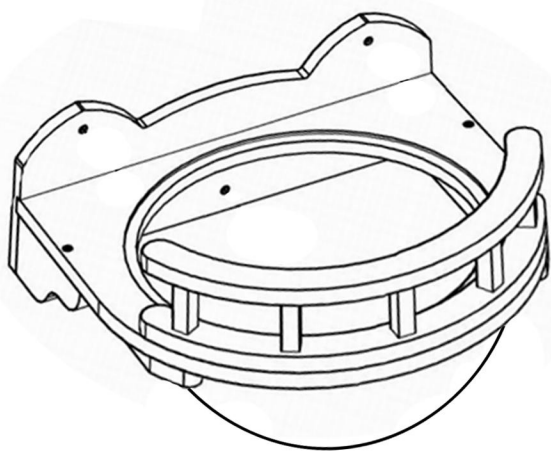
a x 3



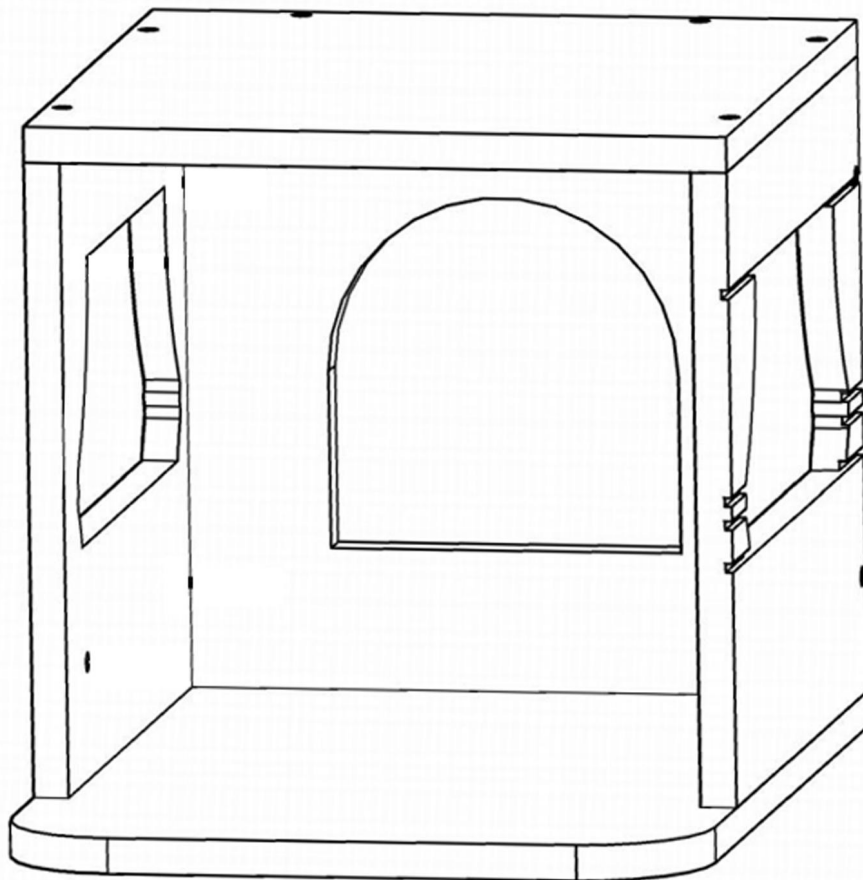
6



7



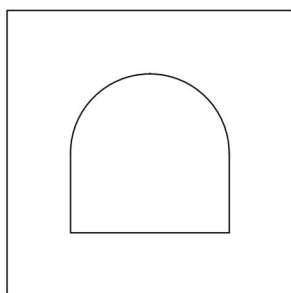
# Large Cat Perch Instructions



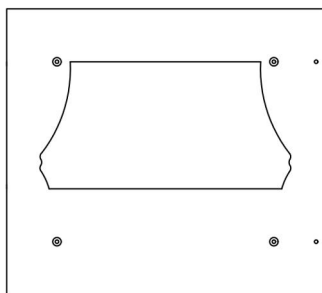
# CM11



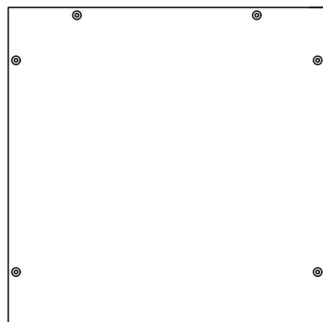
**PET OMG**



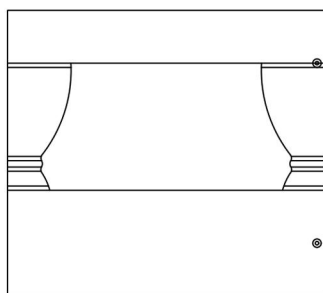
A × 1



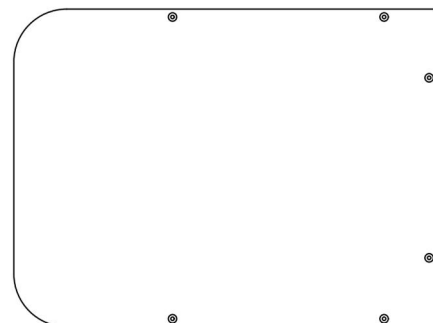
B × 1



C × 1



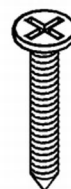
D × 1



E × 1



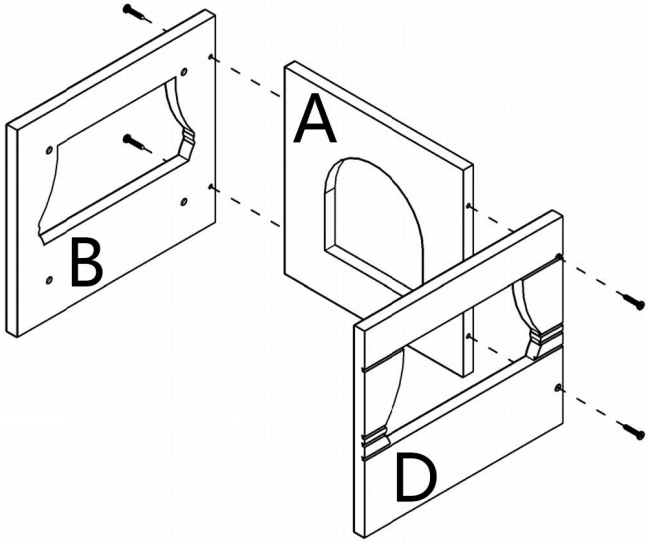
a × 6



b × 16

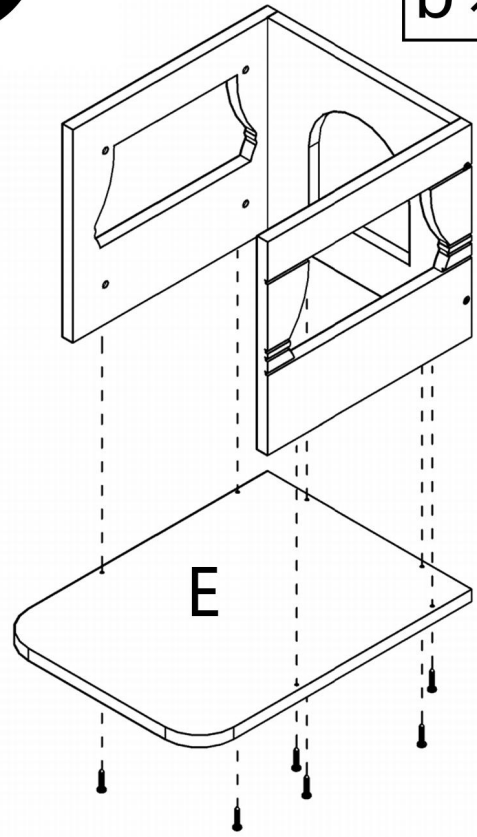
1

$b \times 4$



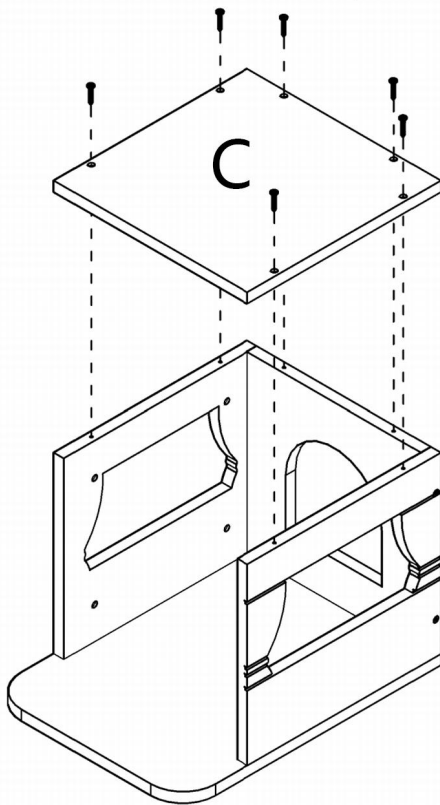
2

$b \times 6$



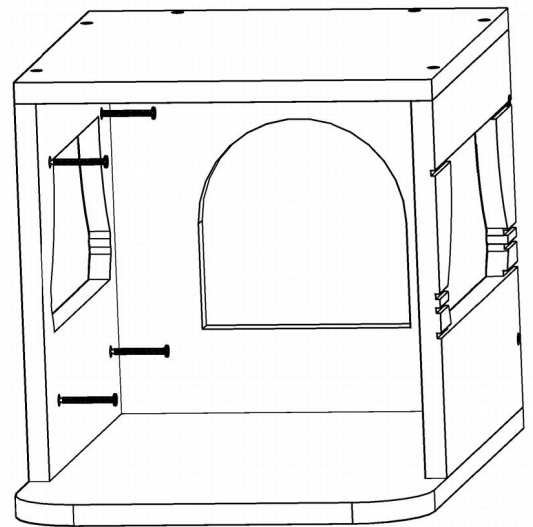
3

$b \times 6$



4

$a \times 4$



5

