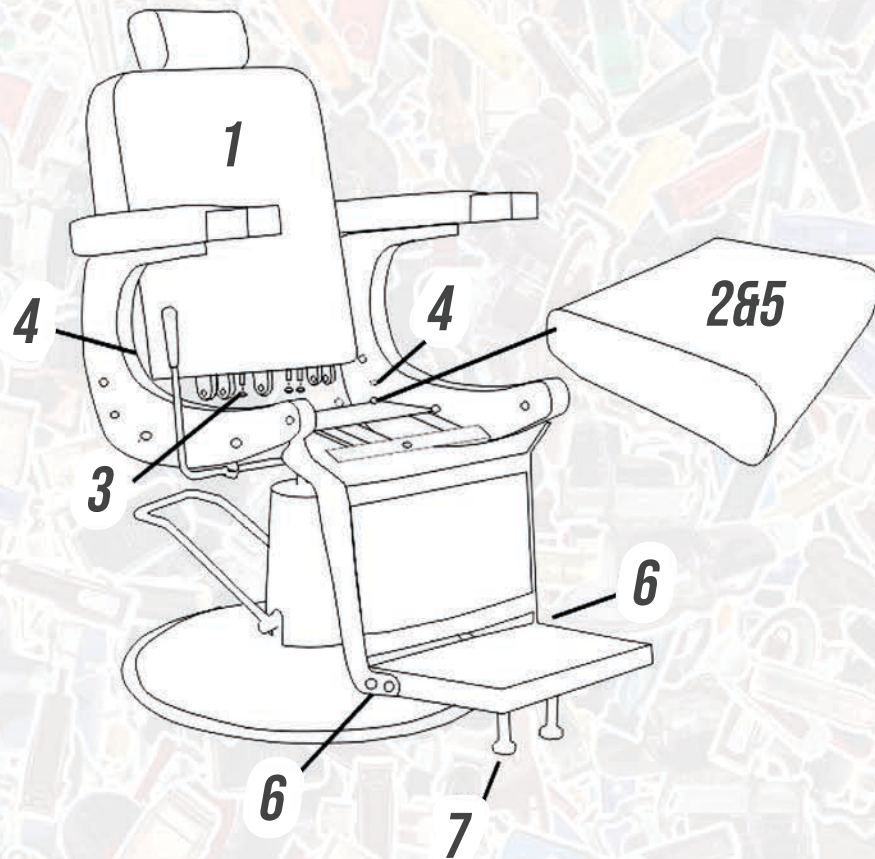


J&J Barber Supply Co.



1. PLACE THE BACKREST IN A VERTICAL POSITION
2. REMOVE THE SEAT
3. TIGHTEN THE NUTS WITH THE BRACKET
4. TIGHTEN THE 4 SCREWS OF BACKREST SIDE-BRACKETS TO THE CHAIR
5. SCREW THE SEAT TO THE CHAIR'S STRUCTURE
6. ALIGN AND ATACH THE 4 SCREW TO THE SIDE OF THE FOOT REST
7. ATTACH THE FOOT PEGS ONTO THE FOOTREST AND ADJUST THE HEIGHT.

A. THERE SHOULD BE A 1/4" GAP BETWEEN THE FLOOR AND PEG AT THE CHAIRS LOWEST SETTING

NOTE: IMPROPER ASSEMBLY WILL VOID WARRANTY