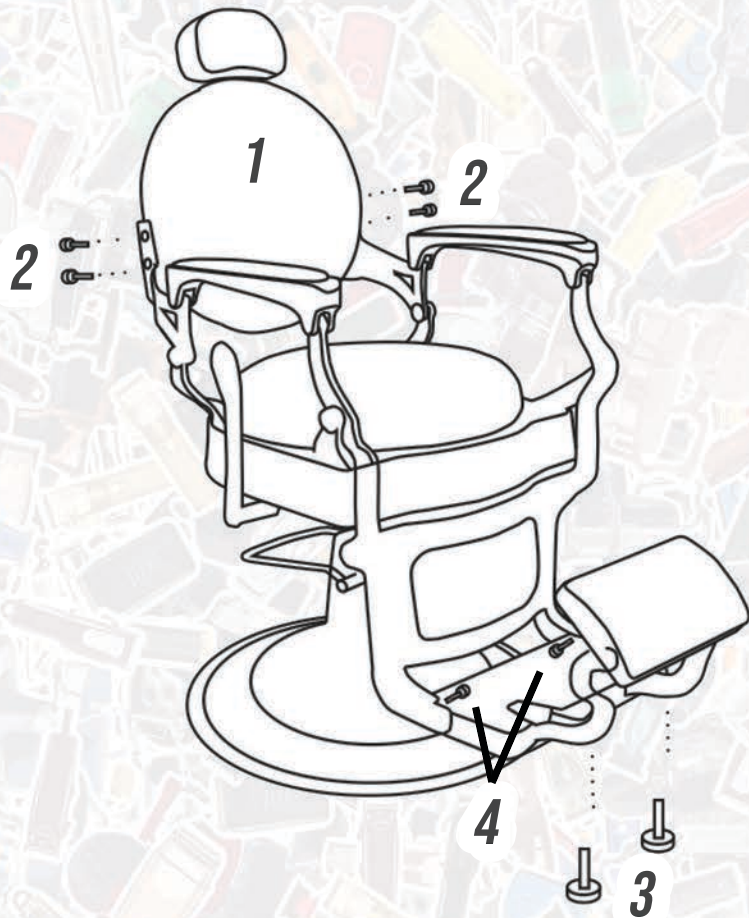


J&J Barber Supply Co.



1. PLACE THE BACKREST IN A VERTICAL POSITION
 2. SCREW THE BACKREST SIDES TO THE CHAIR WITH THE 4 PROVIDED SCREWS
 3. SCREW THE FOOT PEGS ONTO THE BOTTOM OF THE FOOTREST AND ADJUST THE HEIGHT.
A. THERE SHOULD BE A 1/4" GAP BETWEEN THE FLOOR AND PEGS AT THE CHAIRS LOWEST SETTING
 4. TIGHTEN THE 2 SET SCREWS UNDERNEATH THE FOOTREST WITH THE PROVIDED ALLEN KEY
- NOTE: IMPROPER ASSEMBLY WILL VOID WARRANTY**