

Technical Data

NORTH 7600 & 5400 SERIES FULL FACEPIECE



*North 7600 Series Full Facepiece
"The most comfortable medical grade silicone facepiece"*



*North 5400 Series Full Facepiece
"The best value facepiece"*

Product Description

The North 7600 and 5400 Series full facepiece is Latex free. Lens offers wide field of vision, standard nose cup, and reduces fogging and increases worker comfort. When used with the appropriate cartridges, filters and/or adapters, and within the appropriate Maximum Use Concentrations (MUC), North 7600 and 5400 Series full facepiece provide protection from gases, vapors and particulates.

These masks are not approved for protection for use in atmospheres that are Immediately Dangerous to Life and Health (IDLH), including atmospheres with less than 19.5% oxygen.

Certification

North 7600 and 5400 Series full facepiece are approved by the National Institute of Occupational Safety and Health (NIOSH) as:

1. air-purifying respirators when used with North cartridges and/or filters;
2. powered air-purifying respirators when used with North Compact Air PAPR and accompanying cartridges and/or HEPA filter; and
3. Type C continuous flow airline respirators when used with North CF2000 breathing tube, hoses and couplers.
4. **Polycarbonate lens meets ANSI for high impact**

NORTH 7600 & 5400 SERIES FULL FACEPIECE

Assigned Protection Factors

Air-Purifying Full Facepiece 50

Powered Air-Purifying Full Facepiece 1000

Continuous Flow Supplied Air Half Mask 1000

Ordering information

Product	Description	Pkg/Case
7600 Series		
760008A	Facepiece Assembly, Silicone, Medium/Large	1 EA
760008AS	Facepiece Assembly, Silicone, Small	1 EA
760008AW	Facepiece Assembly, Silicone, Medium/Large, Welding Attachment	1 EA
760008ASW	Facepiece Assembly, Silicone, Small, Welding Attachment	1 EA
5400 Series		
54001	Facepiece Assembly, Elastomeric, Medium/Large	1 EA
54001S	Facepiece Assembly, Elastomeric, Small	1 EA
54001W	Facepiece Assembly, Elastomeric, Medium/Large, Welding Attachment	1 EA
54001SW	Facepiece Assembly, Elastomeric, Small, Welding Attachment	1 EA

Country of Origin

7600 & 5400 Full Facepiece: Mexico

Shipping Weights & Dimensions

7600 Full Facepiece Weight: 2 lbs. Dimensions: 11.3" x 8.3" x 6.5"

7600 Full Facepiece with Welding Attachment Weight: 2.8 lbs. Dimensions: 11.3" x 8.3" x 6.5"

5400 Full Facepiece Weight: 2 lbs. Dimensions: 11.3" x 8.3" x 6.5"

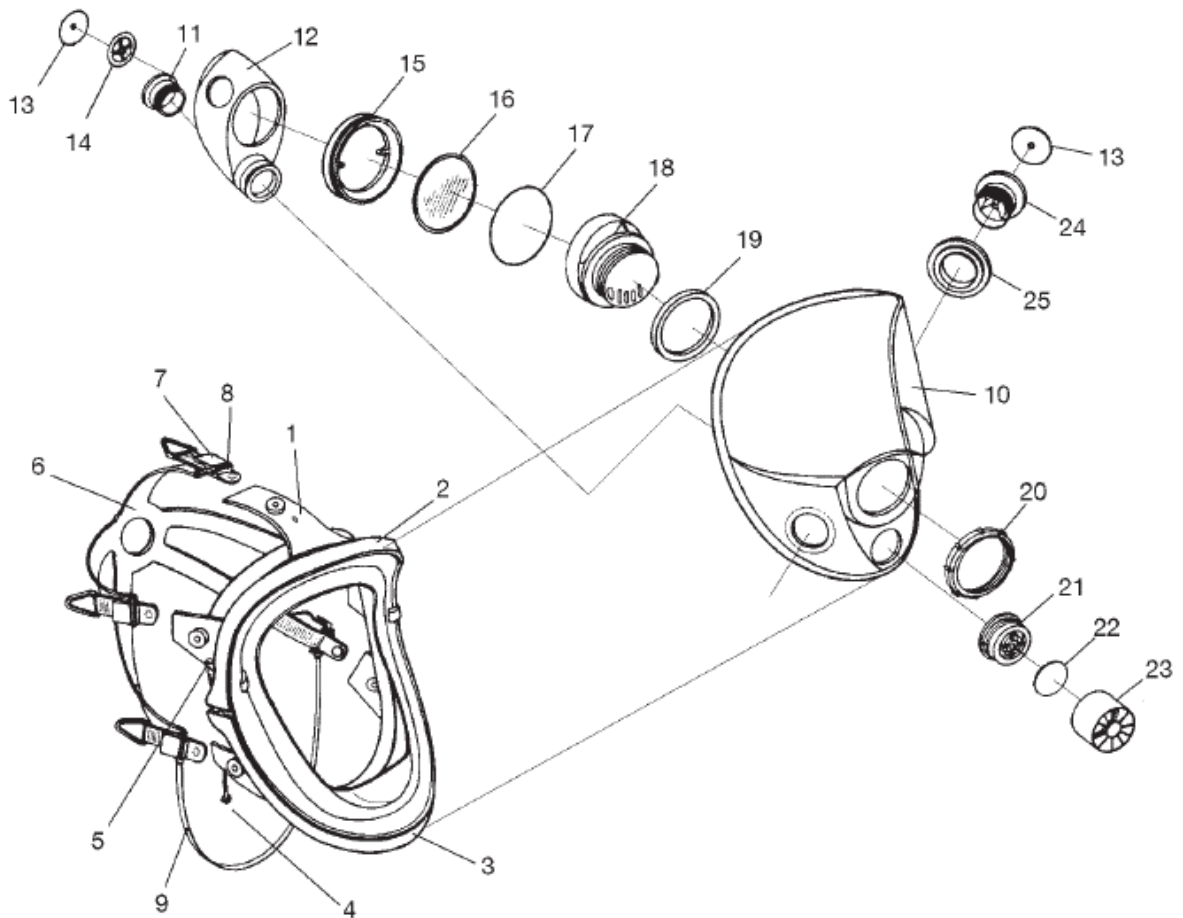
5400 Full Facepiece with Welding Attachment Weight: 2.5 lbs. Dimensions: 11.3" x 8.3" x 6.5"

NORTH 7600 & 5400 SERIES FULL FACEPIECE

Replacement Parts 7600 Series Full Facepiece

COMPONENTS, 7600 SERIES

ITEM NUMBER	CATALOG NUMBER	DESCRIPTION	ITEM NUMBER	CATALOG NUMBER	DESCRIPTION
1	80840	Basic Facepiece, Medium/Large	14	80814	Valve Seat, Inhalation
1	80801	Basic Facepiece, Small	15	80855	Locking Ring
2 & 3	80798	Lens Clamp, Upper & Lower	16	80856	Speech Diaphragm 80870-H5
4	80843	Screw, Lens Clamp	17	80857	O-Ring, Speech Diaphragm
5	80844	Nut, Lens Clamp	18	80858	Housing, Speech Diaphragm
6	80845	Head strap (less hardware)	19	80861	O-Ring, Speech Diaphragm Housing
7	80846	Latch, Head strap			
8	80847	Bail, Head strap	20	80862	Nut, Speech Diaphragm Housing
9	80848	Neckstrap Assembly	21	80863	Exhalation Valve Seat
10	80849	Lens	22	7700-18	Exhalation Valve
11	80852	Flange	23	80867	Exhalation Valve Guard
12	80815	Oral/Nasal Cup, Medium/Large	24	7700-16	Inhalation Connector
12	80800	Oral/Nasal Cup, Small	25	80871	Grommet
13	7700-17	Inhalation Valve			

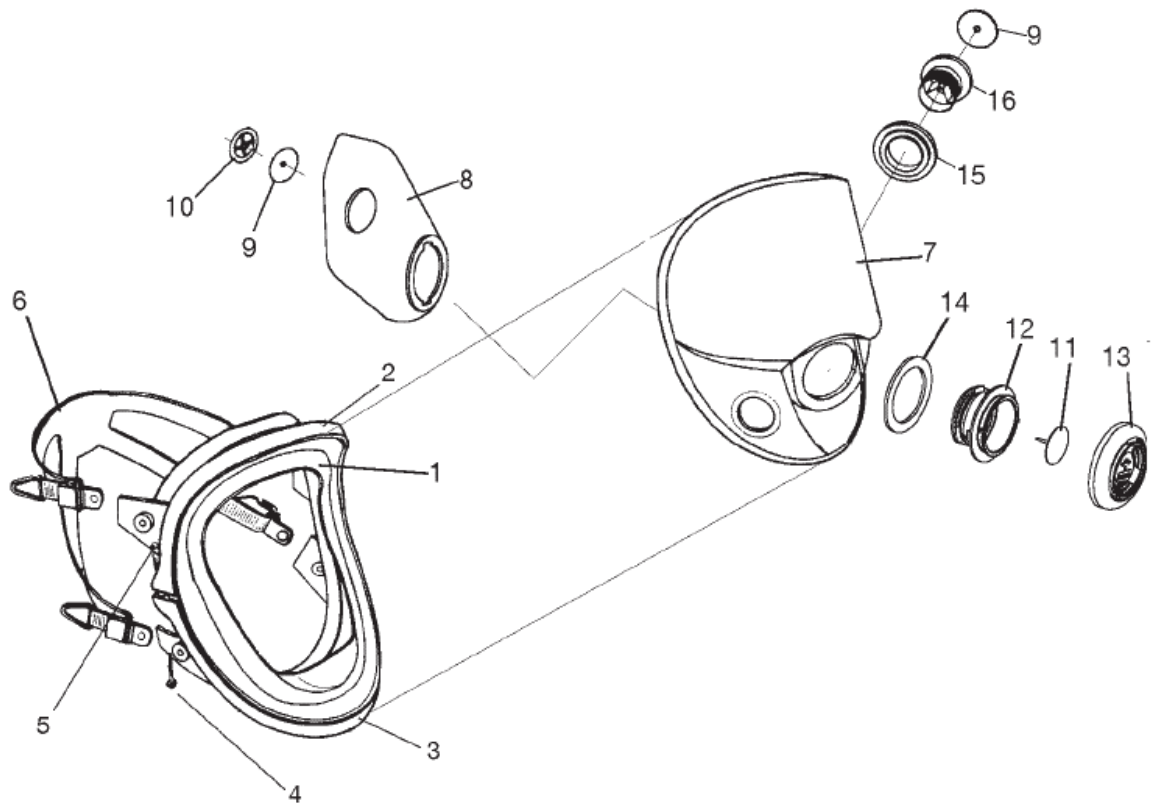


NORTH 7600 & 5400 SERIES FULL FACEPIECE

Replacement Parts 5400 Series Full Facepiece

COMPONENTS, 5400 SERIES

ITEM NUMBER	CATALOG NUMBER	DESCRIPTION	ITEM NUMBER	CATALOG NUMBER	DESCRIPTION
1	54002	Facepiece Seal, M/L	11	7700-18	Exhalation Valve
1	54002S	Facepiece Seal, Small	12	54007	Exhalation Housing
2 & 3	80798	Lens Clamp, Upper & Lower	13	54008	Cover, Exhalation Housing
4	80843	Screw, Lens Clamp	14	54003	Gasket (5 Pack)
5	80844	Nut, Lens Clamp	15	80871	Inhalation Connector
6	80757	Head strap Assembly	16	7700-16	Grommet
7	54005	Lens			
8	54006	Oral/Nasal Cup			
9	7700-17	Inhalation Valve			
10	80814	Valve Seal, Inhalation			



NORTH 7600 & 5400 SERIES FULL FACEPIECE

Warranties

Honeywell Safety Products warrants the 5400 Series to the original owner to be free from defects in materials and workmanship for a period of one (1) year from the date of original shipment from Honeywell's factory. Honeywell's obligation under this warranty will be, at Honeywell's option, to repair or replace without charge this facepiece or any of its components found by Honeywell to have been defective during the warranty period, under the following terms: 1) The warranty claim is made (i) by the owner who purchased this facepiece new from Honeywell or an authorized Honeywell Distributor, and (ii) not more than three (3) months after the end of the warranty period. 2) This facepiece or component is found by Honeywell to have been defective in normal use and service during the warranty period of one (1) year from the date of purchase by the owner. 3) This facepiece or component is returned freight prepaid to Honeywell, either to its factory or to a Honeywell authorized service center, and is thereafter returned to the owner freight collect. 4) This warranty does not apply to (i) any respirator or component found by Honeywell to have become defective as a result of any accident, alteration, misuse, abuse, or servicing with parts not approved by Honeywell; or (ii) deterioration or aging of any component made of rubber or other elastomer since such components can be adversely affected by undue exposure to heat, sun, water, chemicals, ozone or other deteriorating elements; (iii)) facepiece lens, compressed-air cylinders and parts that become defective through normal use. The decision as to what constitutes normal use shall be made solely by HONEYWELL SAFETY PRODUCTS. 5) To maintain this warranty, the purchaser must perform maintenance and inspections as set forth in the Instruction Manual which shall include prompt replacement or repair of defective parts, and replacement of parts per the maintenance schedule as set forth in the User's Instructions. THE OWNER ASSUMES ALL OTHER RISKS, IF ANY, SUCH AS THE RISK OF ANY DIRECT, INDIRECT OR CONSEQUENTIAL LOSS OR DAMAGE ARISING OUT OF THE USE OF, OR INABILITY TO USE, THE PRODUCT. SERVICING HONEYWELL SAFETY PRODUCTS RESPIRATORS WITH PARTS NOT APPROVED BY HONEYWELL WILL VOID THIS WARRANTY AND THE NIOSH APPROVAL FOR THE RESPIRATOR UNIT. THIS WARRANTY IS MADE IN LIEU OF ALL OTHER WARRANTIES, EXPRESS OR IMPLIED AND MAY NOT BE VARIED OR EXTENDED EXCEPT IN WRITING BY AN AUTHORIZED OFFICIAL OF HONEYWELL SAFETY PRODUCTS



by Honeywell