

Tonale Sofa

Sofa Wall Bed

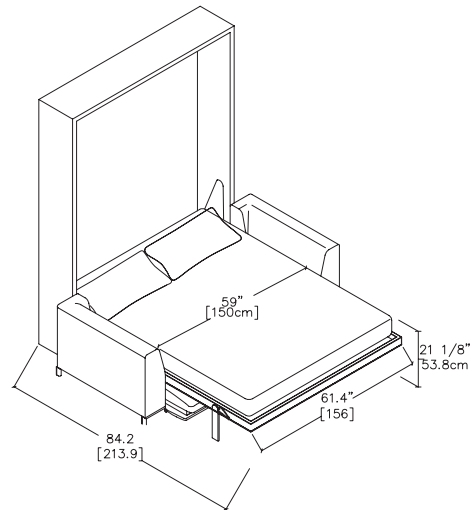
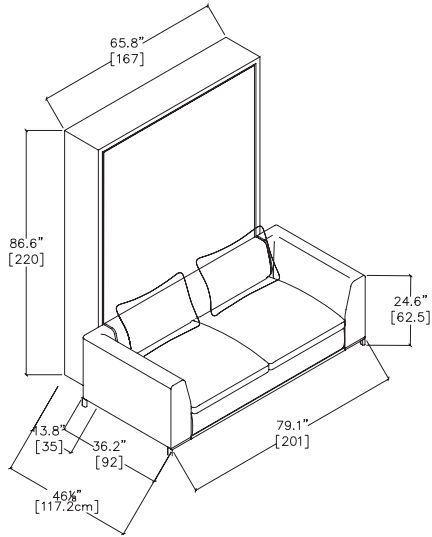


resource

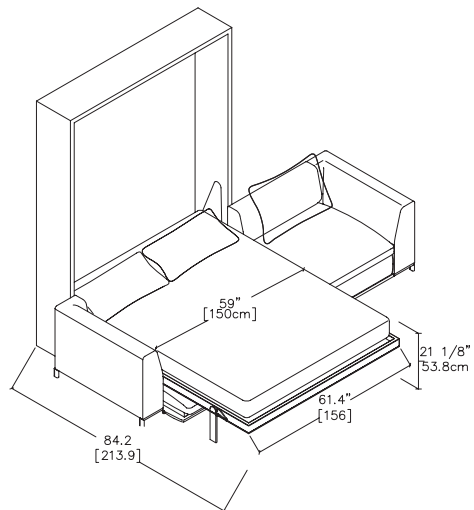
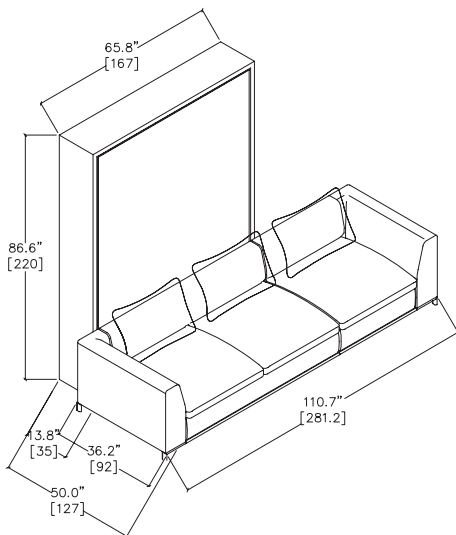
Tonale Sofa

SPECS

201 Regular Version



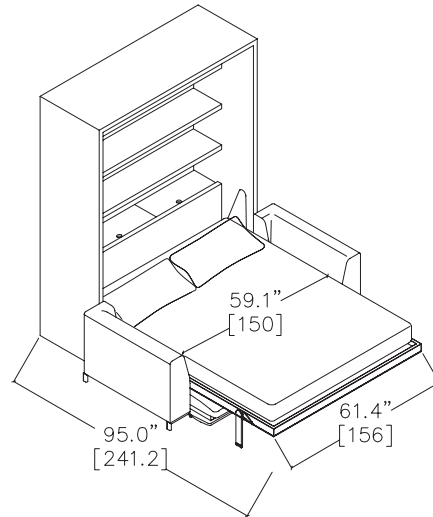
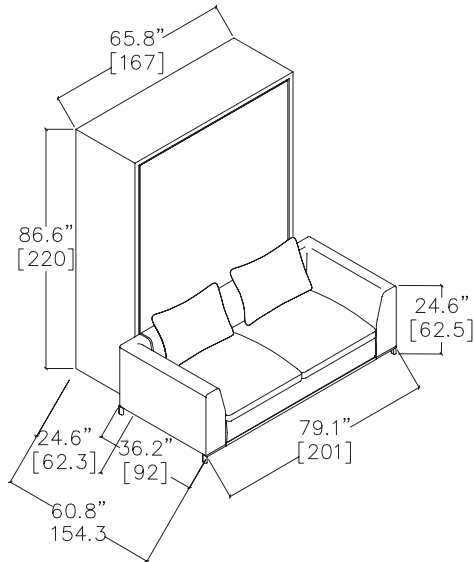
281 Regular Version



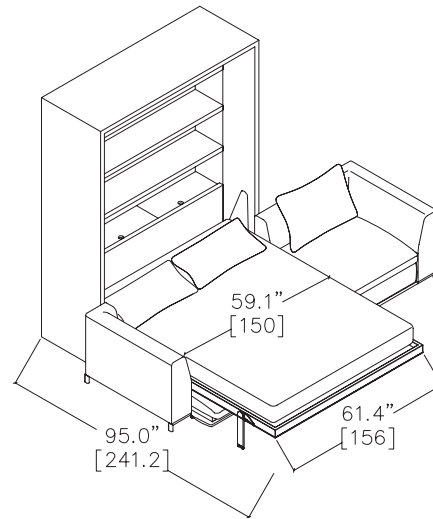
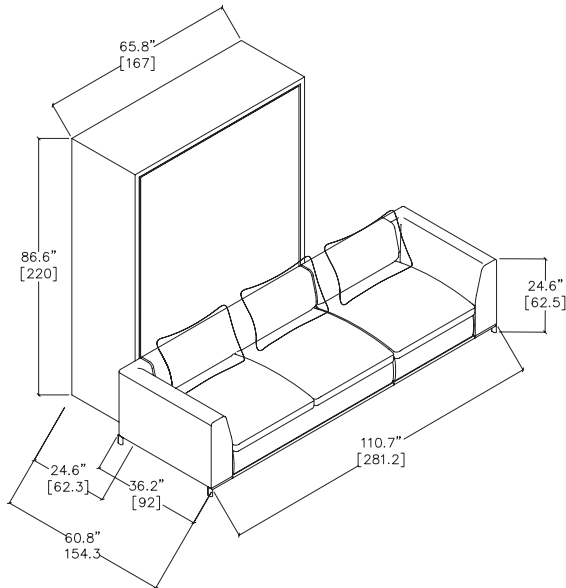
Tonale Sofa

SPECS

201 Book Version



281 Book Version



FINISHES / OPTIONS

Tonale Sofa available in a 2-seat version (shown here in isometric drawing) and a 3-seat version (shown here in image above and isometric drawing). Components available in a wide variety of VOC-free matte lacquers and melamine finishes. Three exclusive mattress options. Mattress dimensions are 59" x 78 3/4" x 7" | 150 x 200 x 18 cm. Interior LED lighting available.

RESOURCE

Toronto
Vancouver
San Francisco
Seattle
Calgary
Los Angeles
New York City