

# Penelope 2

Queen Vertical Wall Bed



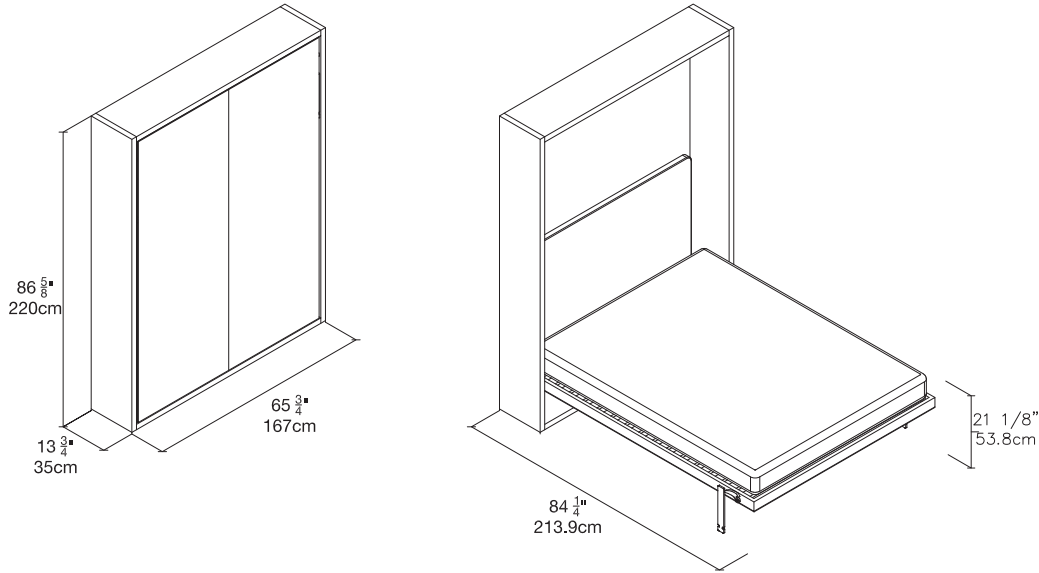
# Penelope 2

Calgary  
Vancouver  
Mexico City

Los Angeles  
Seattle  
Toronto

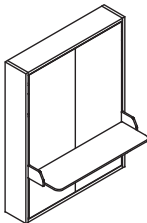
New York City  
Washington, D.C.  
San Francisco

## SPECS

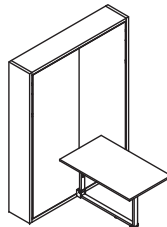


## ALSO AVAILABLE

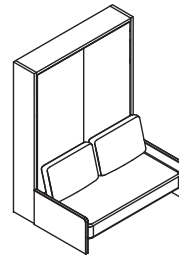
Penelope 2 Board



Penelope 2 Dining



Penelope 2 Sofa



## FINISHES / OPTIONS

Available in motorized version. Components available in a wide variety of VOC-free matte lacquers and melamine finishes. Three exclusive mattress options. Mattress dimensions are 59" x 78 3/4" x 7" | 150 x 200 x 18 cm. Interior LED lighting available. Headboard upholstered in fabric or leather.

RESOURCE