

Assembly Instructions

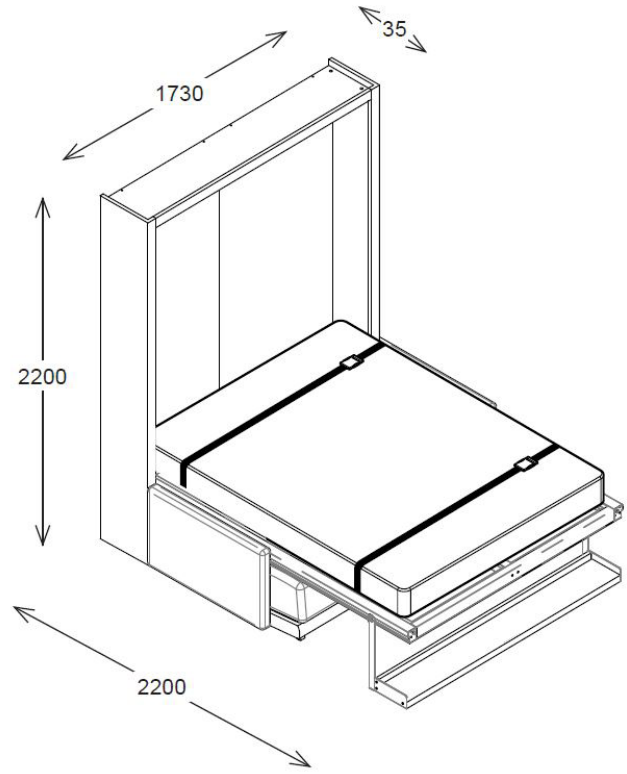
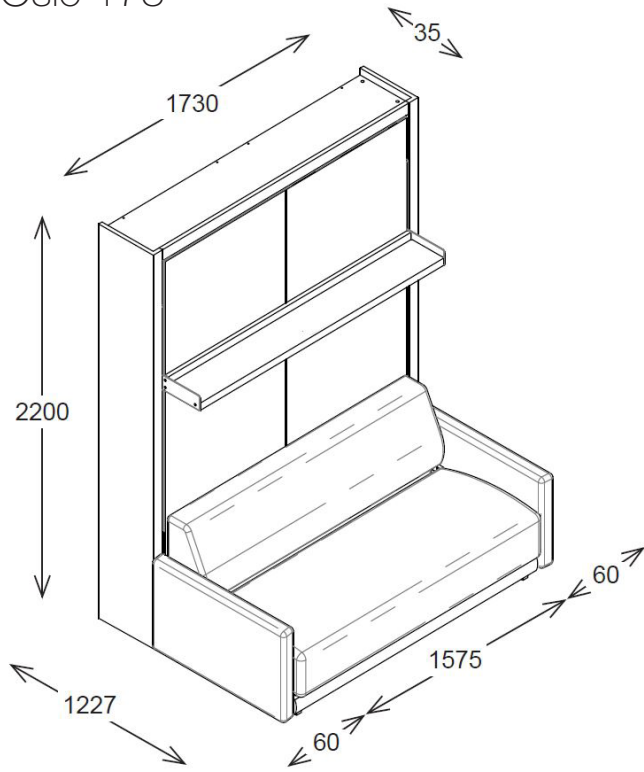
Oslo



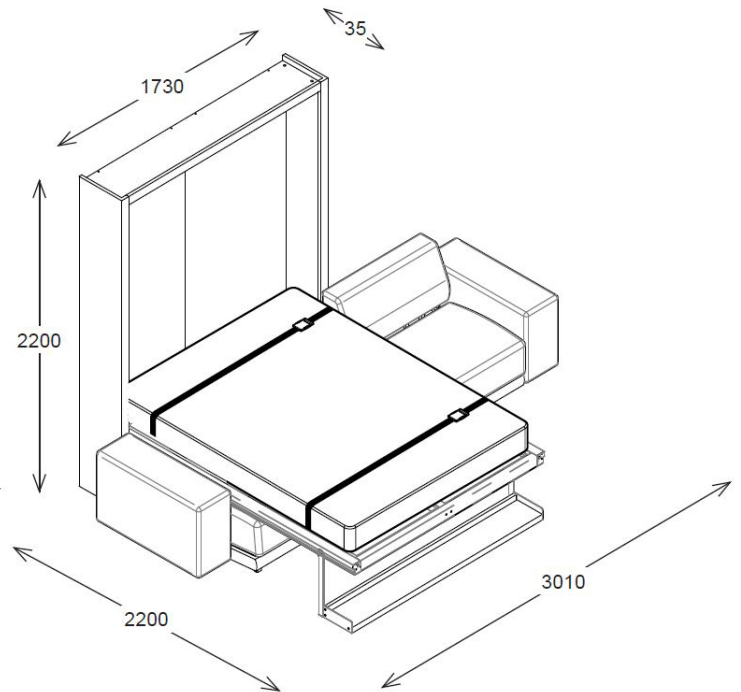
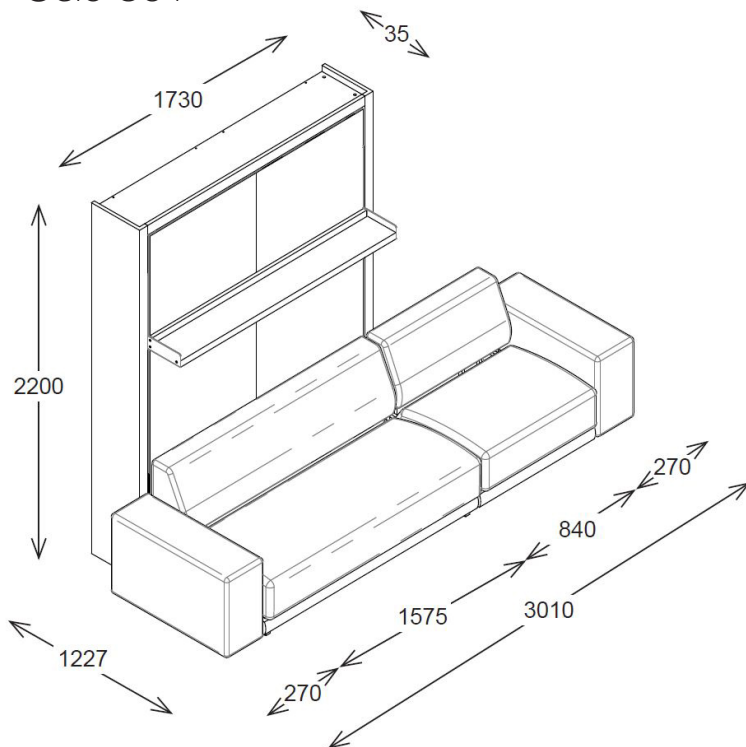
resource

OSLO

Oslo 173










Oslo 301



WARNING

READ CAREFULLY BEFORE BEGINNING INSTALLATION.

IMPROPER INSTALLATION OF THE PRODUCT MAY CAUSE SERIOUS INJURY

-  Installation must be performed by a licensed contractor or a trained professional, who will ensure proper assembly and installation.
-  Installation must be performed by at least 2 people.
-  Improper installation of this product can cause serious or fatal injury.
-  Improper installation may result in permanent damage to the bed.
-  The wall bed must be secured to the wall in four locations using appropriate hardware. The contractor or installer must select the proper anchoring hardware.
 - The wall anchors included are for solid concrete walls only.
 - Walls with wooden studs: Wood screws must be screwed into wooden studs in the wall.
 - Any other wall composition: A proper wall anchor suitable for the wall's construction must be selected by the contractor or installer.
-  No anchor can be used twice. If the product is removed from the wall, new anchor holes must be drilled and new hardware must be used.
-  All hardware must be properly tightened. No parts of the model should be left loose or unstable.

Warranties for all products purchased from Resource Furniture, LLC are only valid if the product has been properly assembled, installed by a trained professional, and operated in accordance with the assembly instructions.

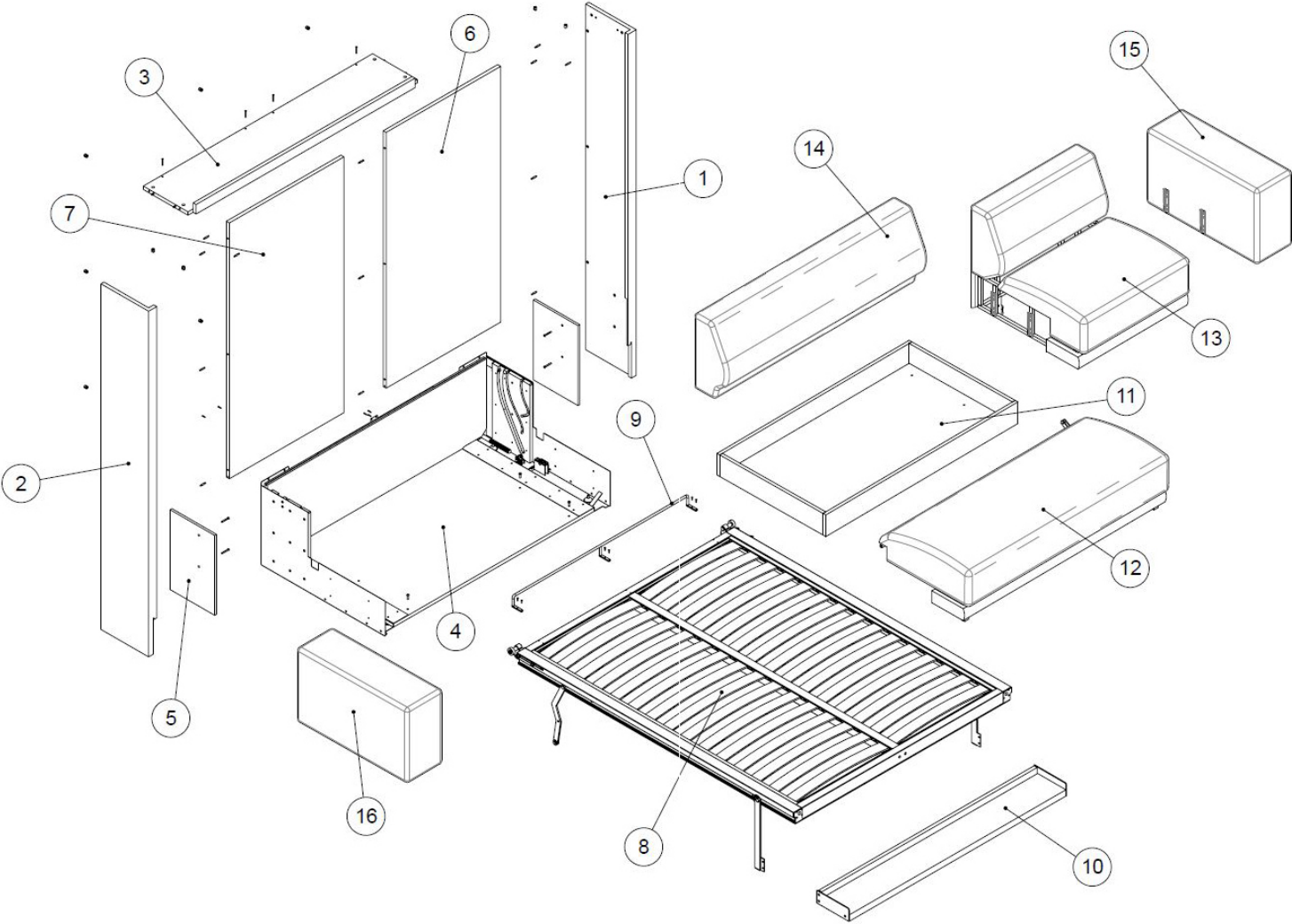
Resource Furniture accepts no responsibility for any damage or injury caused by improper installation.

STRUCTURAL PARTS - OSLO 301

CODE	QUANTITY	COMPONENT
1	1	Right Side Panel
2	1	Left Side Panel
3	1	Top Horizontal Panel
4	1	Base
5	2	Left/Right Small Side Panels (already attached to parts 1 & 2)
6	1	Right Back Panel
7	1	Left Back Panel
8	1	Bedframe
9	1	Mattress Support Bar
10	1	Shelf
11	1	Sofa Underseat Storage Box
12	1	Padded Sofa Seat
13	1	Sofa Seat Extension
14	1	Padded Sofa Backrest
15	1	Right Armrest
16	1	Left Armrest

ASSEMBLY OF THE STRUCTURE

Oslo 301

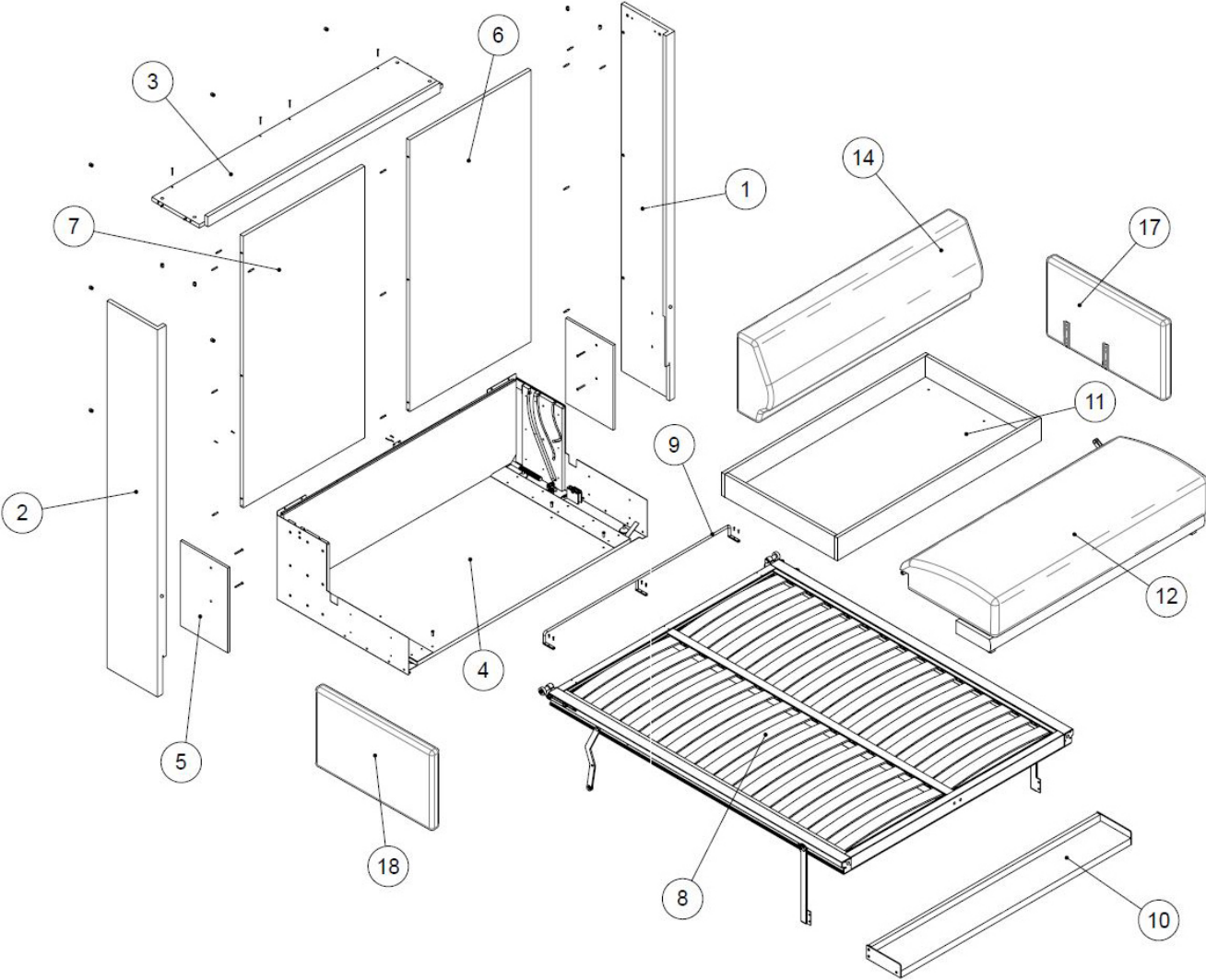


STRUCTURAL PARTS - OSLO 173

CODE	QUANTITY	COMPONENT
1	1	Right Side Panel
2	1	Left Side Panel
3	1	Top Horizontal Panel
4	1	Base
5	2	Left/Right Small Side Panels (already attached to parts 1 & 2)
6	1	Right Back Panel
7	1	Left Back Panel
8	1	Bedframe
9	1	Mattress Support Bar
10	1	Shelf
11	1	Sofa Underseat Storage Box
12	1	Padded Sofa Seat
14	1	Padded Sofa Backrest
17	1	Right 60 mm Armrest
18	1	Left 60 mm Armrest

ASSEMBLY OF THE STRUCTURE

Oslo 173



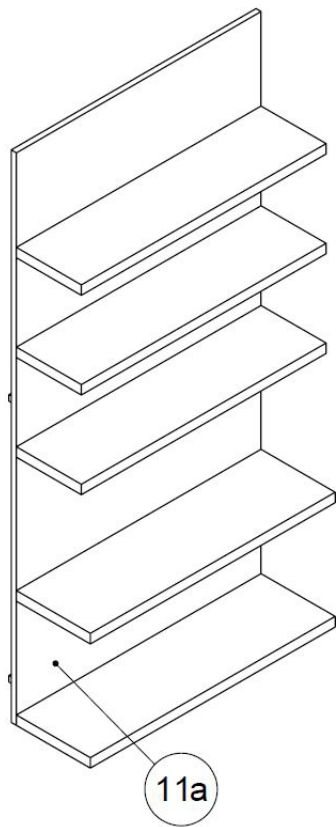
STRUCTURAL HARDWARE - ALL VERSIONS

CODE	QUANTITY	COMPONENT	DESCRIPTION	
A	13	7 x 36 6MA	Pins	
B	13	D15 L17	Cam Connectors	
C	7	3.5 x 20	Screws for back panels	
D	4	5MA x 50 TPSE	Screws for side panels	
E	6	4MA x 18 TBCE	Screws for mattress support bar	
F	4	4 x 40	Screws to attach top panel	
G	2		Screws to secure sofa levers	
H	2	8MA	Nuts to secure sofa levers	
I	4	6MA x 20		
J	4	D8 x 18	Washers to secure sofa levers	
K	4	6MA x 25	Screws for storage box	

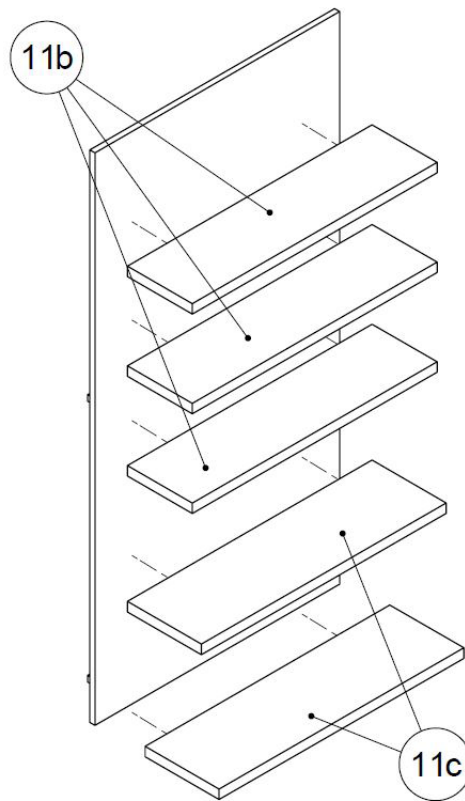
TOOL KIT - ALL VERSIONS

QUANTITY	COMPONENT	
1	3mm Allen Wrench	
1	4mm Allen Wrench	
1	5mm Allen Wrench	
1	8mm Allen Wrench	

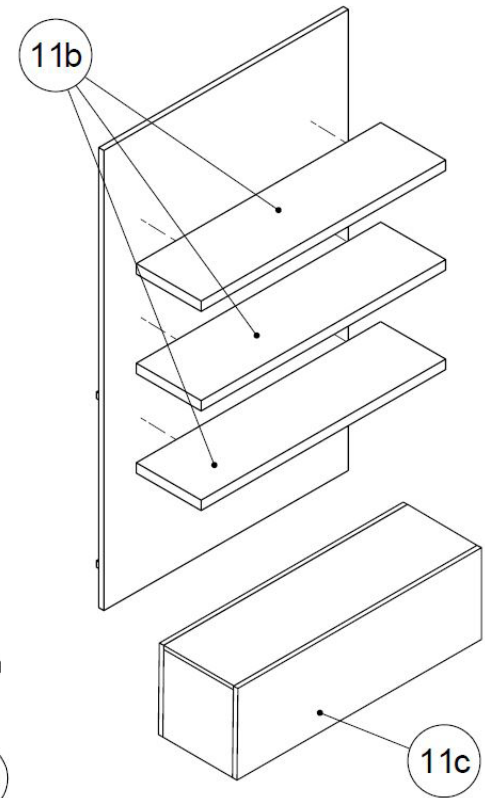
Boiserie Shelves (287mm)



Boiserie Panel



Boiserie Shelves (327mm)



Boiserie Box

BOISERIE PANEL HARDWARE		
CODE	DESCRIPTION	
M	Metal Shelf Pins	
N	Boilts for Shelf Pins	
O	Boiserie Bar	
P	Wall Anchors	

ASSEMBLY OF THE STRUCTURE

IMAGE 1

Attach the ② left side panel to the ④ base using 2 ③ screws.

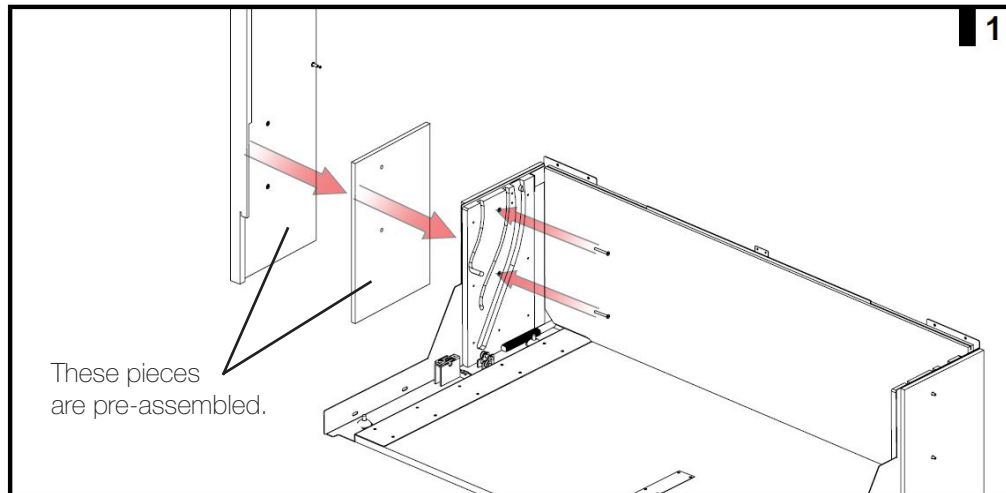
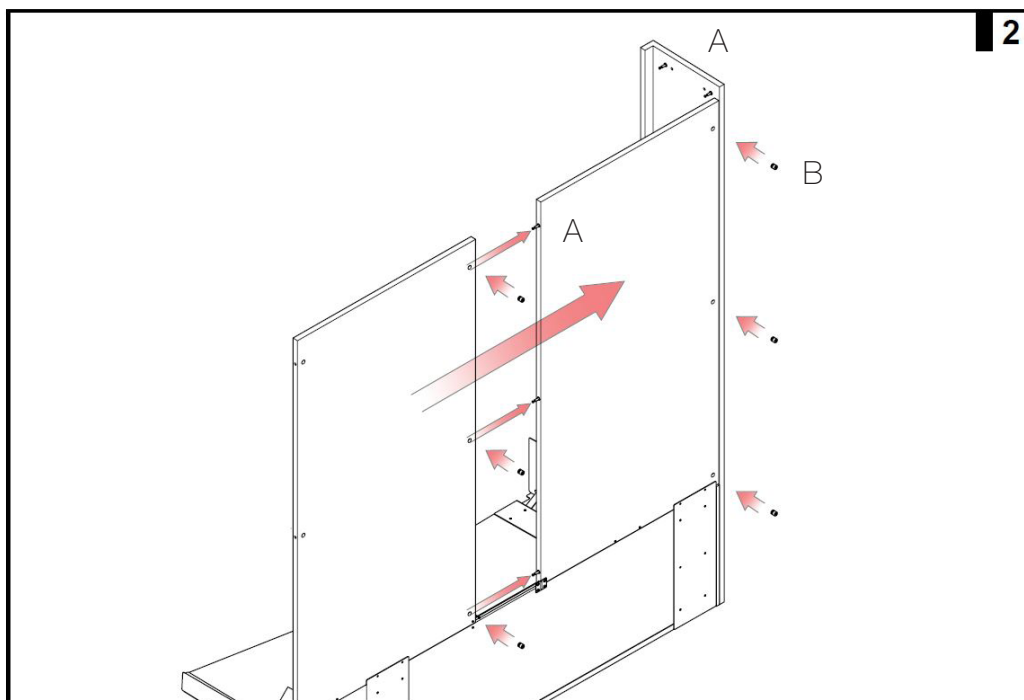


IMAGE 2

Attach the ⑦ left back panel to the ② left side panel using 3 ① pins and 3 ② cam connectors.

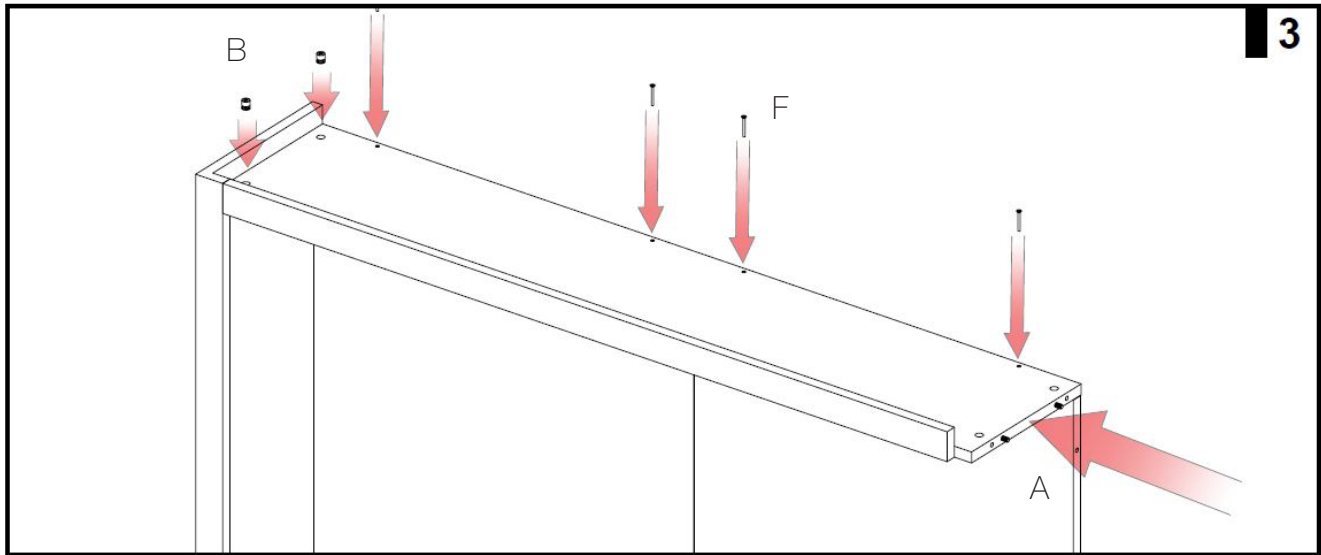
Attach the ⑥ right back panel to the ⑦ left back panel with 3 ① pins and 3 ② cam connectors.



ASSEMBLY OF THE STRUCTURE

IMAGE 3

Attach the ③ top horizontal panel to the ② left side panel with 2 ① pins and 2 ② cam connectors, and to the back panels with 4 ③ screws.

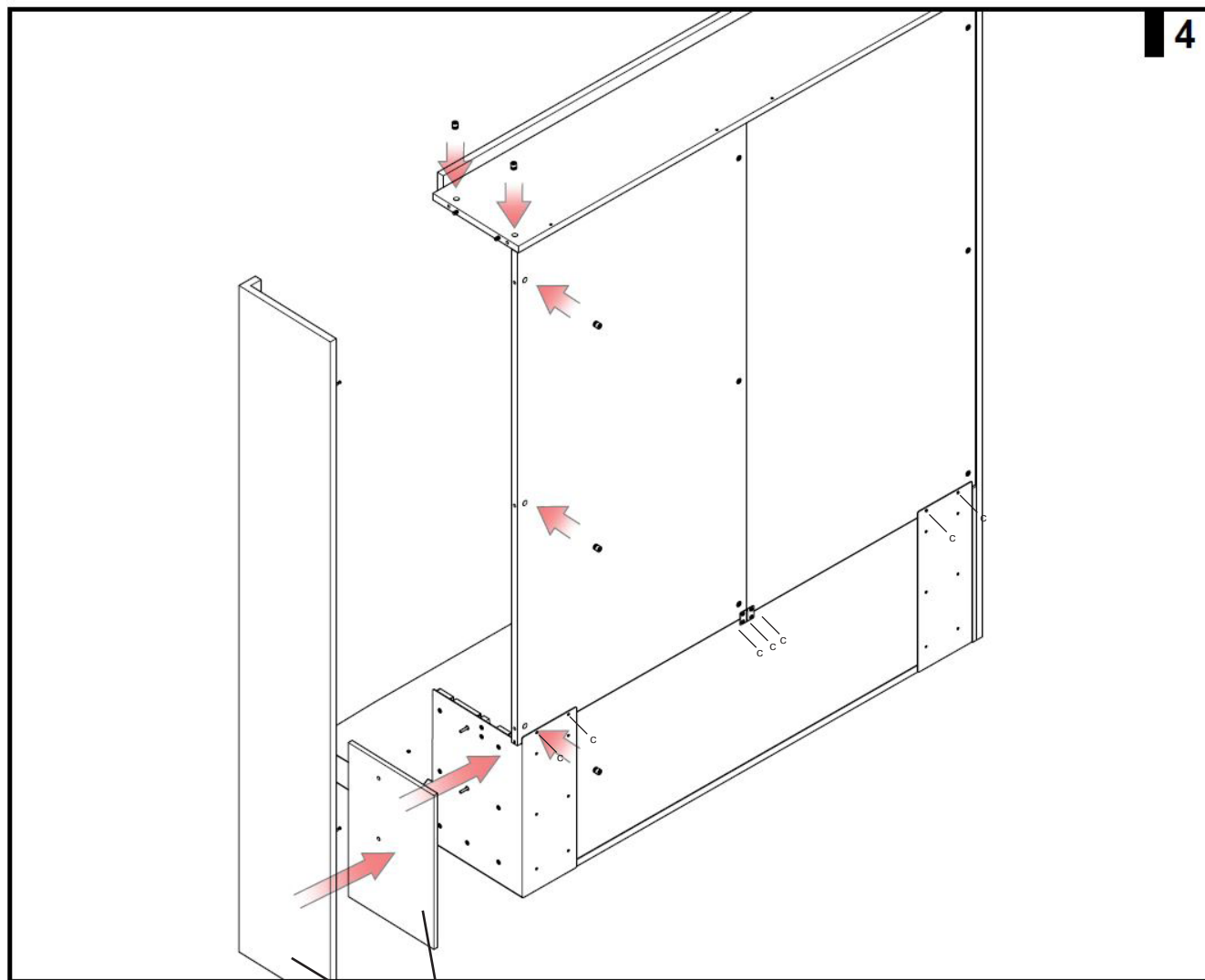


ASSEMBLY OF THE STRUCTURE

IMAGE 4

Attach the ① right side panel to the ④ base using 2 ④ screws, and to the top horizontal panel and back panels with 5 ① pins and 5 ② cam connectors

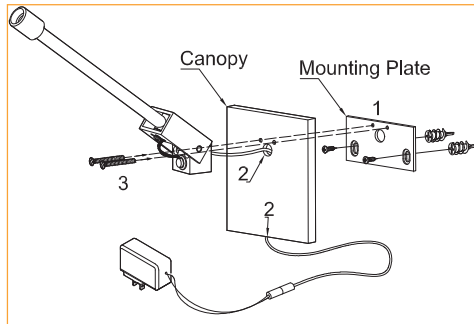
Secure the back panels to the base using 7 ③ screws.



These pieces
are pre-assembled.

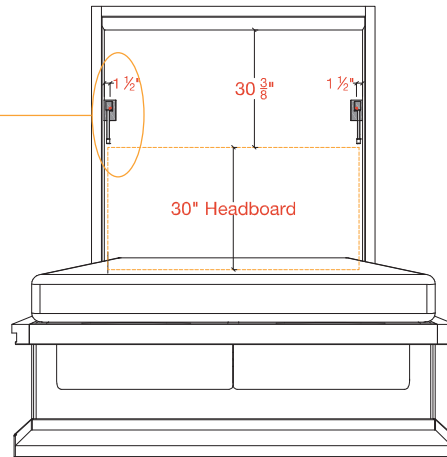
OPTIONAL WAND LIGHTING

- 5** Drill $\frac{1}{2}$ " hole at $21\frac{3}{8}$ " measured downward from the inside of the top of structure and $\frac{1}{2}$ " in from the left and or right vertical side panel (on the inside). Install mounting plate with provided wood screws.

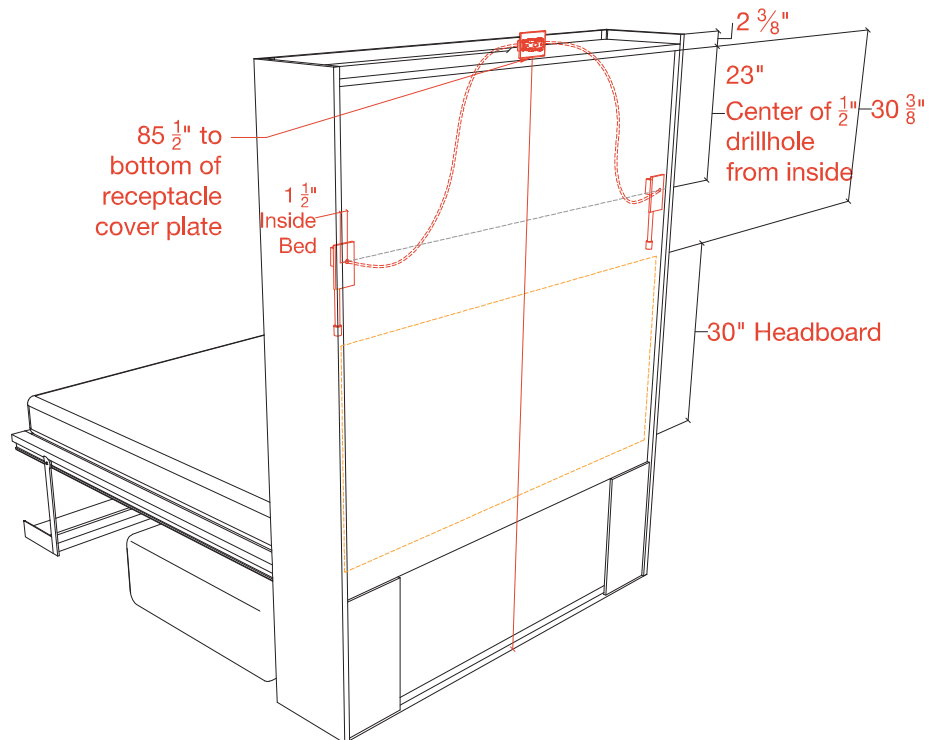


Wand Light Exploded Diagram

Cord Length = 118"



Front



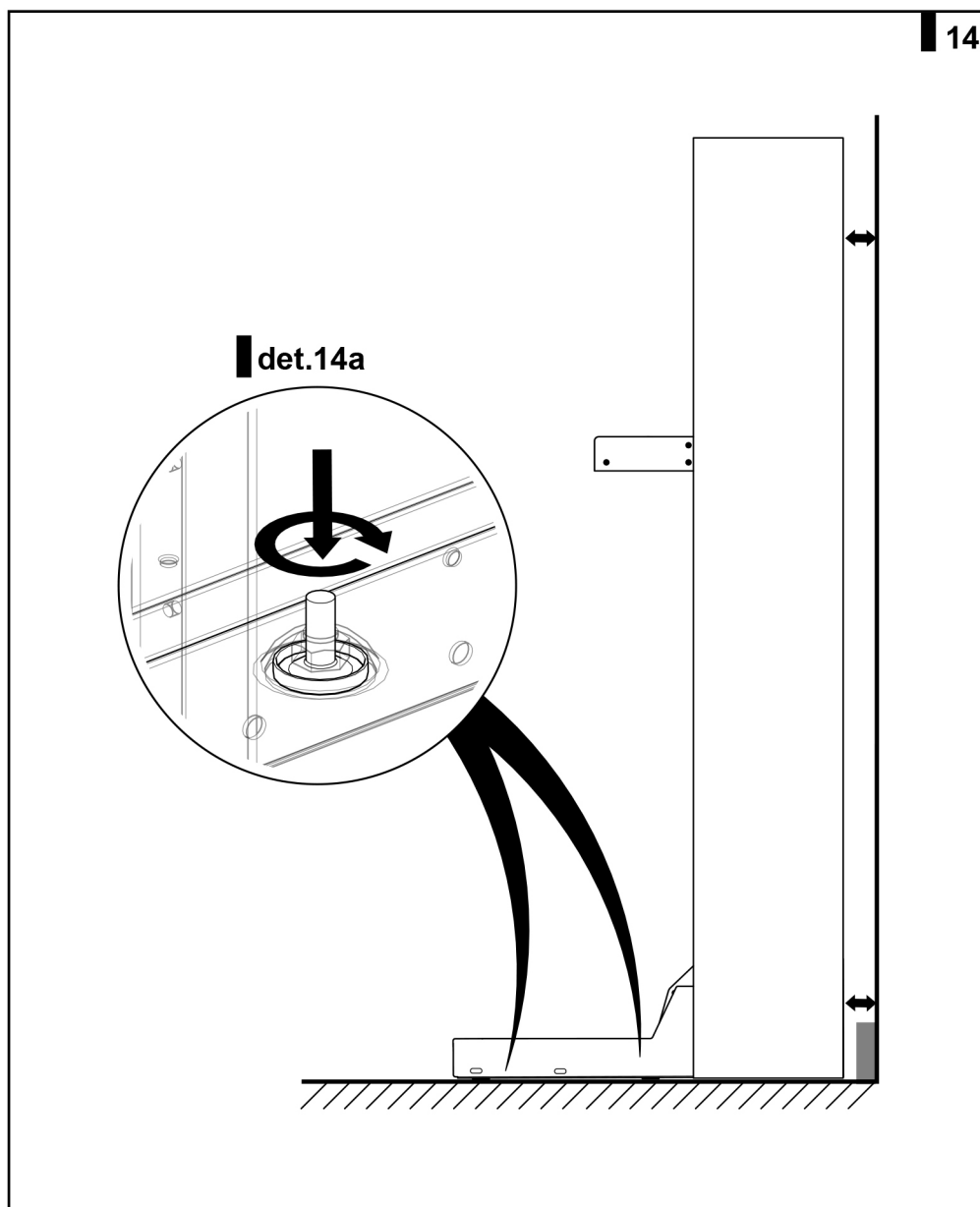
Back

ASSEMBLY OF THE STRUCTURE

IMAGE 14

Ensure that the structure is level and plumb.

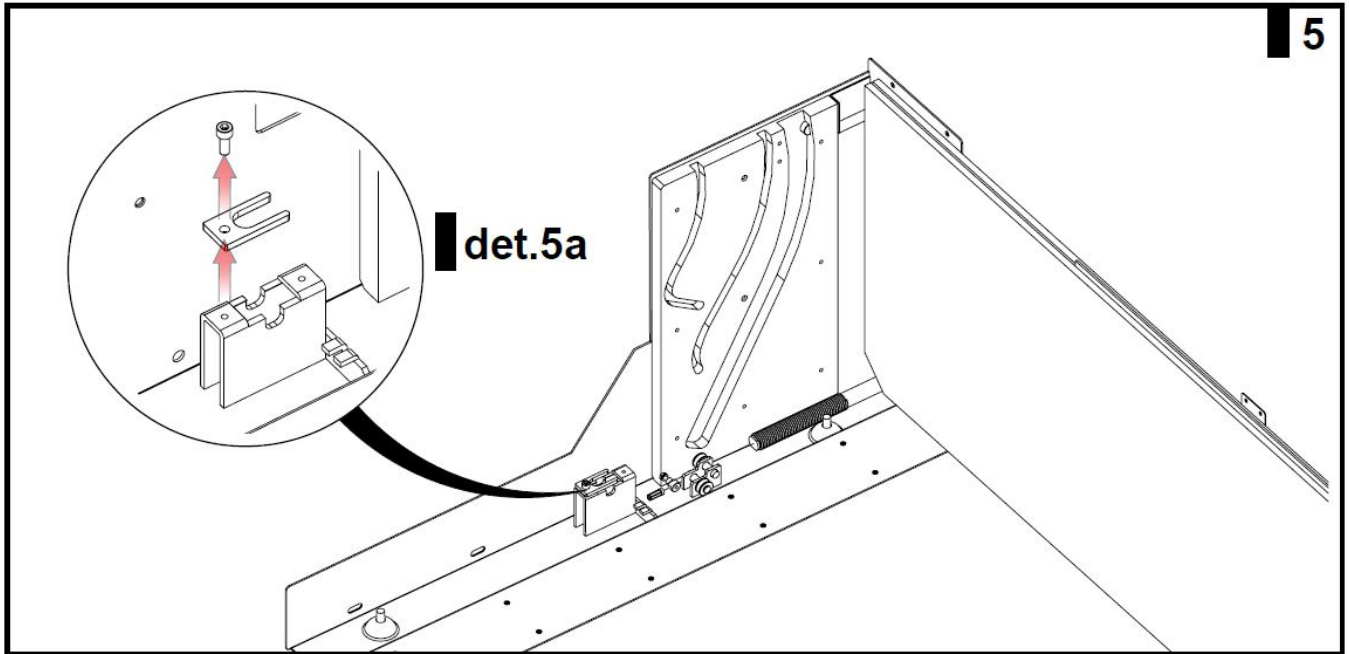
To compensate for any floor unevenness, use the adjustable feet on the bottom panel (det. 14a) to level the structure.



ASSEMBLY OF THE BED FRAME

IMAGE 5

Unscrew the safety plates fixed to the ④ structure base, as shown in det. 5a.



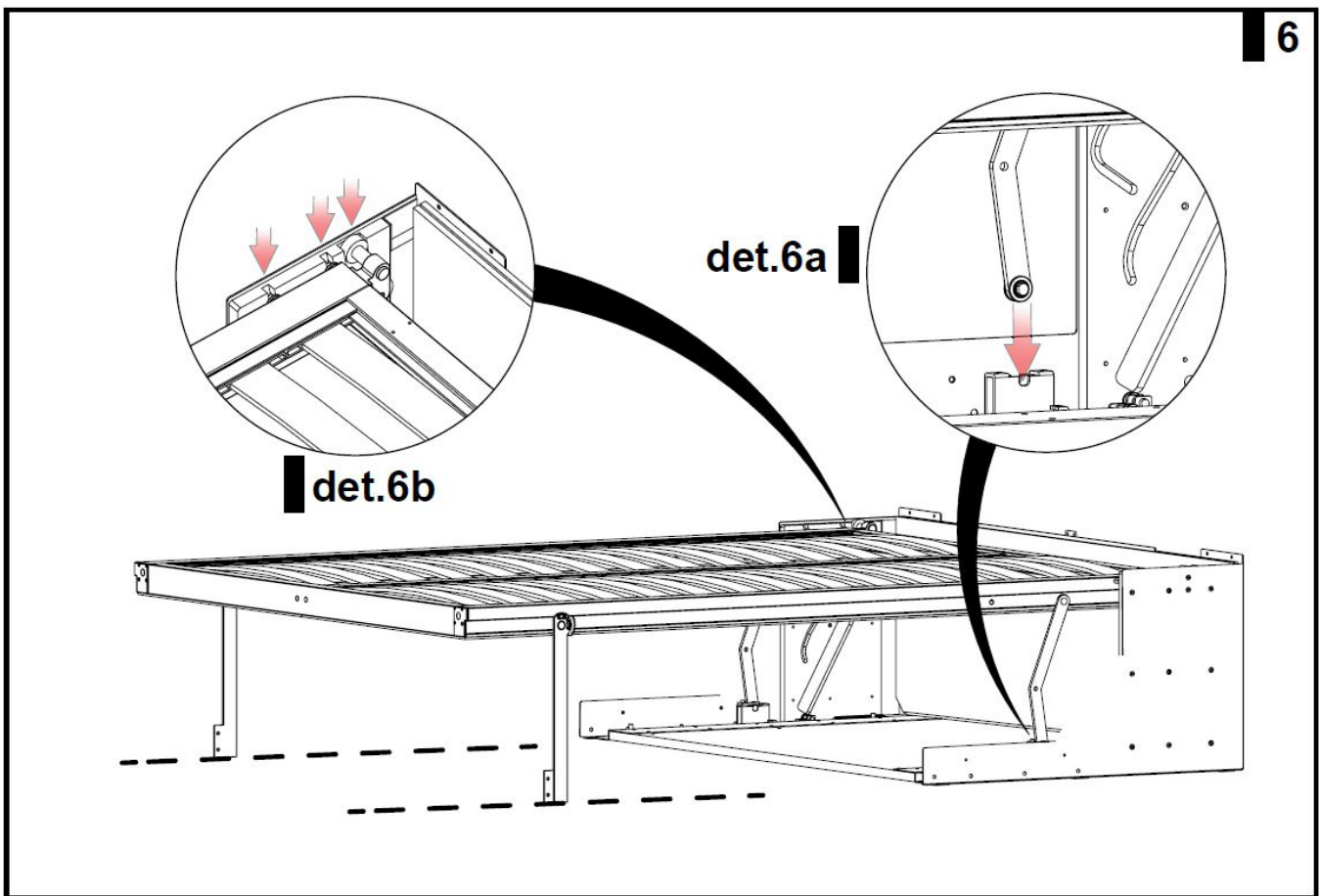
ASSEMBLY OF THE BED FRAME

IMAGE 6

Position the ⑧ bed frame within the structure as shown. Place the levers located near the head of the bed frame into their slots as shown in det. 6a, and re-attach the safety plates from Image 5.

Ensure that pins on the bedframe slide into the base of the structure as shown in det. 6b.

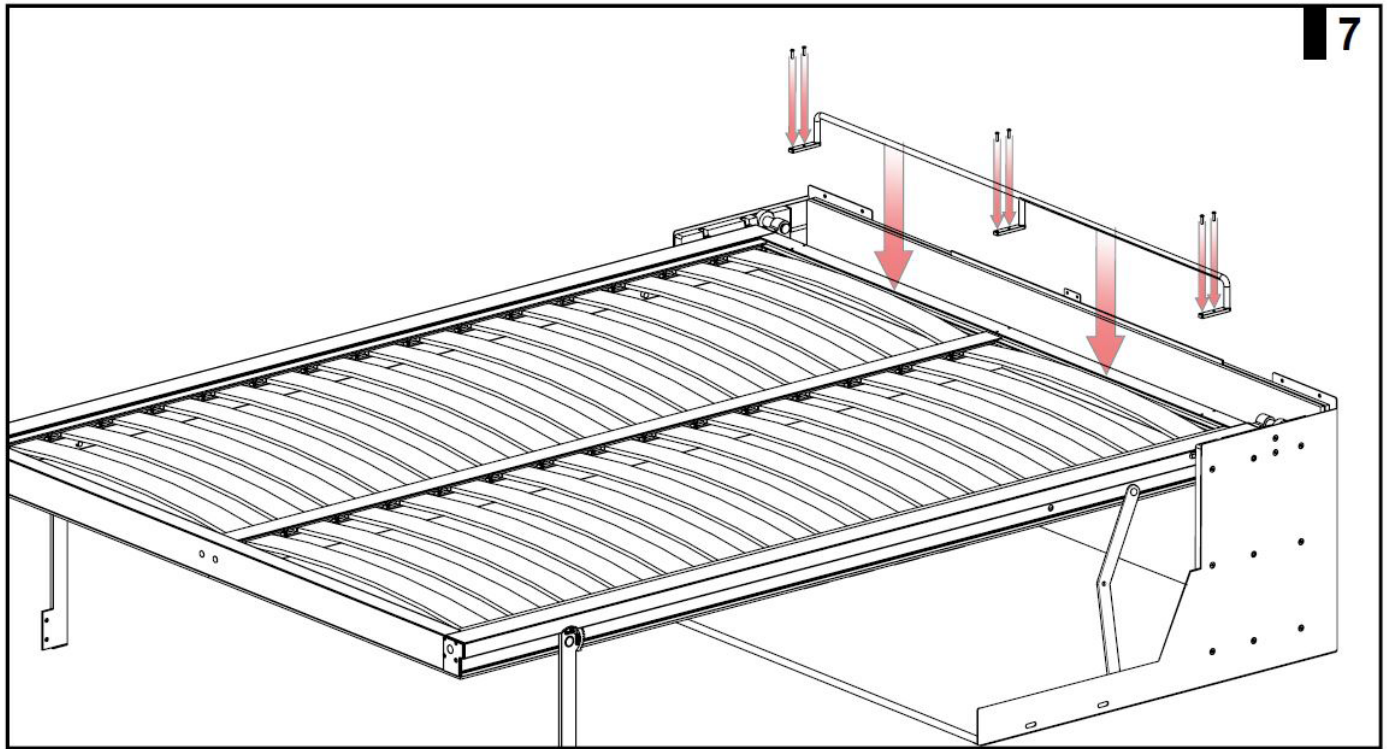
Note: It is recommended to lay out a blanket/towel around the work area, under the bedframe, so that the metal feet do not scratch the floor.



ASSEMBLY OF THE BED FRAME

IMAGE 7

Attach the ⑨ mattress support bar to the bed frame using six ⑤ screws.

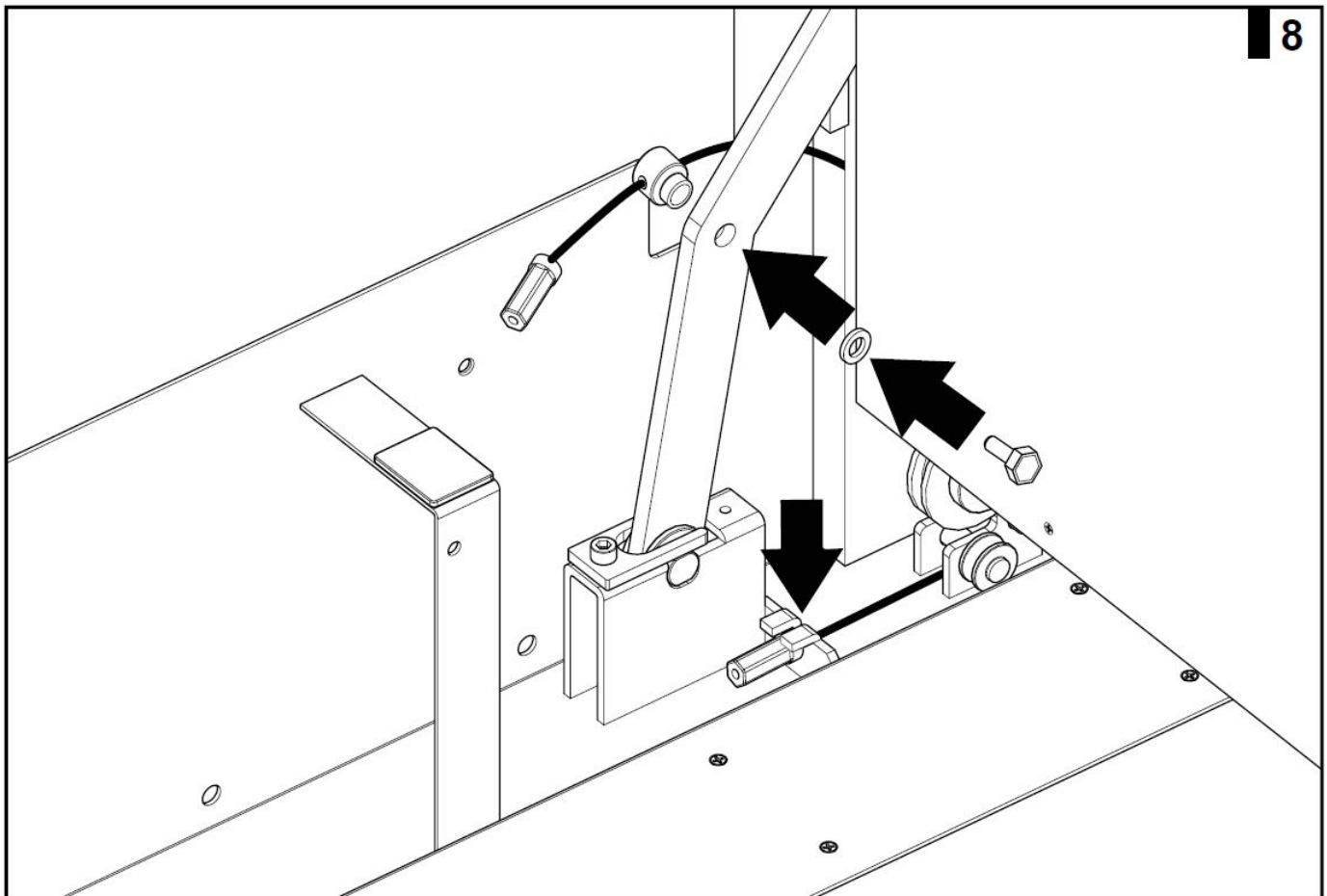


ASSEMBLY OF THE BED FRAME

IMAGE 8

Lift the ⑧ bed frame into its upright vertical position.

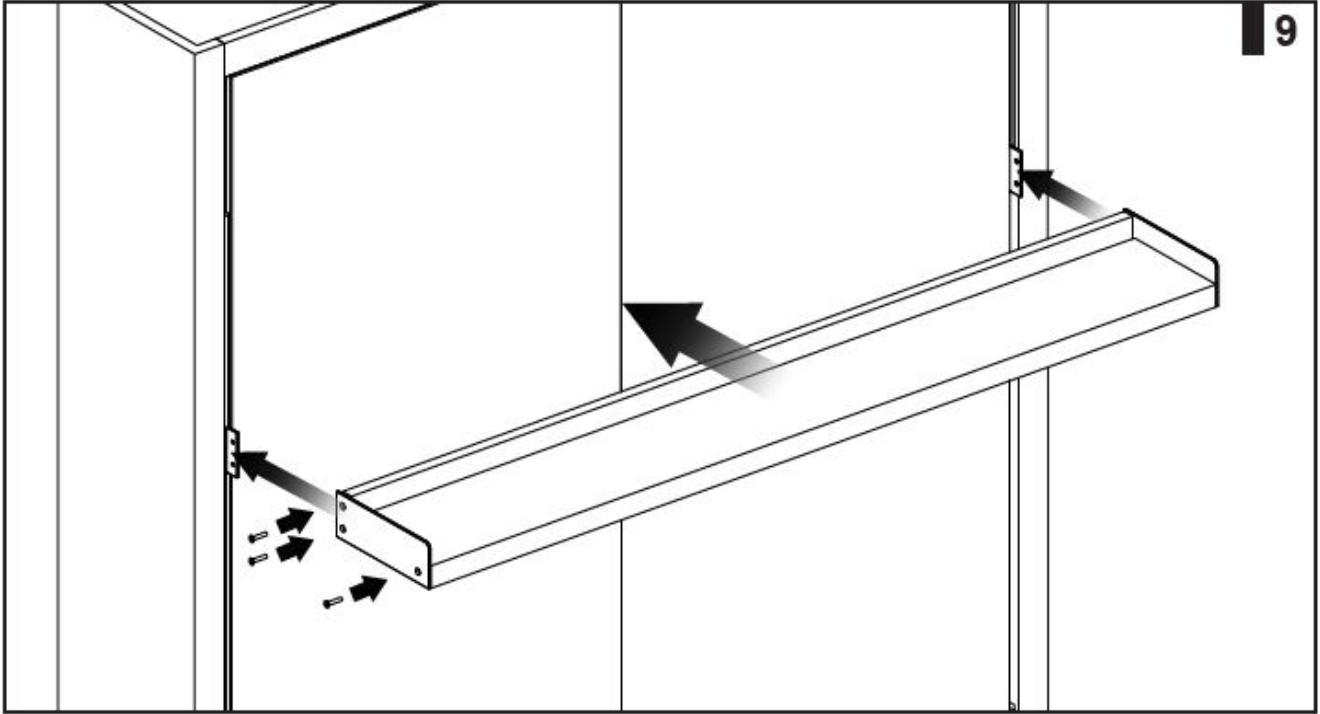
Screw the base pin to the lever cords, leaving the screw on the outer side. Pass the cord under the pulleys on the base ④ and secure the pins on the appropriate seat.



ATTACHING THE SHELF

IMAGE 9

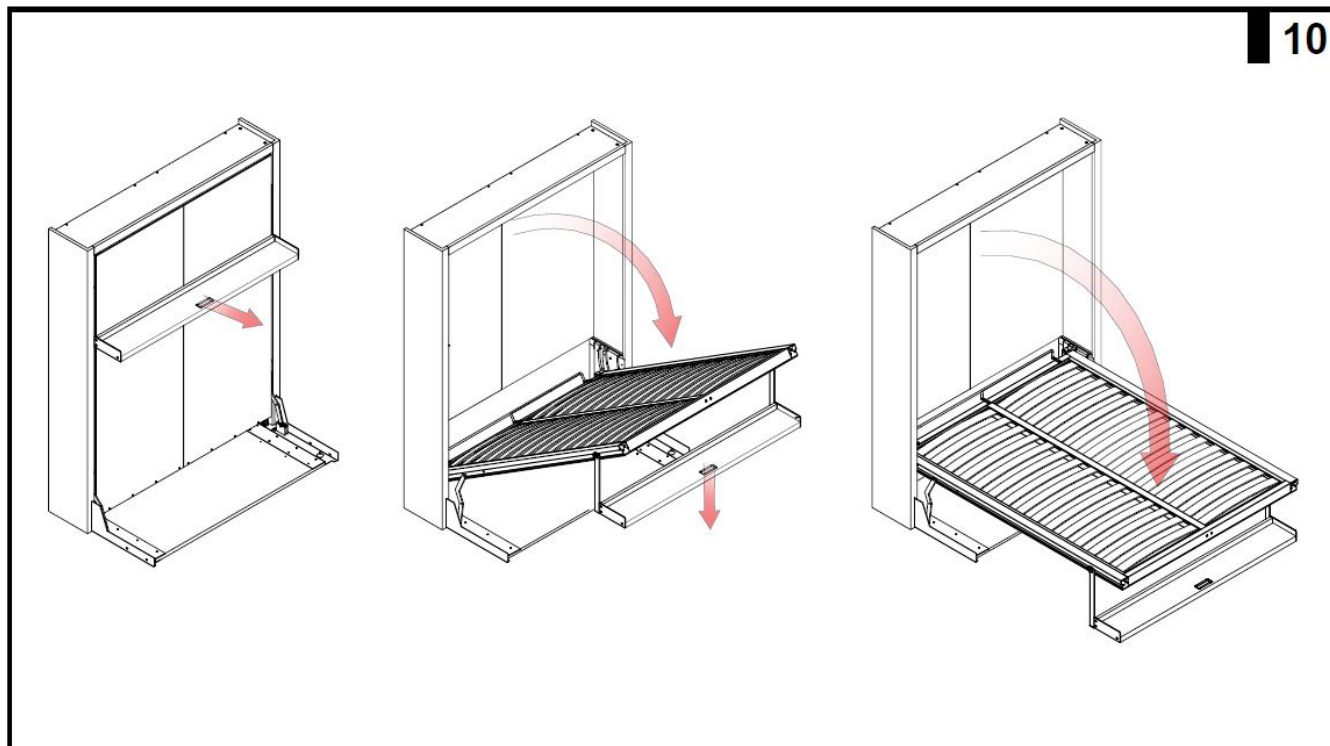
Attach the ⑩ shelf to the feet of the bedframe, using the 6 screws attached to the shelf, as shown.



OPENING THE BED

IMAGE 10

Grasp the handle in the center of the shelf and pull down the bed, gently accompanying the bed with both hands until it reaches the ground.

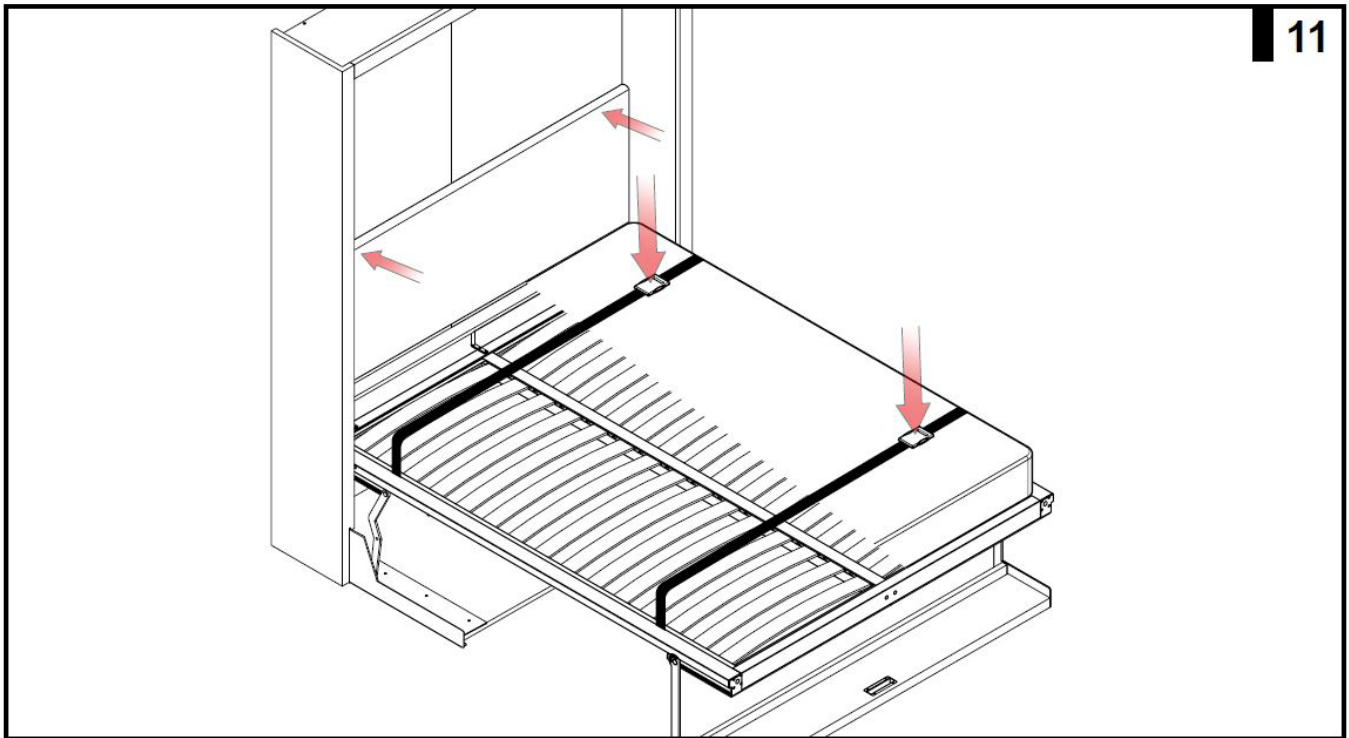


ASSEMBLY OF THE BED & HEADBOARD

IMAGE 11

Attach the headboard (if purchased by client) to the back of the structure.

Secure the mattress to the bedframe by fastening the two buckled straps.

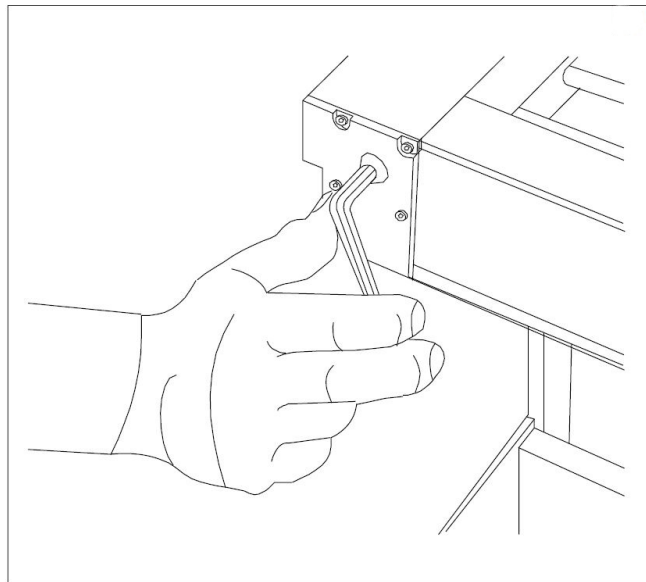
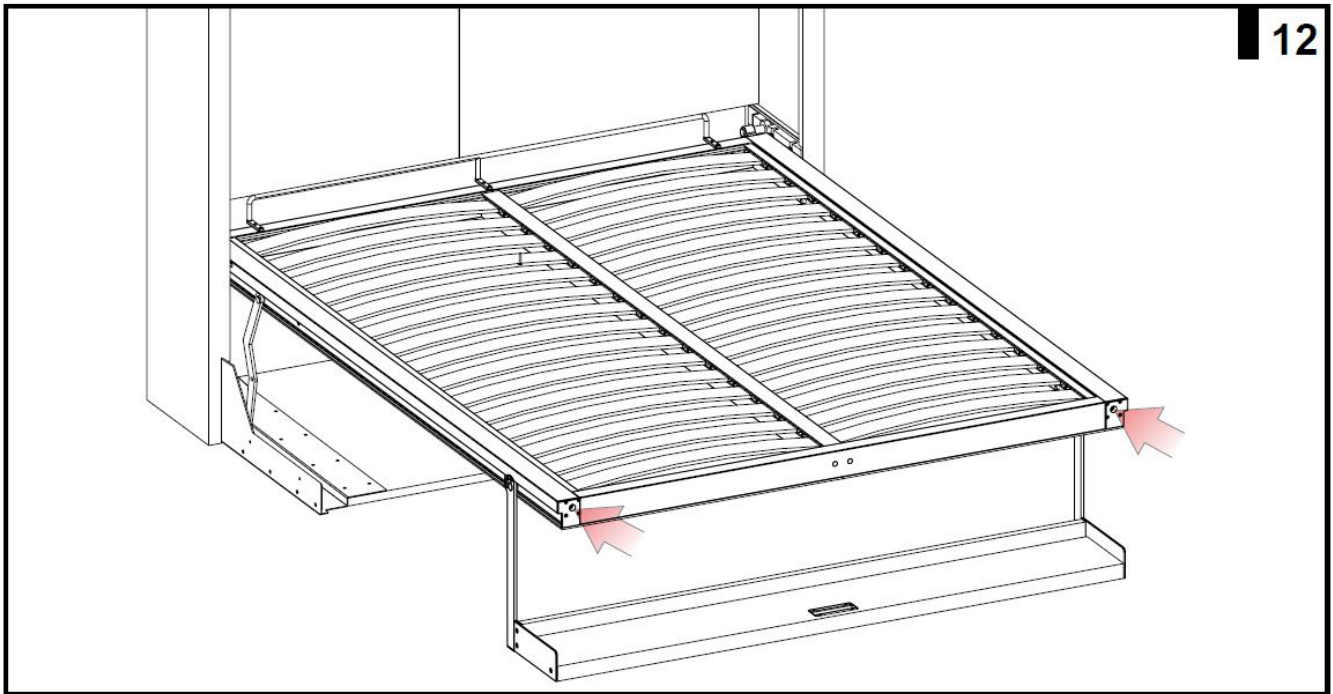


ASSEMBLY OF THE BED

IMAGE 12

To balance the bedframe, adjust the spring tension controllers with the 8mm allen wrench provided. Turn clockwise to adjust the tension in order to close the bed with ease. ensuring that **each side of the bed-frame is adjusted equally**.

Note: An excessive number of turns may damage the cable.



ASSEMBLY OF THE BOISERIE PANELS

IMAGE 15

Insert and fasten the (M) metal shelf pins into the holes on the (11A) boiserie panel using 2 (N) bolts each.

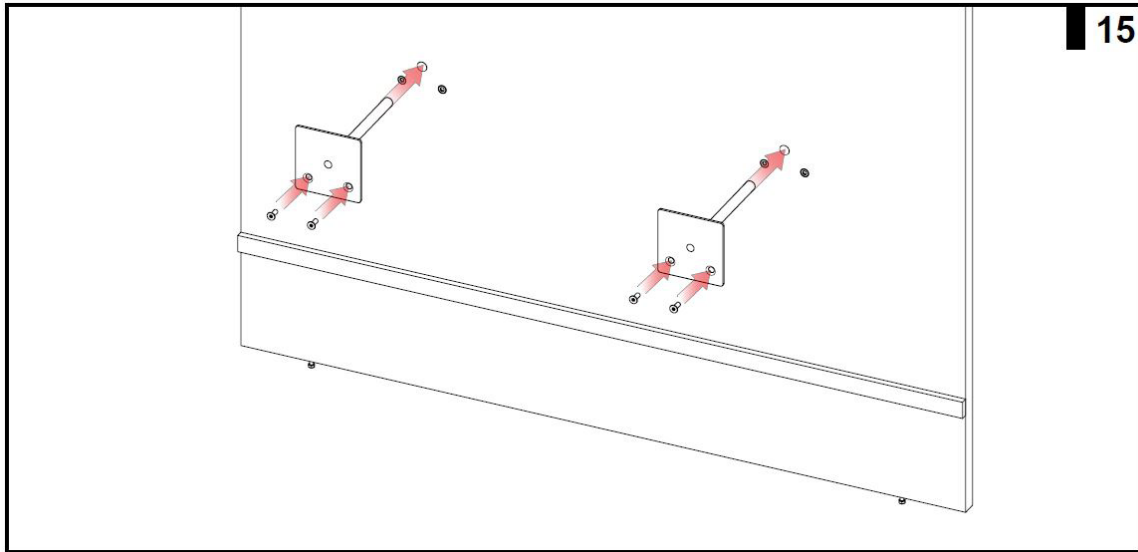


IMAGE 16

Place the boiserie panel next to the bed and ensure panel is level and plumb. Attach the (O) wall bracket to the wall using the (P) wall anchors provided. Then, hang the (11A) boiserie panel on the bracket.

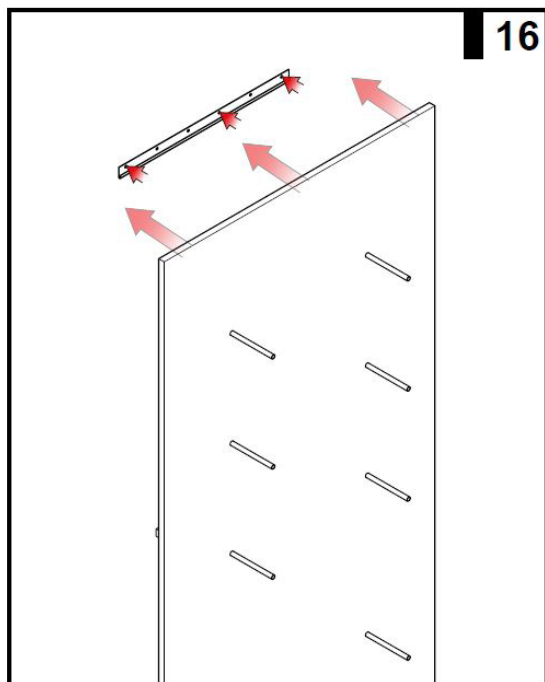
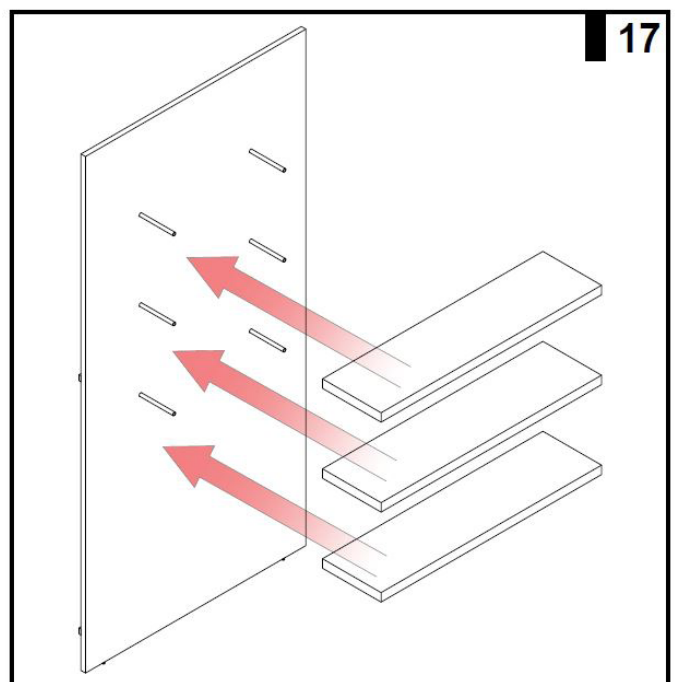


IMAGE 17

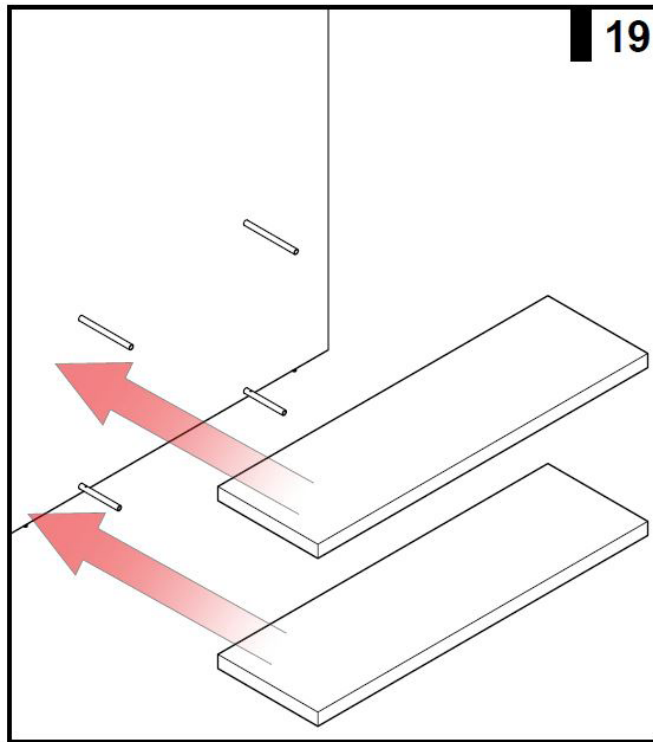
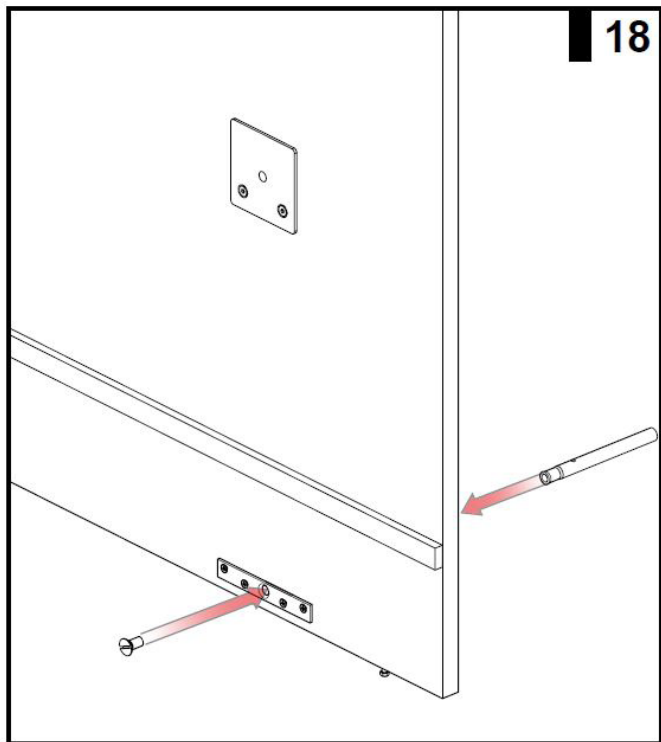
Slide the boiserie shelves (11B) over the (M) metal shelf pins.



ASSEMBLY OF THE BOISERIE PANELS

IMAGE 18 & 19

Insert and fasten the (M) bottom metal shelf pins into the holes on the (11A) boiserie panel. Slide the bottom boiserie shelves over the pins.



INSTALLATION OF THE SOFA

IMAGE 20

Remove and rotate the (11) sofa storage box, as shown.

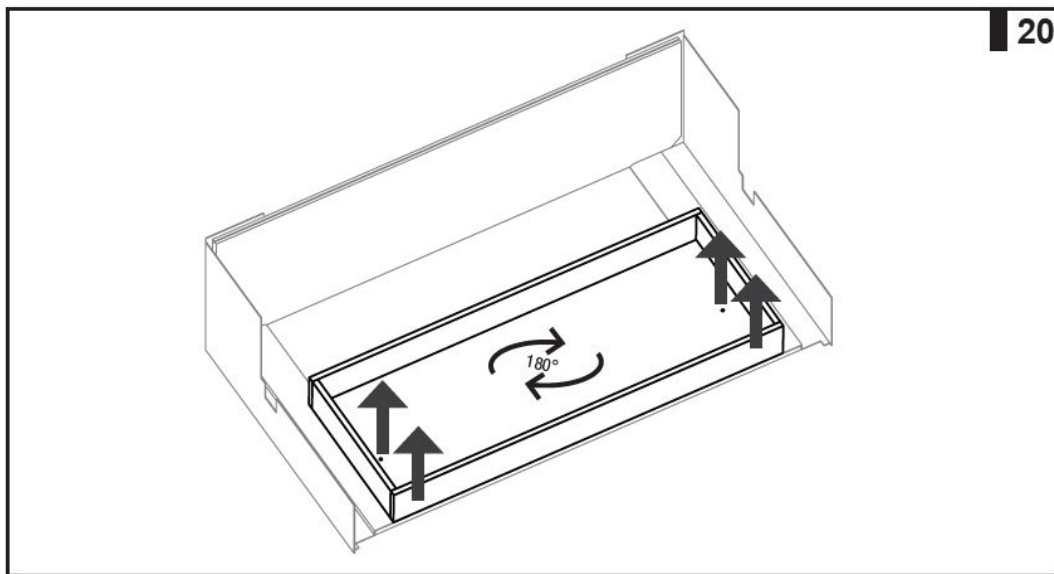


IMAGE 21

Attach the (11) sofa storage box to the (4) base using 4 (K) screws.



INSTALLATION OF THE SOFA

IMAGE 22

Position the ⑫ padded sofa seat onto the base of the structure, as shown.

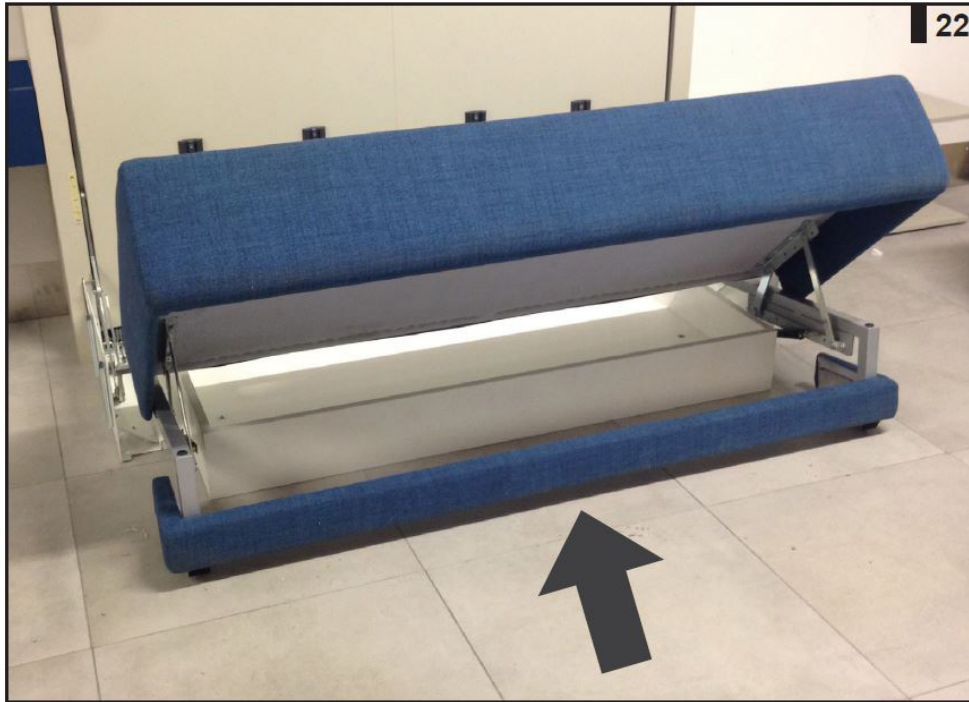
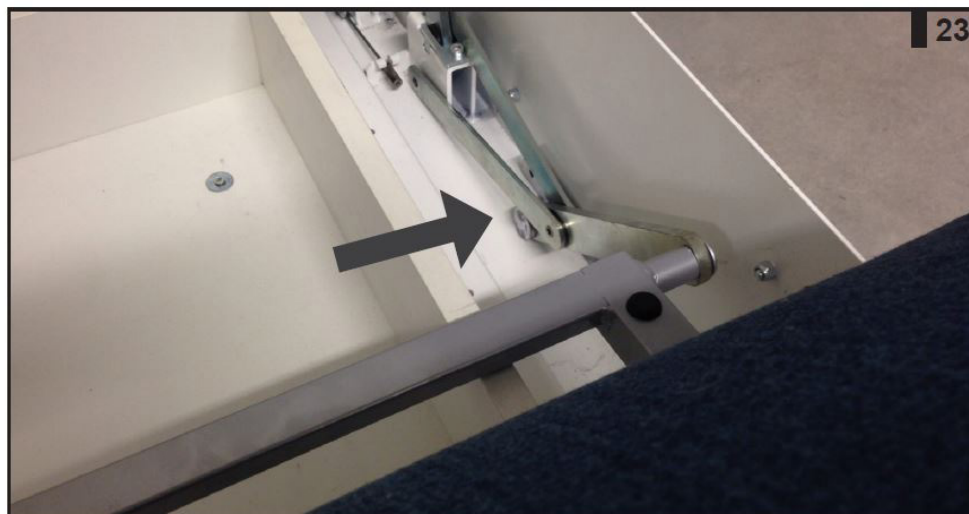


IMAGE 23

Ensure that the holes in the metal sofa seat levers align with the predrilled holes in the base of the structure.

Secure the levers on each side by inserting and tightening 2 ① screws. Screws should be inserted from the outside of the base.

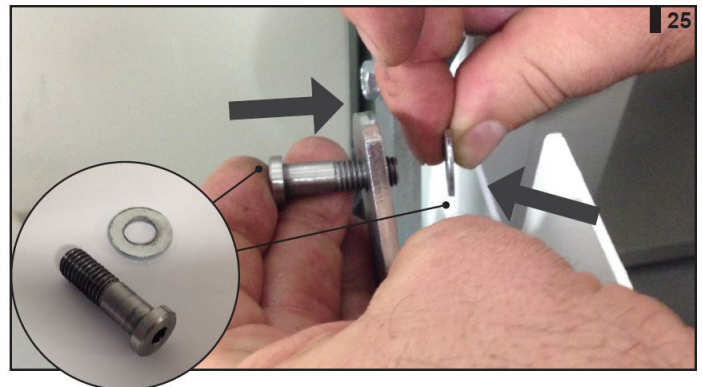


INSTALLATION OF THE SOFA

IMAGES 24 - 27

Pass the (G) screw through the levers as shown, placing a (J) washer between each lever.

Repeat on the opposite side.

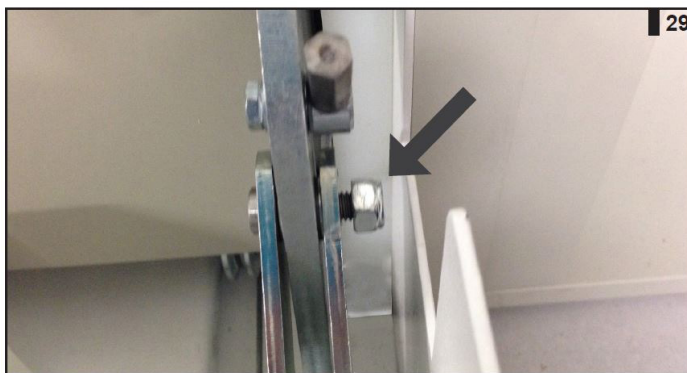
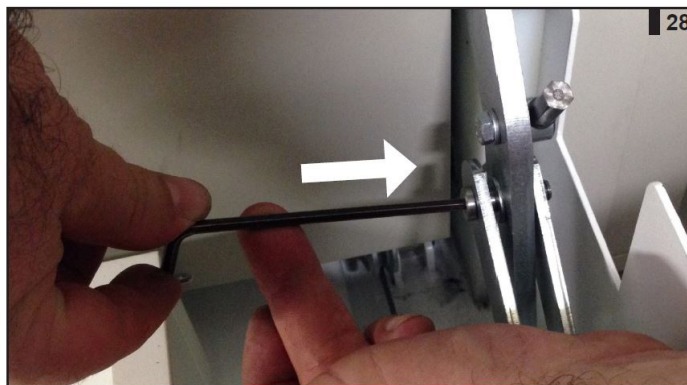


INSTALLATION OF THE SOFA

IMAGES 28 - 30

Tighten the (G) screw as shown and secure the levers together using 1 (H) nut.

Repeat on the opposite side.



INSTALLATION OF THE SOFA

IMAGE 32

Close the sofa seat, and attach the padded backrest to the structure by sliding it into the four tapered slots as shown.



INSTALLING THE ARMRESTS

IMAGES 34 & 35

Attach the (15) right and (16) left armrests to the base of the structure by sliding them into the metal tapers, as shown.

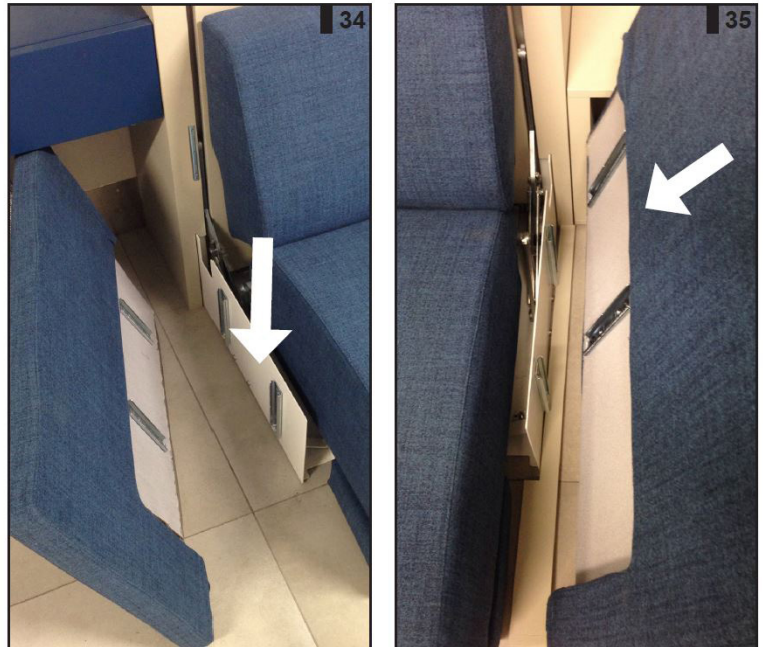
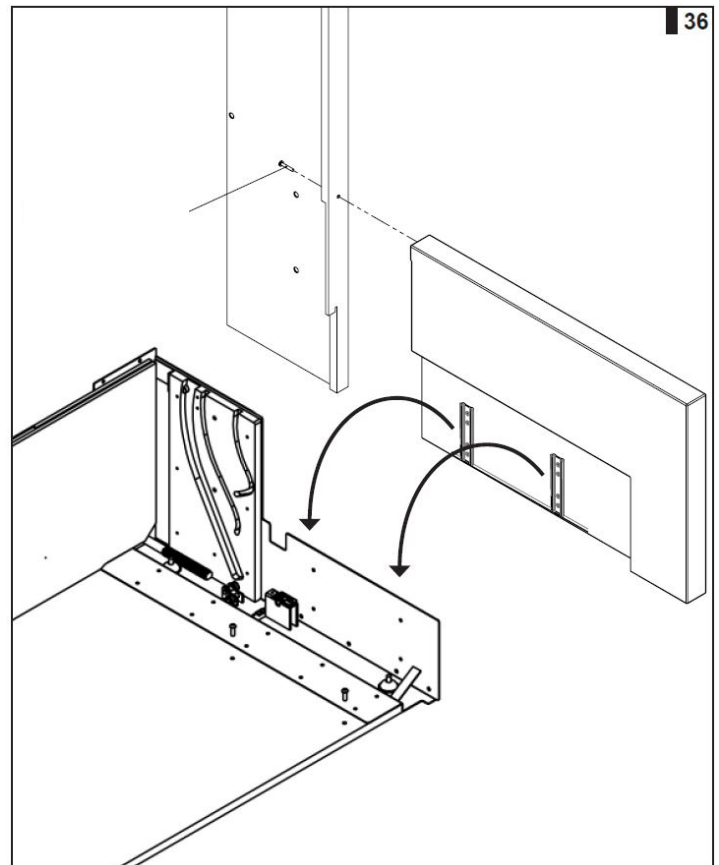


IMAGE 36 - 60mm ARMRESTS

If the client ordered 60mm (17) right and (18) left armrests, slide the armrests into the metal tapers on the base of the structure and secure the armrest by to the side panels on the frame of the structure, as shown.



INSTALLING THE SEAT & ARMRESTS

IMAGES 37-41

If the client ordered the Oslo with the extended sofa seat, attach the ⑬ seat to the sofa structure by sliding the seat into the metal tapers, as shown.



Then, attach the armrests to the structure.

